



Open Access

## Erratum: Mutation Analysis of *SPAST*, *ATL1*, and *REEP1* in Korean Patients with Hereditary Spastic Paraplegia

Tae-Hyoung Kim,<sup>a,b</sup> Jae-Hyeok Lee,<sup>a,b</sup> Young-Eun Park,<sup>a</sup> Jin-Hong Shin,<sup>a,b</sup> Tai-Seung Nam,<sup>c</sup> Hyang-Sook Kim,<sup>b</sup> Ho-Jung Jang,<sup>b</sup> Artem Semenov,<sup>b</sup> Sang Jin Kim,<sup>d</sup> Dae-Seong Kim<sup>a,b</sup>

<sup>a</sup>Department of Neurology, Pusan National University School of Medicine, Yangsan, Korea

<sup>b</sup>Research Institute for Convergence of Biomedical Science and Technology, Pusan National University Yangsan Hospital, Yangsan, Korea

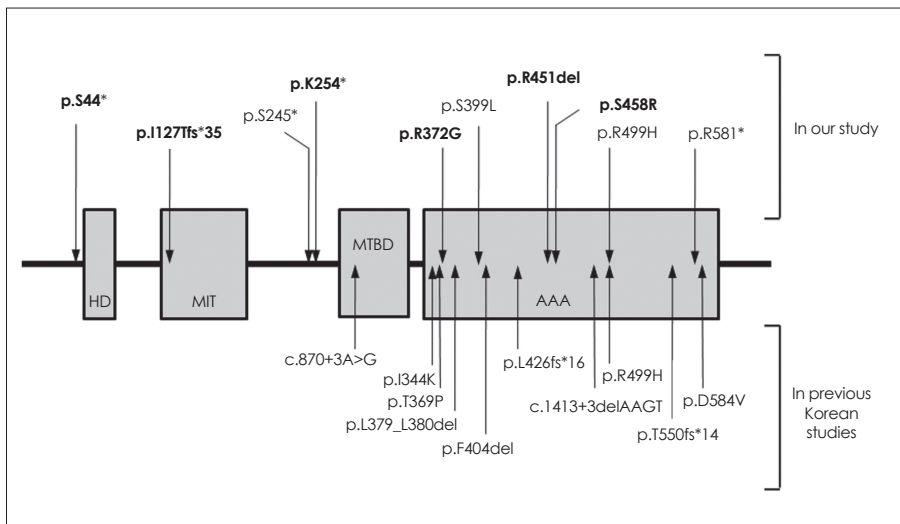
<sup>c</sup>Department of Neurology, Chonnam National University Hospital, Gwangju, Korea

<sup>d</sup>Department of Neurology, Busan Paik Hospital, Inje University College of Medicine, Busan, Korea

J Clin Neurol 2014;10(3):257-261

<http://dx.doi.org/10.3988/jcn.2014.10.3.257>

The publisher wishes to apologize for incorrectly displaying Fig. 1 and its legend. So corrected figure and its legend should be as follows;



**Fig. 1.** Organization of spastin and location of *SPAST* mutations identified in Korean HSP patients. \*Nonsense mutations. Novel mutations are shown in boldface. AAA: ATPases Associated with a wide variety of Activities, HD: hydrophobic domain, HSP: hereditary spastic paraplegia, MIT: microtubule interacting and trafficking domain, MTBD: microtubule binding domain.