

# Whole Transcriptome Analysis of the Effects of Type I Diabetes on Mouse Oocytes

Jun-Yu Ma<sup>1,2</sup>, Mo Li<sup>1</sup>, Zhao-Jia Ge<sup>1</sup>, Yibo Luo<sup>1</sup>, Xiang-Hong Ou<sup>1</sup>, Shuhui Song<sup>3</sup>, Dongmei Tian<sup>3</sup>, Jin Yang<sup>3</sup>, Bing Zhang<sup>3</sup>, Ying-Chun Ou-Yang<sup>1</sup>, Yi Hou<sup>1</sup>, Zhonghua Liu<sup>2</sup>, Heide Schatten<sup>4</sup>, Qing-Yuan Sun<sup>1\*</sup>

**1** State Key Laboratory of Reproductive Biology, Institute of Zoology, Chinese Academy of Sciences, Beijing, China, **2** College of Life Science, Northeast Agricultural University, Harbin, China, **3** CAS Key Laboratory of Genome Sciences and Information, Beijing Institute of Genomics, Chinese Academy of Sciences, Beijing, China, **4** Department of Veterinary Pathobiology, University of Missouri-Columbia, Columbia, Missouri, United States of America

## Abstract

In mouse ovarian follicles, granulosa cells but not oocytes take up glucose to provide the oocyte with nourishments for energy metabolism. Diabetes-induced hyperglycemia or glucose absorption inefficiency consistently causes granulosa cell apoptosis and further exerts a series of negative impacts on oocytes including reduced meiosis resumption rate, low oocyte quality and preimplantation embryo degeneration. Here we compared the transcriptome of mouse oocytes from genetically derived NOD diabetic mice or chemically induced STZ diabetic mice with that of corresponding normal mice. Differentially expressed genes were extracted from the two diabetic models. Gene set enrichment analysis showed that genes associated with metabolic and developmental processes were differentially expressed in oocytes from both models of diabetes. In addition, NOD diabetes also affected the expression of genes associated with ovulation, cell cycle progression, and preimplantation embryo development. Notably, *Dnmt1* expression was significantly down-regulated, but *Mbd3* expression was up-regulated in diabetic mouse oocytes. Our data not only revealed the mechanisms by which diabetes affects oocyte quality and preimplantation embryo development, but also linked epigenetic hereditary factors with metabolic disorders in germ cells.

**Citation:** Ma J-Y, Li M, Ge Z-J, Luo Y, Ou X-H, et al. (2012) Whole Transcriptome Analysis of the Effects of Type I Diabetes on Mouse Oocytes. PLoS ONE 7(7): e41981. doi:10.1371/journal.pone.0041981

**Editor:** Massimo Pietropaolo, University of Michigan Medical School, United States of America

**Received:** March 20, 2012; **Accepted:** June 27, 2012; **Published:** July 24, 2012

**Copyright:** © 2012 Ma et al. This is an open-access article distributed under the terms of the Creative Commons Attribution License, which permits unrestricted use, distribution, and reproduction in any medium, provided the original author and source are credited.

**Funding:** This study was supported by the National Basic Research Program of China (2012CB944404, 2011CB944501) and National Natural Science Foundation of China (No. 30930065) to QYS. The funders had no role in study design, data collection and analysis, decision to publish, or preparation of the manuscript.

**Competing Interests:** The authors have declared that no competing interests exist.

\* E-mail: sunqy@ioz.ac.cn

## Introduction

It has been estimated that diabetes affects 6.4% of adults (285 million) worldwide by 2010, and this number is expected to increase to 7.7% by 2030 [1]. Diabetes not only affects the health of adults, but maternal diabetes also affects female factor fertility including oocyte maturation and ovulation, and even embryonic and fetal development [2,3]. To investigate the effects of diabetes on oocytes, experimental animal models were utilized; streptozotocin administration induced diabetes mice (STZ mice) and genetically derived non-obese diabetic mouse strains (NOD mice) are the most commonly used models for diabetes studies [2]. Diabetes of STZ mice is the result of damage of pancreatic beta-cells induced by streptozotocin administration [4], while diabetes of NOD mice is the result of attacks on the islets by cells of the immune system [5,6]. Both STZ and NOD diabetic mice are insulin-dependent diabetes mellitus, also known as type 1 diabetes, which induces mouse hyperglycemia and causes a series of metabolism-related disorders [2].

During growth and maturation, oocytes need to accumulate sufficient maternal components, and then need to accurately complete meiosis and ovulation before fertilization. Compared with the surrounding somatic granulosa cells, the oocyte itself displays a low ability to absorb glucose while energy substrate acquisition of oocytes strongly relies on the surrounding granulosa

cells by gap junctions [7]. Granulosa cells, unlike oocytes, express a high glucose-affinity glucose transporter protein, termed SLC2A4 [solute carrier family 2 (facilitated glucose transporter), member 4], and display insulin-sensitive features [8], indicating that insulin or insulin-like growth factor may play a role in glucose transport in granulosa cells, and may indirectly affect the oocyte's energy metabolism. Conversely, oocytes secreting BMP15 and FGFs cooperate to stimulate the glucose metabolic processes of granulosa cells [9], indicating that a metabolic feedback loop may exist between oocytes and granulosa cells. Early reports showed that diabetes not only induced apoptosis of granulosa cells, but also reduced the meiosis resumption rate of oocytes [10]. Recently, reports focusing on the mechanisms underlying diabetes effects on oocyte quality showed that cell-cell communication was reduced between oocyte and cumulus cells in diabetic mice [11]. In addition, diabetes also induced oocyte mitochondrial dysfunction, which not only impairs the oocyte's energy metabolism but also activates the apoptosis pathway [3,12].

In mammalian reproduction, sperm does not play a significant role in early embryo development but contributes DNA and activates the egg [13] while materials and energy for cleavage stage embryogenesis are mainly provided by oocytes. Reports showed that during preimplantation embryo development, most embryos of NOD diabetic mice degenerated [14]. In addition,

developmental delay of early embryos was also identified in both chemically induced and in genetic diabetic mice [2,14,15,16].

Although the negative effects of diabetes on female fertility are well recognized, we know little about the mechanisms by which metabolic disorders affect oocyte quality and early embryo developmental potential. For that, by using STZ diabetic mice and NOD diabetic mice as models, we compared the transcriptomes of diabetic mouse oocytes with that of normal mouse oocytes.

**Methods**

**Ethics Statement**

This study was approved by the Animal Research Committee of the Institute of Zoology, Chinese Academy of Sciences. All animal manipulations were according to manual of Animal Research Committee. Details of animal welfare and steps taken to ameliorate suffering are included in the section about oocyte collection.

**Diabetes Mouse Models and Oocyte Collection**

For the construction of diabetes model mice, 8–12 weeks old mice were used, and STZ diabetic ICR strain mice were produced according the methods of Bonnevie-Nielsen [17]. The NOD spontaneous diabetic mice were purchased from Experimental Animal Facility of Nanjing University. All ICR and NOD mice with a blood glucose concentration more than 22 mM were used as diabetes model mice, and those with a blood glucose concentration less than 8 mM were used as control (5–10 mice for each group). Both diabetic and normal mice were superovulated by injecting 5U PMSG followed by

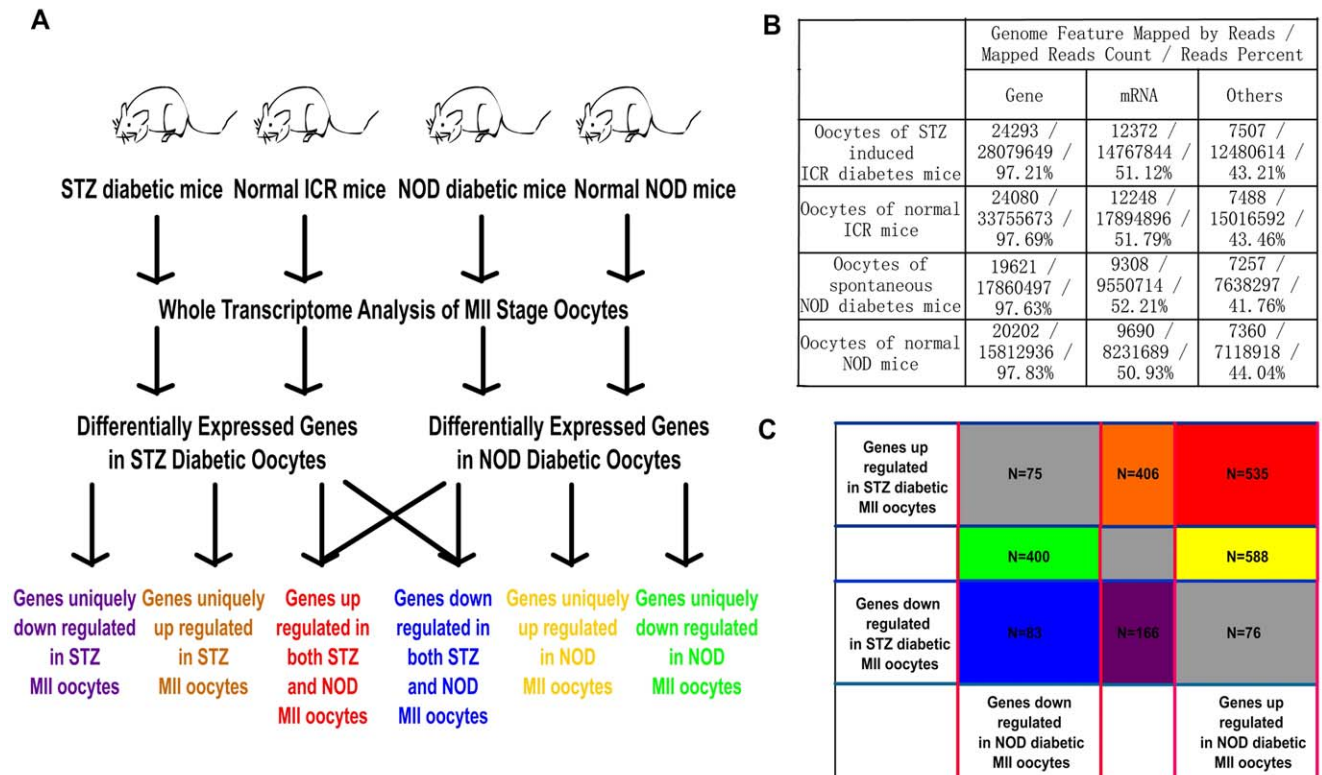
5U hCG 48 hours later. Cumulus oocyte complexes were collected 14 hours post-hCG injection, and oocytes at the metaphase of the second meiosis (MII) stage were separated from cumulus cells by hyaluronidase treatment and used for transcriptome analysis.

**SOLiD Sequencing Library Preparation and Quantitative RT-PCR Validation**

The library preparation procedure mainly references the protocol of Saitou [18] and protocol provided by Applied Biosystems website (<http://www.appliedbiosystems.com>). The procedure is briefly summarized as follows. Each 15 oocytes were lysed in one tube and the total mRNAs were reversely transcribed to cDNAs by universe primer 1 (UP1) adaptor primers containing 24 bp oligo(dT) sequence. The remaining primers were removed and poly(A) tails to the 3' terminal of the cDNAs were added. Universe primer 2 (UP2) primers containing 24 bp oligo(dT) were used for the synthesis of the second cDNA strand. The double strand cDNA library was amplified by UP1 and UP2 for 18 cycles, and by amine-blocked UP1 and UP2 for 14 cycles. The final amplified cDNA libraries were sent to Genome institute of Beijing and sequenced by Applied Biosystem SOLiD sequencing system. Quantitative RT-PCR was performed to evaluate the RNA sequencing results (Fig S1), primers used in RT-PCR were listed in Table S1.

**Whole Transcriptome Sequencing and Data Analysis**

Total cDNAs were sequenced by SOLiD system and sequencing reads were mapped to mouse genome to extract the whole transcriptome information of oocytes. Mapped reads data were



**Figure 1. Gene expression profiles in STZ and NOD diabetic mouse models.** (A) Schematic illustration of the experimental procedure. (B) Statistics of transcriptome sequencing results. (C) Counts of differentially expressed genes in STZ and NOD diabetic mouse MII oocytes. doi:10.1371/journal.pone.0041981.g001

analyzed by DEGseq package [19]. Firstly, we divided the detected genes with corresponding reads count more than 10, into two groups: highly expressed genes (corresponding reads counts more than 1/10 of the mean value of all detected genes reads counts) and lowly expressed genes (reads counts less than 1/10 of the mean value). Secondly, fold change selection method was used for differentially expressed genes selection. For highly expressed genes, whose  $\log_2$  (fold change) values bigger than 0.8 or less than  $-0.8$  were selected as up-regulated genes or down-regulated genes. For lowly expressed genes, the selection standard was set at 2 to reduce the false positive rate, and genes  $\log_2$  (fold change) values bigger than 2 or less than  $-2$  were selected as up-regulated genes or down-regulated genes, respectively. Fisher exact test was used for differentially expressed genes biological processes enrichment analysis [20]. KEGG pathway graphs were created from KEGG color map website. SOLiD sequencing data was submitted to SRA with accession id: SRA037765. All R scripts can be obtained on request.

## Results

### Screening Differentially Expressed Genes in Diabetic Mouse Oocytes

To compare the oocyte transcriptomes of diabetic and normal mice, STZ and NOD diabetic mice were used as diabetes models. MII stage oocytes were isolated from diabetic model mice and corresponding normal mice. Total mRNAs were extracted and used for SOLiD whole transcriptome analysis (Figure 1A). Sequenced mRNA reads were mapped to mouse genome, and the reads number mapped to each transcript was used to represent the expression level of the transcript (Figure 1B). As a result, 16457 genes were detected in all samples, in which the reads number of 8792 genes was more than 10.

By the selection standards described in the methods, we found that the mRNA levels of 1199 genes were up-regulated and 658 genes were down-regulated in NOD diabetic oocytes, whereas mRNA levels of 1016 genes were up-regulated and 325 genes were down-regulated in STZ diabetic oocytes. Among these, 535 genes' transcription was up-regulated and 83 genes' transcription was down-regulated in both STZ and NOD diabetic oocytes (Figure 1C). All differentially expressed genes in STZ diabetic oocytes and NOD diabetic oocytes are listed in Dataset S1. To evaluate the quality of the sequencing method, some differentially expressed genes were re-analyzed by quantitative RT-PCR. As a result, the RNA sequencing and RT-PCR correlation values of the STZ group and NOD group were both more than 0.97 (Figure 2), which reflected the reliability of high-throughput sequencing technology.

### The Effects of Diabetes on Biological Processes of Mouse Oocytes

The effects of diabetes on oocytes from the two models were analyzed by gene set enrichment analysis. By our methods, we found that STZ-induced diabetes mainly up-regulated the transcription of genes associated with the metabolic biological processes, such as molecular metabolic process, nitrogen compound metabolic process and oxidation-reduction process. The genes whose mRNAs decreased in STZ diabetes oocytes were enriched in proliferation, development, chemical stimulus response and biological quality regulation-associated processes (Table S2).

Compared to STZ-induced diabetes, spontaneous NOD diabetes caused more severe effects on oocytes. Not only enriched in metabolic processes, up-regulated mRNAs in NOD diabetic

oocytes were also enriched in processes like cell cycle, translation initiation, chromosome segregation, and ovulation cycle process (Table 1). In addition to the similar effects induced by STZ diabetes, down-regulated mRNAs in oocytes from NOD diabetic mice were also enriched in processes such as transmembrane transport, sexual reproduction, embryo implantation, cell adhesion, and cell communication (Table 2).

To find the common features of diabetes mouse oocytes, we obtained the gene lists of up- or down-regulated mRNAs in both diabetic models. Results showed that genes whose mRNAs up-regulated in both diabetic models were enriched in numerous biological processes including protein activation cascade, biosynthetic process, cellular metabolic process, cellular component movement, macromolecule metabolic process, primary metabolic process, and activation of immune response. Whereas down-regulated mRNAs in both diabetic models were enriched in biological processes including response to chemical stimulus, multicellular organism development, hormone metabolic process, anatomical structure development, biosynthetic process, nitrogen compound metabolic process, neurotrophin production, vesicle-mediated transport, and anatomical structure arrangement.

### The Effects of Diabetes on Cell Cycle-associated Genes in Mouse Oocytes

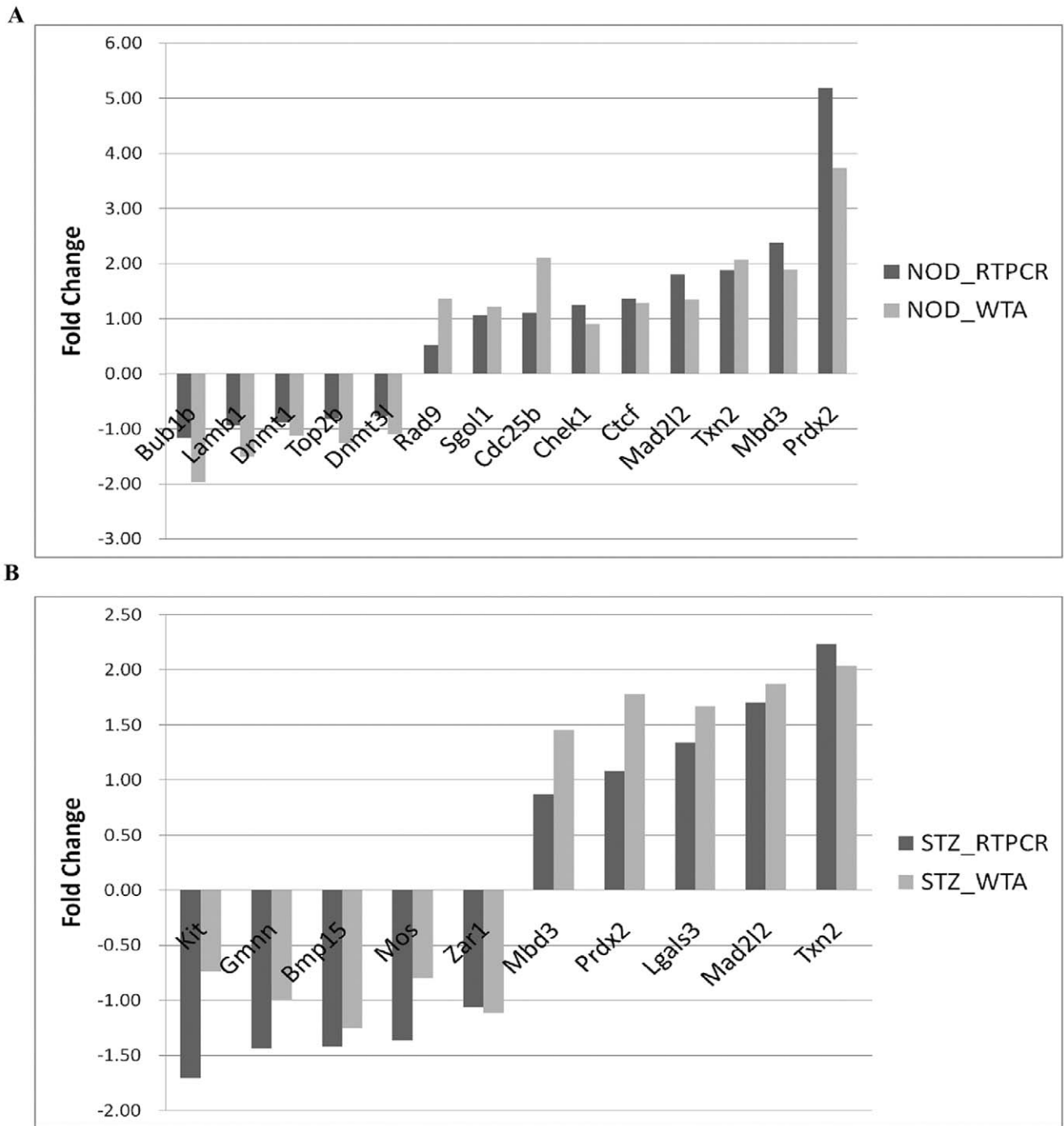
To find the details on how diabetes affects meiosis progression of mouse oocytes and further post-fertilization embryo cleavage, KEGG color map was created (Figure 3). From the KEGG meiosis pathway we can see that genes like mitogen-activated protein kinase 1 (Mapk1), and MAD2 mitotic arrest deficient-like 2 (Mad2l2) were up-regulated in diabetic mouse oocytes, whereas Moloney sarcoma oncogene (Mos) and Securin (Pttg1) were down regulated. Genes differentially expressed in diabetic mouse oocytes which associated with meiosis or cell cycle processes are listed in Dataset S2.

### Cellular Localization Enrichment of Differentially Expressed Genes in both STZ and NOD Diabetic Mouse Oocytes

To find the cellular localization of differentially expressed genes in both diabetic models, cellular component enrichment was analyzed by our GO slim methods [21]. Results showed that 89 genes whose mRNA levels were significantly changed in both diabetic oocytes were localized in mitochondria (Fisher exact test  $p$  value  $<0.01$ ); all cellular components which differentially expressed genes enriched in NOD and STZ mouse oocytes are listed in Table S3.

### Diabetes Affects Dnmt1 and Mbd3 Transcription in MII Oocytes

DNA methyltransferase 1 (Dnmt1), which is critical for the maintenance of DNA methylation during DNA replication [22]. The mRNA of Dnmt1 was down-regulated in both STZ and NOD diabetic MII oocytes. Genes for *de novo* DNA methylation (Dnmt3a, Dnmt3b, and Dnmt3l) expressed normally in STZ diabetic oocytes, but mRNAs of Dnmt3b and Dnmt3l were significantly down-regulated in NOD diabetic oocytes. In addition, we found that mRNAs of key methyl-CpG binding (Mbd) proteins were up-regulated in both STZ (Mbd3 and Mbd5) and NOD (Mbd2 and Mbd3) diabetic oocytes. The epigenetics-associated genes differentially expressed in two types of diabetic mouse oocytes are listed in Dataset S3.



**Figure 2. Quantitative RT-PCR validation of the transcriptome sequencing results.** STZ (A) and NOD (B) diabetic MII oocytes transcriptome data were both evaluated by qRT-PCR. Correlation coefficient of the two experiment groups were 0.974 (STZ group) and 0.971 (NOD group), respectively.

doi:10.1371/journal.pone.0041981.g002

**Discussion**

**Diabetes Affects Oocyte Maturation and Oocyte Quality**

Communication between oocytes and cumulus cells is critical for oocyte meiosis resumption and ovulation [23,24,25,26]. Our results showed that genes significantly changed in NOD diabetic mouse oocytes were enriched in cell-cell communication, and most of which were down-regulated, indicating that diabetes weakens

the communication between oocyte and cumulus cells. In addition, Bmp15 and Kit, which consisted of a negative feedback network regulating granulosa cell division [27], were down-regulated in STZ diabetic mouse oocytes, which may affect COC response to the LH, and further impair meiosis progression and oocyte ovulation [28].

Our results showed that diabetes strongly changed the transcription of cell cycle associated genes (Dataset S2). The

**Table 1.** Gene set enrichment analysis of genes up regulated in NOD diabetes mice oocytes.

GO Acc	GO Term	P-value
GO:0044237	cellular metabolic process	0.000
GO:0044238	primary metabolic process	0.000
GO:0043170	macromolecule metabolic process	0.000
GO:0002253	activation of immune response	0.000
GO:0072376	protein activation cascade	0.000
GO:0044281	small molecule metabolic process	0.000
GO:0009056	catabolic process	0.000
GO:0006955	immune response	0.001
GO:0006807	nitrogen compound metabolic process	0.001
GO:0071841	cellular component organization or biogenesis at cellular level	0.001
GO:0006950	response to stress	0.001
GO:0050789	regulation of biological process	0.001
GO:0009058	biosynthetic process	0.002
GO:0016043	cellular component organization	0.002
GO:0045184	establishment of protein localization	0.003
GO:0051707	response to other organism	0.004
GO:0007155	cell adhesion	0.011
GO:0002252	immune effector process	0.011
GO:0048869	cellular developmental process	0.016
GO:0009628	response to abiotic stimulus	0.016
GO:0022402	cell cycle process	0.017
GO:0065009	regulation of molecular function	0.019
GO:0044085	cellular component biogenesis	0.022
GO:0007049	cell cycle	0.025
GO:0006413	translational initiation	0.025
GO:0007059	chromosome segregation	0.026
GO:0022602	ovulation cycle process	0.026
GO:0065008	regulation of biological quality	0.027
GO:0055114	oxidation-reduction process	0.030
GO:0051656	establishment of organelle localization	0.038
GO:0033002	muscle cell proliferation	0.038
GO:0021700	developmental maturation	0.042
GO:0051301	cell division	0.046
GO:0009607	response to biotic stimulus	0.046
GO:0042698	ovulation cycle	0.048

doi:10.1371/journal.pone.0041981.t001

resumption of oocyte meiosis is mainly dependent on the activity of maturation promoting factor (MPF), which includes the regulatory subunit Ccnb1 and the catalytic subunit Cdk1 [29]. In our transcriptome data, the transcription of many MPF upstream genes was significantly changed in diabetic mice oocytes. For example, fizzy/cell division cycle 20 related 1 protein (Fzr1, also known as Cdh1) is a activator of anaphase promoting complex. The Fzr1 depleted oocytes can overcome the meiosis resumption inhibition by milrinone and promote the meiosis resumption of the not fully grown oocytes (diameter, 60–69  $\mu$ m). The increase of Ccnb1 in Fzr1 depleted oocytes indicates that Fzr1 is an upstream regulator of MPF [30]. The check point protein Bub1b (also known as BubR1) is also important for meiosis resumption. The Bub1b knocking down GV oocytes can partially breakthrough the 3-isobutyl-1-methylxanthine induced GV stage

arrest. Bub1b knocking down can also induce the decrease of Fzr1 in GV oocytes [31]. The mRNAs levels of Fzr1 decreased in both STZ and NOD diabetic oocytes, and mRNAs of Bub1b decreased significantly in NOD diabetic oocytes and slightly decreased in STZ diabetic oocytes. These results indicated that diabetic oocytes could not strictly control the meiosis resumption which might cause the low quality of oocytes. For NOD diabetic mouse oocytes, transcriptions of some key DNA damage responding genes were changed significantly. The genes whose transcriptions decreased in NOD diabetic oocytes included the base excision repair associated genes like Polb, Smug1, and Ccno, the double strand break repair associated genes like Smarca5, H2afx, Mms221, and Shfm1, the nucleotide excision repair associated Dchrela, and the single strand break repair associated Xrcc1. On the other hand, transcriptions of some DNA damage checkpoint genes were up regulated,

**Table 2.** Gene set enrichment analysis of genes down regulated in NOD diabetes mice oocytes.

GO Acc	GO Term	P-value
GO:0007275	multicellular organismal development	0.000
GO:0055085	transmembrane transport	0.000
GO:0001763	morphogenesis of a branching structure	0.000
GO:0048856	anatomical structure development	0.000
GO:0009653	anatomical structure morphogenesis	0.001
GO:0019953	sexual reproduction	0.003
GO:0006810	transport	0.003
GO:0019725	cellular homeostasis	0.004
GO:0016043	cellular component organization	0.006
GO:0042221	response to chemical stimulus	0.008
GO:0042445	hormone metabolic process	0.009
GO:0007389	pattern specification process	0.009
GO:0007566	embryo implantation	0.014
GO:0009790	embryo development	0.014
GO:0050900	leukocyte migration	0.015
GO:0048869	cellular developmental process	0.015
GO:0007155	cell adhesion	0.016
GO:0071841	cellular component organization or biogenesis at cellular level	0.016
GO:0007154	cell communication	0.017
GO:0051674	localization of cell	0.019
GO:0048870	cell motility	0.019
GO:0006928	cellular component movement	0.024
GO:0032504	multicellular organism reproduction	0.035
GO:0048609	multicellular organismal reproductive process	0.035
GO:0006950	response to stress	0.039
GO:0048646	anatomical structure formation involved in morphogenesis	0.041
GO:0035264	multicellular organism growth	0.048

doi:10.1371/journal.pone.0041981.t002

including Chek1, Rad9, Rad23b, Rad50, and Rad52. The DNA damage repair deficiency and higher expression of DNA damage check point genes may explain why the quality and maturation rates are lower in diabetic oocytes.

During oocyte maturation, mitochondria are important organelles for oocyte quality. Previous data have shown that maternal diabetes could cause the dysfunction of mitochondria, including mtDNA increase, narrowed intermembrane space, rupture of the outer membrane, decreased ATP yield, and induced decrease of tricarboxylic acid metabolites such as citrate, aspartate, and malate [12]. Here we found that expression of 89 mitochondria-associated genes was significantly changed in oocytes from both diabetic models, among which only four genes were down-regulated. These results may be caused by the increased number of mitochondria in diabetic oocytes. The increase in metabolic enzymes such as phosphoinositide dependent kinase 1 (Pdk1) may affect the metabolic processes during subsequent preimplantation embryo development.

### Diabetes Affects the Energy Production of Oocytes

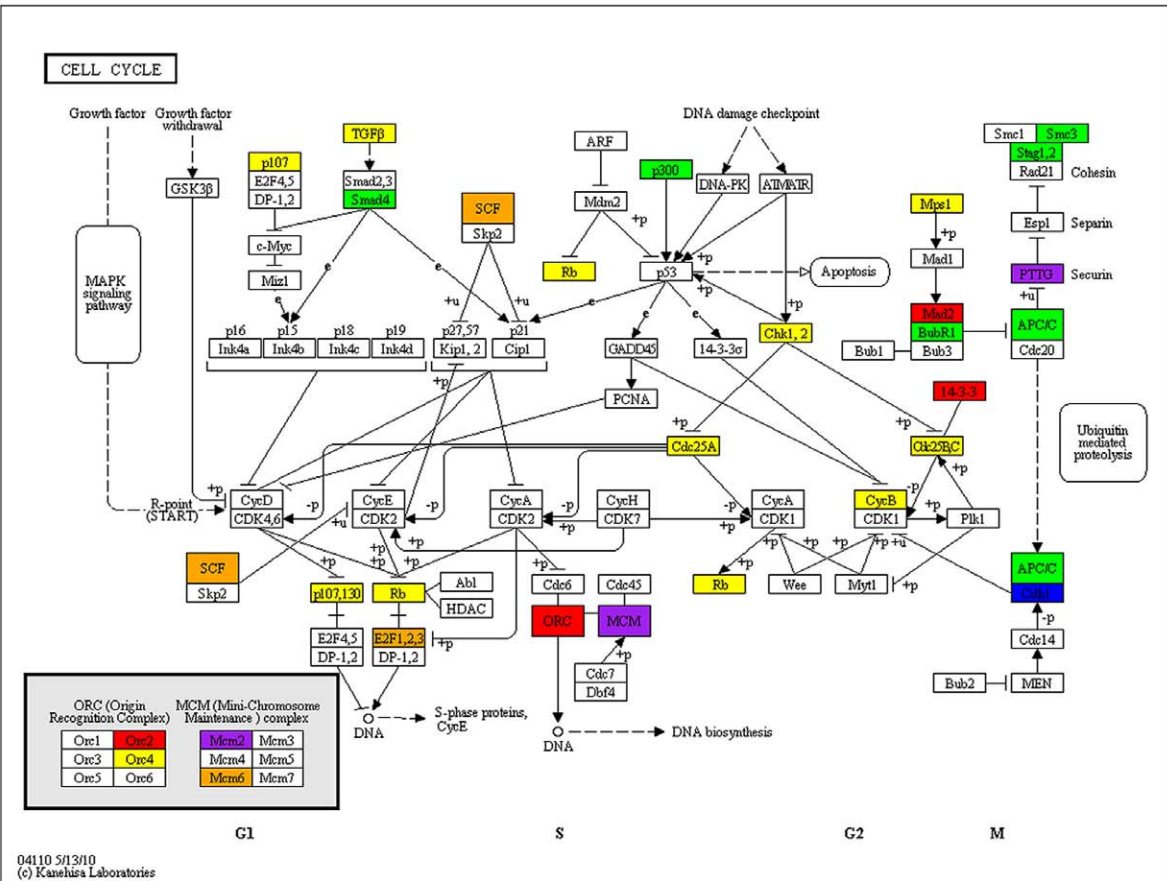
In mammalian cells, the production of ATP by glucose oxidation mainly relies on three biological processes: glycolysis in the cytoplasm; transformation of pyruvate to acetyl-coenzymeA and tricarboxylic acid (TCA) cycle in the mitochondrial matrix;

and the oxidative phosphorylation process in the inner membrane of mitochondria. Both substrates of the last two processes depend on the products of glycolysis. In our results, expression level changes of enzymes associated with the phosphorylation of fructose-6-phosphate to fructose-1,6-bisphosphate and the transformation of 1,3-bisphosphoglycerate to 2-phosphoglycerate (Figure 4 and Figure S1), may retard the glycolysis process and finally, reduce the ATP production in oocytes. Evidence has been accumulated to show that important energy substrate absorption like pyruvate, fructose, and even glucose of oocytes partly relies on cumulus cells or on the environment [7,32,33]. Considering assisted reproductive technologies (ART), our results could provide new information on potential targets for increasing ATP content of diabetic oocytes and promote normal development of diabetic oocytes and embryos [34].

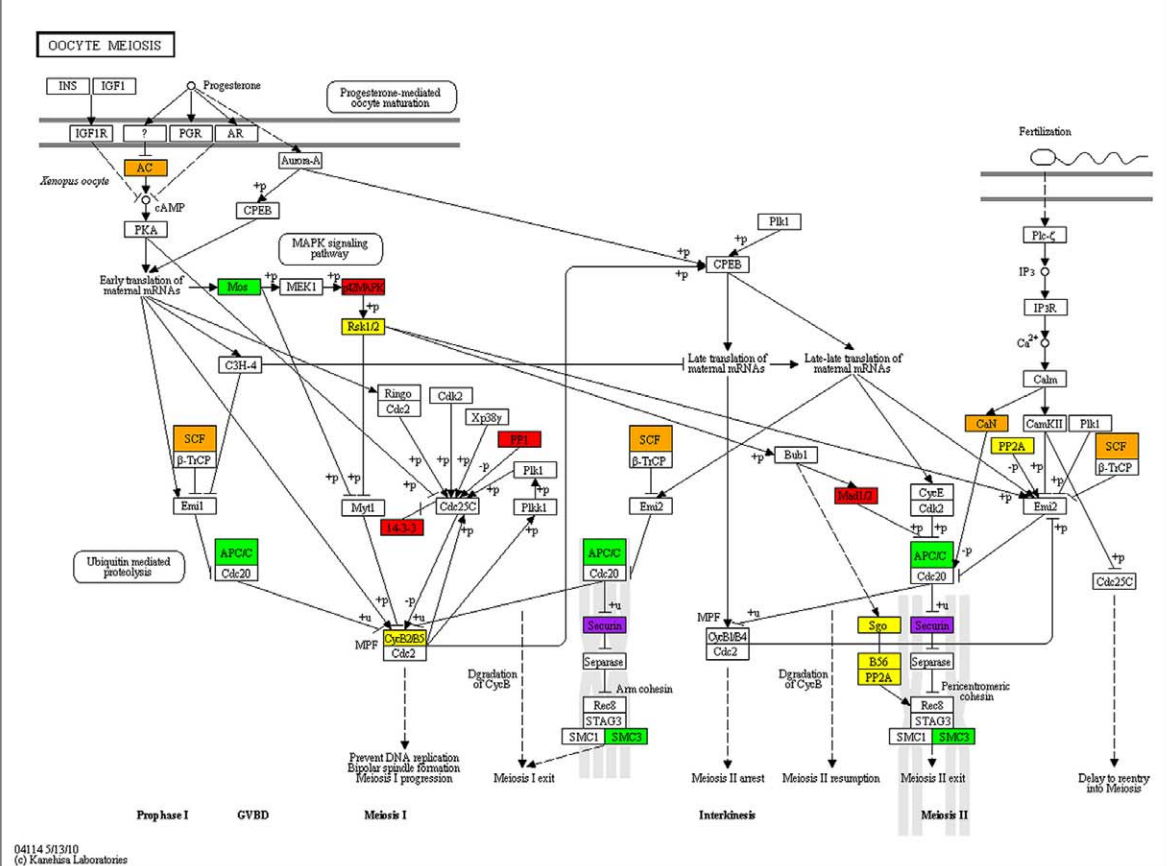
### Diabetes Affects Genes Associated with Preimplantation Embryo Development

Maternal factors are essential for early embryo development. Previous reports showed that, fewer than 20% Zar1 (zygote arrest 1) deleted embryos progressed to the 2-cell stage and none of the embryos developed to 4-cell stages [35]. Down-regulation of Zar1 transcription in diabetic mouse oocytes indicated that diabetes may affect the zygote to embryo transition. Geminin (Gmnn) gene

A



B



**Figure 3. Cell cycle and meiosis KEGG pathway maps of differentially expressed genes in STZ and NOD diabetic MII oocytes.** Red, genes up-regulated in both STZ and NOD diabetic mouse oocytes; Blue, genes down-regulated in both STZ and diabetic mouse oocytes; Yellow, genes up-regulated uniquely in NOD diabetic mouse oocytes; Green, genes down-regulated uniquely in NOD diabetic mouse oocytes; Orange, genes up-regulated uniquely in STZ diabetic oocytes; and Purple, genes down-regulated uniquely in STZ diabetic mouse oocytes.  
doi:10.1371/journal.pone.0041981.g003

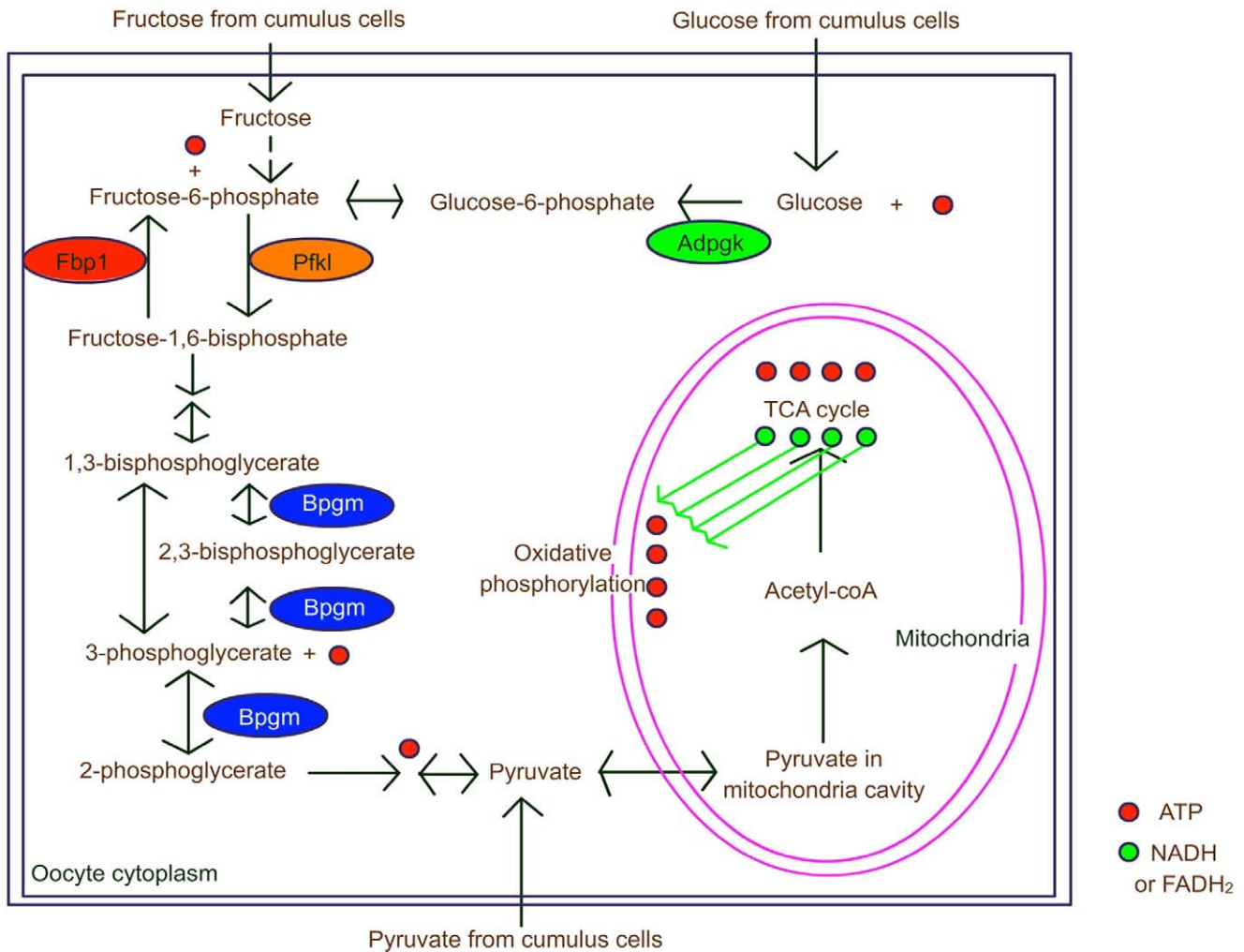
is a cell cycle regulator which regulates the S phase to M phase transition. In our results, *Gmnn* was down-regulated in STZ diabetic mouse oocytes. Maternal *Gmnn* could not be detected until the 4-cell embryo stage, and the *Gmnn* deleted embryos showed developmental retardation only when the maternal *Gmnn* was exhausted [36]. The decrease of maternal *Gmnn* mRNAs may be one of the reasons to explain why preimplantation development is delayed in STZ diabetic mice.

**Epigenetic-associated Genes are Affected by Diabetes**

During oocyte growth and maturation, the original imprint memory will be wiped off and oocyte-specific imprints will be reconstructed [37]. After fertilization, the zygote genome DNA is globally demethylated by DNA replication-dependent passive pathway (maternal) or DNA replication-independent active

pathway (paternal) [38,39,40,41]. To protect maternal and paternal imprint information from being destroyed, oocyte specific *Dnmt1* (*Dnmt1o*) but not somatic *Dnmt1*, is used to maintain the methylation state of imprint-specific CpG sites in cleavage stage embryos [42,43].

From our results, expression of *Dnmt1* decreased in oocytes from both diabetes models, indicating that diabetes may threaten normal imprint of the mouse genome. In addition, some methyl-CpG binding domain proteins were up-regulated in diabetic oocytes, such as *Mbd3*. Evidence showed that *Mbd3* could maintain imprint of paternal *H19*, but with no effects on other imprinted genes [44]. The change of imprint memory inheritance-associated genes in diabetic mouse oocytes showed that epigenetic markers were affected by the metabolism disorders induced by diabetes.



**Figure 4. Model of diabetic mouse oocyte energy production.** Red oval, genes up-regulated in both STZ and NOD diabetic mouse model oocytes; orange oval, genes up-regulated in STZ diabetic oocytes; green oval, genes down-regulated in NOD diabetic oocytes; blue oval, genes down-regulated in both STZ and NOD diabetic oocytes. *Adpgk*, ADP-dependent glucokinase; *Fbp1*, fructose bisphosphatase; *Pfk1*, phosphofructokinase, liver, B-type; and *Bpgm*, 2,3-bisphosphoglycerate mutase.  
doi:10.1371/journal.pone.0041981.g004



## Supporting Information

### Figure S1 Oxidative phosphorylation and Glycolysis/Gluconeogenesis KEGG pathway maps of differentially expressed genes in STZ and NOD diabetic MII oocytes.

Red, genes up-regulated in both STZ and NOD diabetic mouse oocytes; Blue, genes down-regulated in both STZ and diabetic mouse oocytes; Yellow, genes up-regulated uniquely in NOD diabetic mouse oocytes; Green, genes down-regulated uniquely in NOD diabetic mouse oocytes; Orange, genes up-regulated uniquely in STZ diabetic oocytes; and Purple, genes down-regulated uniquely in STZ diabetic mouse oocytes.

(PDF)

### Table S1 Samples for quantitative RT-PCR were extracted by the same methods as SOLiD sequencing library preparation.

(DOC)

### Table S2 Gene set enrichment analysis of genes down or up regulated in STZ diabetic mice oocytes.

(DOC)

## References

- Shaw JE, Sicree RA, Zimmet PZ (2009) Global estimates of the prevalence of diabetes for 2010 and 2030. *Diabetes Res Clin Pract* 87: 4–14.
- Jawerbaum A, White V (2010) Animal models in diabetes and pregnancy. *Endocr Rev* 31: 680–701.
- Wang Q, Moley KH (2010) Maternal diabetes and oocyte quality. *Mitochondrion* 10: 403–410.
- Junod A, Lambert AE, Stauffacher W, Renold AE (1969) Diabetogenic action of streptozotocin: relationship of dose to metabolic response. *J Clin Invest* 48: 2129–2139.
- Yoon JW, Jun HS (2001) Cellular and molecular pathogenic mechanisms of insulin-dependent diabetes mellitus. *Ann N Y Acad Sci* 928: 200–211.
- Thomas HE, Kay TW (2000) Beta cell destruction in the development of autoimmune diabetes in the non-obese diabetic (NOD) mouse. *Diabetes Metab Res Rev* 16: 251–261.
- Wang Q, Chi MM, Schedl T, Moley KH (2012) An intercellular pathway for glucose transport into mouse oocytes. *Am J Physiol Endocrinol Metab*.
- Sutton-McDowall ML, Gilchrist RB, Thompson JG (2010) The pivotal role of glucose metabolism in determining oocyte developmental competence. *Reproduction* 139: 685–695.
- Sugiura K, Su YQ, Diaz FJ, Pangas SA, Sharma S, et al. (2007) Oocyte-derived BMP15 and FGFs cooperate to promote glycolysis in cumulus cells. *Development* 134: 2593–2603.
- Chang AS, Dale AN, Moley KH (2005) Maternal diabetes adversely affects preovulatory oocyte maturation, development, and granulosa cell apoptosis. *Endocrinology* 146: 2445–2453.
- Ratchford AM, Esguerra CR, Moley KH (2008) Decreased oocyte-granulosa cell gap junction communication and connexin expression in a type 1 diabetic mouse model. *Mol Endocrinol* 22: 2643–2654.
- Wang Q, Ratchford AM, Chi MM, Schoeller E, Frolova A, et al. (2009) Maternal diabetes causes mitochondrial dysfunction and meiotic defects in murine oocytes. *Mol Endocrinol* 23: 1603–1612.
- Li L, Zheng P, Dean J (2010) Maternal control of early mouse development. *Development* 137: 859–870.
- Moley KH, Vaughn WK, DeCherney AH, Diamond MP (1991) Effect of diabetes mellitus on mouse pre-implantation embryo development. *J Reprod Fertil* 93: 325–332.
- Diamond MP, Moley KH, Pellicer A, Vaughn WK, DeCherney AH (1989) Effects of streptozotocin- and alloxan-induced diabetes mellitus on mouse follicular and early embryo development. *J Reprod Fertil* 86: 1–10.
- Beebe LF, Kaye PL (1991) Maternal diabetes and retarded preimplantation development of mice. *Diabetes* 40: 457–461.
- Bonnevie-Nielsen V, Steffes MW, Lermmark A (1981) A major loss in islet mass and B-cell function precedes hyperglycemia in mice given multiple low doses of streptozotocin. *Diabetes* 30: 424–429.
- Kurimoto K, Yabuta Y, Ohinata Y, Saitou M (2007) Global single-cell cDNA amplification to provide a template for representative high-density oligonucleotide microarray analysis. *Nat Protoc* 2: 739–752.
- Wang L, Feng Z, Wang X, Zhang X (2009) DEGseq: an R package for identifying differentially expressed genes from RNA-seq data. *Bioinformatics* 26: 136–138.
- Manoli T, Gretz N, Grone HJ, Kenzelmann M, Eils R, et al. (2006) Group testing for pathway analysis improves comparability of different microarray datasets. *Bioinformatics* 22: 2500–2506.
- Subramanian A, Tamayo P, Mootha VK, Mukherjee S, Ebert BL, et al. (2005) Gene set enrichment analysis: a knowledge-based approach for interpreting genome-wide expression profiles. *Proc Natl Acad Sci U S A* 102: 15545–15550.
- Li E, Bestor TH, Jaenisch R (1992) Targeted mutation of the DNA methyltransferase gene results in embryonic lethality. *Cell* 69: 915–926.
- Gilula NB, Epstein ML, Beers WH (1978) Cell-to-cell communication and ovulation. A study of the cumulus-oocyte complex. *J Cell Biol* 78: 58–75.
- Dekel N, Lawrence TS, Gilula NB, Beers WH (1981) Modulation of cell-to-cell communication in the cumulus-oocyte complex and the regulation of oocyte maturation by LH. *Dev Biol* 86: 356–362.
- Tanghe S, Van Soom A, Nauwynck H, Coryn M, de Kruif A (2002) Minireview: Functions of the cumulus oophorus during oocyte maturation, ovulation, and fertilization. *Mol Reprod Dev* 61: 414–424.
- Russell DL, Robker RL (2007) Molecular mechanisms of ovulation: coordination through the cumulus complex. *Hum Reprod Update* 13: 289–312.
- Otsuka F, Shimasaki S (2002) A negative feedback system between oocyte bone morphogenetic protein 15 and granulosa cell kit ligand: its role in regulating granulosa cell mitosis. *Proc Natl Acad Sci U S A* 99: 8060–8065.
- Moore RK, Erickson GF, Shimasaki S (2004) Are BMP-15 and GDF-9 primary determinants of ovulation quota in mammals? *Trends Endocrinol Metab* 15: 356–361.
- Heikinheimo O, Gibbons WE (1998) The molecular mechanisms of oocyte maturation and early embryonic development are unveiling new insights into reproductive medicine. *Mol Hum Reprod* 4: 745–756.
- Holt JE, Tran SM, Stewart JL, Minahan K, Garcia-Higuera I, et al. (2012) The APC/C activator FZR1 coordinates the timing of meiotic resumption during prophase I arrest in mammalian oocytes. *Development* 138: 905–913.
- Homer H, Gui L, Carroll J (2009) A spindle assembly checkpoint protein functions in prophase I arrest and prometaphase progression. *Science* 326: 991–994.
- Sutton-McDowall ML, Gilchrist RB, Thompson JG (2010) The pivotal role of glucose metabolism in determining oocyte developmental competence. *Reproduction* 139: 685–695.
- Wang Q, Chi MM, Moley KH (2012) Live imaging reveals the link between decreased glucose uptake in ovarian cumulus cells and impaired oocyte quality in female diabetic mice. *Endocrinology* 153: 1984–1989.
- Van Blerkom J, Davis PW, Lee J (1995) ATP content of human oocytes and developmental potential and outcome after in-vitro fertilization and embryo transfer. *Hum Reprod* 10: 415–424.
- Wu X, Viveiros MM, Eppig JJ, Bai Y, Fitzpatrick SL, et al. (2003) Zygote arrest 1 (Zar1) is a novel maternal-effect gene critical for the oocyte-to-embryo transition. *Nat Genet* 33: 187–191.
- Hara K, Nakayama KI, Nakayama K (2006) Geminin is essential for the development of preimplantation mouse embryos. *Genes Cells* 11: 1281–1293.
- Reik W, Dean W, Walter J (2001) Epigenetic reprogramming in mammalian development. *Science* 293: 1089–1093.
- Santos F, Hendrich B, Reik W, Dean W (2002) Dynamic reprogramming of DNA methylation in the early mouse embryo. *Dev Biol* 241: 172–182.
- Mayer W, Niveleau A, Walter J, Fundele R, Haaf T (2000) Demethylation of the zygotic paternal genome. *Nature* 403: 501–502.
- Oswald J, Engemann S, Lane N, Mayer W, Olek A, et al. (2000) Active demethylation of the paternal genome in the mouse zygote. *Curr Biol* 10: 475–478.

### Table S3 Cellular components enrichment analysis of differentially expressed genes in diabetic MII oocytes.

(DOC)

### Dataset S1 Genes Differentially Expressed in STZ and NOD diabetic Mice MII Oocytes.

(XLS)

### Dataset S2 Expression Information of Cell Cycle Associated Genes in Diabetic Oocytes.

(XLS)

### Dataset S3 Expression Information of Epigenetic Modification Associated Genes in Diabetic Oocytes.

(XLS)

## Author Contributions

Conceived and designed the experiments: QS JM ML. Performed the experiments: JM ZG ML DT SS JY BZ YL. Analyzed the data: JM. Contributed reagents/materials/analysis tools: YO YH. Wrote the paper: JM QS HS. Participated in discussion of the experiment: XO ZL.

41. Iqbal K, Jin SG, Pfeifer GP, Szabo PE (2011) Reprogramming of the paternal genome upon fertilization involves genome-wide oxidation of 5-methylcytosine. *Proc Natl Acad Sci U S A* 108: 3642–3647.
42. Howell CY, Bestor TH, Ding F, Latham KE, Mertineit C, et al. (2001) Genomic imprinting disrupted by a maternal effect mutation in the *Dnmt1* gene. *Cell* 104: 829–838.
43. Ratnam S, Mertineit C, Ding F, Howell CY, Clarke HJ, et al. (2002) Dynamics of *Dnmt1* methyltransferase expression and intracellular localization during oogenesis and preimplantation development. *Dev Biol* 245: 304–314.
44. Reese KJ, Lin S, Verona RI, Schultz RM, Bartolomei MS (2007) Maintenance of paternal methylation and repression of the imprinted *H19* gene requires *MBD3*. *PLoS Genet* 3: e137.