

ARTICLE

DOI: 10.1038/s41467-018-05617-3

OPEN

Efficient non-Markovian quantum dynamics using time-evolving matrix product operators

A. Strathearn¹, P. Kirton ¹, D. Kilda¹, J. Keeling ¹ & B.W. Lovett ¹

In order to model realistic quantum devices it is necessary to simulate quantum systems strongly coupled to their environment. To date, most understanding of open quantum systems is restricted either to weak system–bath couplings or to special cases where specific numerical techniques become effective. Here we present a general and yet exact numerical approach that efficiently describes the time evolution of a quantum system coupled to a non-Markovian harmonic environment. Our method relies on expressing the system state and its propagator as a matrix product state and operator, respectively, and using a singular value decomposition to compress the description of the state as time evolves. We demonstrate the power and flexibility of our approach by numerically identifying the localisation transition of the Ohmic spin-boson model, and considering a model with widely separated environmental timescales arising for a pair of spins embedded in a common environment.

¹SUPA, School of Physics and Astronomy, University of St Andrews, St Andrews KY16 9SS, UK. These authors contributed equally: A. Strathearn, P. Kirton. Correspondence and requests for materials should be addressed to B.W.L. (email: bwl4@st-andrews.ac.uk)

The theory of open quantum systems describes the influence of an environment on the dynamics of a quantum system¹. It was first developed for quantum optical systems², where the coupling between system and environment is weak and unstructured. In such situations, one can almost always assume that the environment is memoryless and uncorrelated with the system—that is, the Markov and Born approximations hold—allowing a time-local equation of motion to be derived for the open system. The resulting Born–Markov master equation works because the environment-induced changes to the system dynamics are slow relative to the typical correlation time of the environment.

There are now a growing number of quantum systems where a structureless environment description is not justified, and memory effects³ play a significant role. These include micromechanical resonators⁴, quantum dots^{5,6} and superconducting qubits⁷, and can underpin emerging quantum technologies such as the single-photon sources needed for quantum communication⁸. In addition, structured environments are ubiquitous in problems involving the strong interplay of vibrational and electronic states. For example, those involving the photophysics of natural photosynthetic systems^{9,10}, complex organic molecules used for light emission or solar cells¹¹, or semiconductor quantum dots^{12–15}. Similar problems arise when considering non-equilibrium energy transport in molecular systems¹⁶ or non-adiabatic processes in physical chemistry¹⁷. Non-Markovian effects can even be a resource for quantum information^{18,19}.

Various approaches exist for dealing with non-Markovian dynamics^{1,3}. Some particular problems have exact solutions²⁰. For others, unitary transformations can uncover effective weak coupling theories, and perturbative expansions beyond the Born–Markov approximations^{12,21}; these techniques typically yield time-local equations and are limited to certain parameter regimes. Diagrammatic formulations of such perturbative expansions can also form the basis for numerically exact approaches, for example, the real-time diagrammatic Monte Carlo as implemented in the Inchworm algorithm^{22,23}. Finally, there are non-perturbative methods that enlarge the state space of the system. This can be through hierarchical equations of motion²⁴, through capturing part of the environment within the system Hilbert space^{25–27} or by using augmented density tensors (ADTs) to capture the system’s history^{28,29}. These can be very powerful but require either specific assumptions about the environments^{24,27} or resources that scale poorly with bath memory time.

In this Article, we describe a computationally efficient, general and yet numerically exact approach to modelling non-Markovian dynamics for an open quantum system coupled to an harmonic bath. Our method, which we call the time-evolving matrix product operator (TEMPO), exploits the ADT^{28,29} to represent a system’s history over a finite bath memory time τ_c . If the bath is well behaved, then using a singular value decomposition (SVD) to compress the ADT on the fly is expected to enable accurate calculations with computational resources scaling only polynomially with τ_c . We demonstrate the power of TEMPO by exploring two contrasting problems: the localisation transition in the spin-boson model (SBM)³⁰ and spin dynamics with an environment that has both fast and slow correlation timescales—a problem for which other methods are not available. For both these problems we observe polynomial scaling with memory time.

Results

Time-evolving matrix product operators. In this section, we outline how the TEMPO algorithm works; further details are provided in the Methods section. We start by introducing the ADT. To define the notation and our graphical representation of it, we first consider the evolution of a Markovian system, which can be described by a density operator that contains d^2 numbers for a d -dimensional Hilbert space. Usually, the density operator is written as a $d \times d$ matrix, but we instead use a length d^2 vector with elements $\rho^i(t)$. To evolve by a timestep Δ , we write

$$\rho^i(t + \Delta) = [e^{\Delta\mathcal{L}}]_j^i \rho^j(t), \quad (1)$$

where \mathcal{L} is the Liouvillian¹. The graphical representation of this is shown in Fig. 1a. The red circle represents the density operator, with the protruding ‘leg’ indicating this is a tensor of rank one, that is, a vector. This leg is indexed by an integer $i = 1, \dots, d^2$. The blue square with two legs represents the propagator $e^{\Delta\mathcal{L}}$, written as a $d^2 \times d^2$ superoperator¹. The matrix–vector multiplication in Eq. (1) is shown by joining a leg of the propagator to the density operator, indicating tensor contraction. This contraction generates the density operator at time $t + \Delta$.

In order to capture non-Markovian dynamics, we extend our representation of the state at time t from a vector to an ADT, representing the history of the system. This is motivated by the path integral of a system interacting linearly with a bosonic environment. After integrating out the environment, the influence of the environment on the system can be captured by an ‘influence functional’ of the system paths alone¹. The influence functional couples the current evolution to the history, and captures the non-

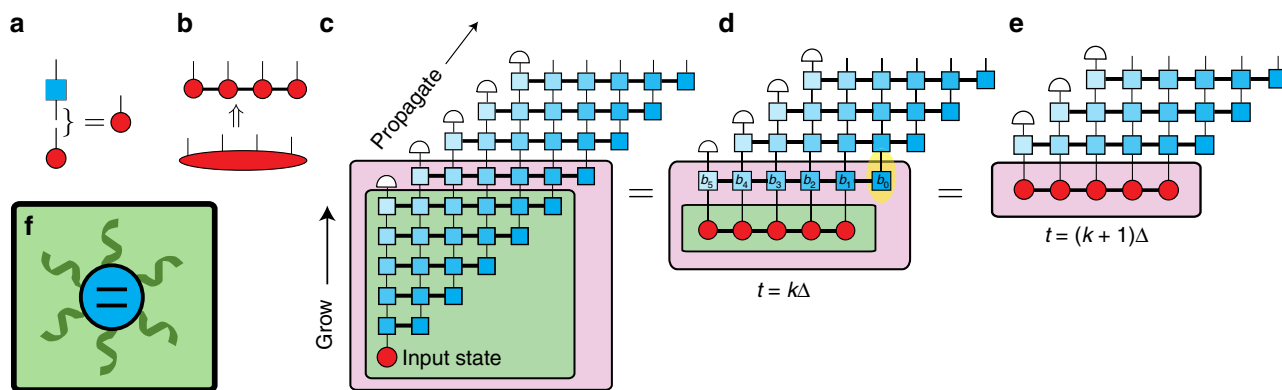


Fig. 1 Schematic description of the TEMPO algorithm. **a** Pictorial representation of matrix–vector multiplication. In **b** we show how the ADT can be decomposed into an MPS. **c** The full tensor network starting from an initial standard density operator which is grown to an ADT with K legs, as shown in **d**, where we have contracted the contents of the green box. To propagate forward one step, we contract the ADT with the next row of the propagator, as in **e**. A schematic representation of the spin-boson model is shown in **f**

Markovian dynamics. Makri and Makarov^{28,29} showed that by considering discrete timesteps, and writing the sum over system states in a discrete basis, the path integral could be reformulated as a propagator for the ADT, written as a discrete *sum* over paths. The influence functional becomes a series of influence functions $I_k(j, j')$ that connect the evolution of the amplitude of state j to the amplitudes of states j' an integer number, k , of timesteps ago. This approach is known as the quasi-adiabatic path integral (QUAPI).

As described so far, the ADT grows at each timestep, to record the lengthening system history. However, the influence functions have no effect once $k\Delta$ exceeds the bath correlation time τ_c . One can therefore propagate an ADT containing only the previous $K = \tau_c/\Delta$ steps: this is the finite memory approximation. This means we consider an ADT of rank K , written as $A^{i_1, i_2, \dots, i_K}(t)$, where each index runs over $i_k = 1, \dots, d^2$. The explicit construction of this tensor is described in the Methods section. In general $A^{i_1, i_2, \dots, i_K}(t)$ contains d^{2K} numbers, which scales exponentially with the correlation time τ_c . If the full tensor is kept, one quickly encounters memory problems, and typical simulations are restricted to $K < 20$ ^{31,32}. Improved QUAPI algorithms^{33,34} show that (for some models) typical evolution does not explore this entire space, leading us to seek a minimal representation of the ADT.

Matrix product states (MPS)^{35,36} are natural tools to represent high-rank tensors efficiently where correlations are constrained in some way. Examples include the ground state of one-dimensional (1D) quantum systems with local interactions³⁷, steady state transport in 1D classical systems³⁸ or time-evolving 1D quantum states³⁹. Inspired by these results, we show how an ADT can be efficiently represented and propagated using standard MPS methods. One may decompose high-rank tensors into products of low-rank tensors using SVDs and truncation. By combining indices, the tensor A can be written as³⁶:

$$A_{\{i_1, \dots, i_k\}, \{i_{k+1}, \dots, i_K\}} = U_{\{i_1, \dots, i_k\}} \lambda_\alpha [V^\dagger]_{\alpha, \{i_{k+1}, \dots, i_K\}}. \quad (2)$$

Here, U, V are unitary matrices, and λ_α denotes a singular value of the matrix A . Truncation corresponds to throwing away singular values λ_α smaller than some cutoff λ_c , consequently reducing the size of the matrices U, V . This procedure can be iterated by sweeping k across the whole tensor. The result of this is shown graphically in Fig. 1b, and can be written as:

$$A^{i_1, \dots, i_k, \dots, i_K} = a_{\alpha_1}^{i_1} a_{\alpha_1, \alpha_2}^{i_2} \dots a_{\alpha_{k-1}, \alpha_k}^{i_k} \dots a_{\alpha_{K-1}}^{i_K}. \quad (3)$$

This provides an efficient representation of the state, with a precision controlled by λ_c .

$A^{i_1, i_2, \dots, i_K}(t)$ can be time locally propagated using a tensor $B_{i_1, \dots, i_K}^{j_1, \dots, j_K}$. Crucially, this propagation can be performed directly on the matrix product representation of A . Moreover, the tensor product description of $B_{i_1, \dots, i_K}^{j_1, \dots, j_K}$, shown as the connected blue squares in Fig. 1c, has a small dimension, d^2 , for the internal legs. Similarly to the time evolution shown in Fig. 1a, the state $A(t + \Delta)$ is generated by contracting the legs of $A(t)$ with the input legs of B . Contracting a tensor network with a MPS, and truncating the resulting object by SVDs is a standard operation³⁶. In all the applications we discuss below, we find that as time propagates we are able to maintain an efficient representation of $A^{i_1, i_2, \dots, i_K}(t)$ with precision determined by λ_c .

The structure of the propagator depends on the influence functions $I_k(j, j')$ as shown in Fig. 1c (see also Methods section). We use darker colours to represent influence functions corresponding to more recent time points, which are expected to generate stronger correlations in the ADT. The input and output legs of the propagator are offset in the figure, so time can be viewed as propagating from left to right. In effect, at each step

the register is shifted so that the right-most output index corresponds to the new state: events that occurred more than τ_c ago are dropped, as illustrated by the white semicircles in Fig. 1, since they do not influence the future evolution. Evolution over a series of timesteps is depicted in Fig. 1c–e. In Fig. 1c we show the full tensor network. Assuming the initial state of the system is uncorrelated with its environment means it can be drawn as a regular density operator. In the ‘grow’ phase, a series of asymmetric B propagators are applied, which allow the relevant system correlations to extend in time. Once the system has grown to an object with K legs, we enter the regular propagation phase, shown in Fig. 1d, e.

Spin-boson phase transition. To demonstrate the utility of the TEMPO algorithm, we apply it to two problems of a quantum system coupled to a non-Markovian environment. We first consider the unbiased SBM³⁰, which has long served as the proving ground for open system methods. The generic Hamiltonian of this model is

$$H = \Omega S_x + \sum_i S_z (g_i a_i + g_i^* a_i^\dagger) + \omega_i a_i^\dagger a_i, \quad (4)$$

where the S_i are the usual spin operators, $a_i^\dagger(a_i)$ and ω_i are, respectively, the creation (annihilation) operators and frequencies of the i th bath mode, which couples to the system with strength g_i . The behaviour of the bath is characterised by the spectral density function

$$J(\omega) = \sum_i |g_i|^2 \delta(\omega - \omega_i). \quad (5)$$

This model is known to show a rich variety of physics depending on the particular form of spectral density and system parameters chosen. When the spectral density is Ohmic, $J(\omega) = 2\alpha\omega \exp(-\omega/\omega_c)$, the model is known to exhibit a quantum phase transition in the BKT universality class⁴⁰, at a critical value of the system–environment coupling $\alpha = \alpha_c$ ^{30,41}. The transition takes the system from a delocalised phase below α_c , where any spin excitation decays ($\langle S_z \rangle = 0$ in the steady state), to a localised phase above α_c ($\langle S_z \rangle \neq 0$ in the steady state). Most analytic results are restricted to the regime where the cutoff frequency $\omega_c \gg \Omega$. For example, when S describes a spin-1/2 particle, the phase transition occurs at $\alpha_c = 1 + \mathcal{O}(\Omega/\omega_c)$ ^{30,40,42}.

We are able to explore the dynamics around this phase transition using TEMPO. In Fig. 2a we show the polarisation dynamics of the spin-1/2 SBM for a range of α at $K = 200$. This memory length is an order of magnitude larger than standard ADT implementations³⁰ and is required to reach the asymptotic limit of the dynamics in the vicinity of the phase transition. We achieve convergence by varying the timestep Δ and SVD cutoff λ_c . We take an initial condition $\langle S_z \rangle = +1/2$ with no excitations in the environment, and find $\langle S_z(t) \rangle$.

Before reaching the localisation transition at $\alpha = \alpha_c$, one first reaches a crossover at $\alpha \simeq 0.5$ from coherent decaying oscillations to incoherent decay²⁹. For $\alpha > 0.5$, we find $\langle S_z \rangle$ always decays to zero asymptotically as $\langle S_z(t) \rangle \propto \exp(-\gamma t)$ to a very good approximation; fits to this function are shown as dashed lines in Fig. 2a. Decay to zero for all $\alpha > 0.5$ conflicts with the existence of a localised phase at large α , where $\langle S_z \rangle$ should asymptotically approach a non-zero value. The origin of this discrepancy is the finite memory approximation, which produced a time-local equation in the enlarged space of K timesteps. Time-local dynamics of a finite system typically generates a gapped spectrum of the effective Liouvillian⁴³. In the localised phase, $\alpha > \alpha_c$, the spectral gap should vanish asymptotically as we increase

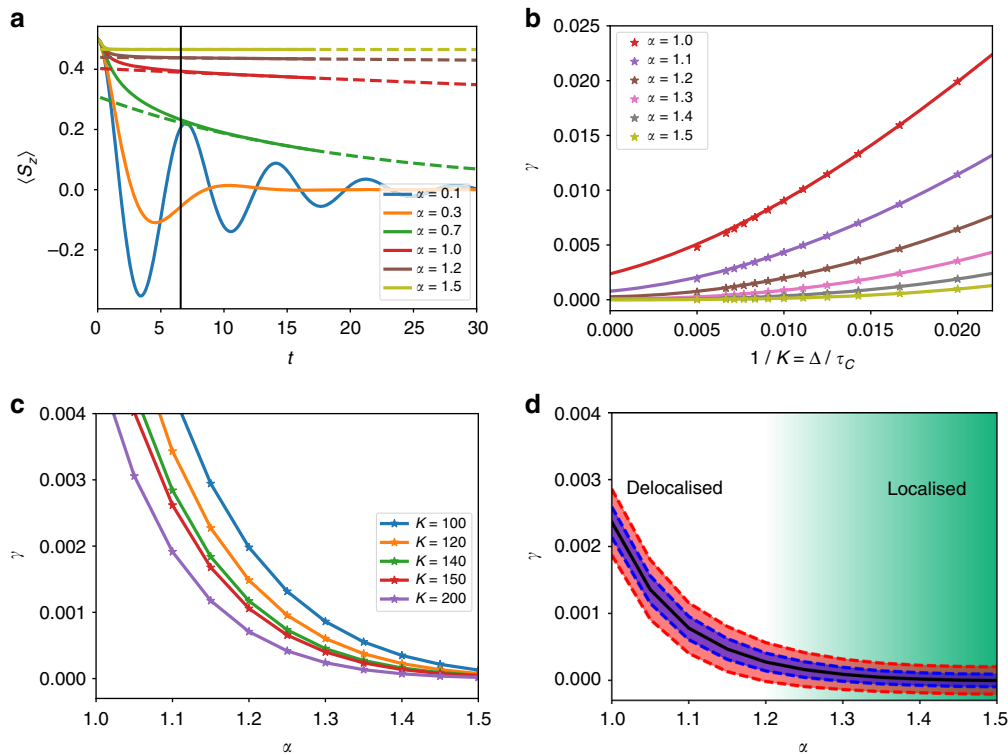


Fig. 2 Behaviour of the spin-1/2 system through the localisation phase transition. **a** The dynamics captured at $K = 200$ for the values of α indicated. The dotted lines show the exponential fits to the data above $\alpha = 0.5$. The vertical black line shows the location of the memory cutoff used. **b** The dependence of the decay rate of the exponential fit on $1/K$. This allows us to analyse the behaviour as $K \rightarrow \infty$. **c** The change in the decay rate as we go through the transition by varying α for the values of K indicated. In **d**, we give 68% (blue) and 95% (red) confidence intervals for the extrapolated decay rate which crosses zero at around $\alpha_c \simeq 1.25$. The bath cutoff frequency is $\omega_c = 5$ and everything is measured in units of the Hamiltonian driving term Ω

the memory cutoff $\tau_c \rightarrow K\Delta$. We should thus examine how the extracted decay rate, γ , depends on the memory cutoff. For $\alpha < \alpha_c$, γ should remain finite as $\tau_c \rightarrow \infty$, while for $\alpha > \alpha_c$ it should vanish. In Fig. 2b we plot γ as a function of $1/K = \Delta/\tau_c$ for different values of α around the phase transition. At small α , γ does appear to remain finite as $K \rightarrow \infty$, while at large α the behaviour appears consistent with localisation.

We may estimate the location of the phase transition by extrapolating $1/K \rightarrow 0$ for each α , and finding the smallest value of α consistent with $\gamma \rightarrow 0$. To do this, we use cubic fits in Fig. 2b (solid lines), and extract the constant part, with the restriction that the extracted γ cannot be negative. In order to find the phase transition as accurately as possible, we must perform simulations up to very large values of K : we here perform simulations up to $K = 200$, something that would be simply impossible without the tensor compression we exploit. Errors in our fits are assessed by monitoring the sensitivity of the best-fit result to truncation precision λ_c . These errors are all $< 10^{-4}$ and so are smaller than the points in Fig. 2. This allows us to find an error in the extracted $K \rightarrow \infty$ limit. The extracted values for γ are displayed in Fig. 2d where we show our estimate for its 68 and 95% confidence intervals. These suggest that $\alpha_c \simeq 1.25$, consistent with the known analytic results^{30,40,42}. We note that identifying α_c precisely from the time dependence of $\langle S_z \rangle$ is particularly challenging: since the localisation transition is in the BKT class⁴⁰, the order parameter approaches zero continuously.

The efficiency of TEMPO enables consideration of models with a larger local Hilbert space. To demonstrate this, we examine the localisation transition in the spin-1 SBM. Physically this could either arise from a spin-1 impurity or from a pair of spin-1/2 particles interacting with a common environment⁴⁴. On switching to this problem, the local dimension of each leg of our state

tensor increases from $d^2 = 4$ to $d^2 = 9$, reducing the values of K we can reach. However, we also find convergence occurs for larger timesteps, allowing access to similar values of τ_c .

In Fig. 3a we show the dynamics of this model, after initialising to $\langle S_z \rangle = 1$. In this case, on both sides of the localisation transition, the dynamics shows complex oscillatory behaviour before settling down to an exponential decay. This introduces more uncertainty to our exponential fits. However, as shown in Fig. 3b the extracted decay rate vanishes at $\alpha_c \simeq 0.28$, indicative of the phase transition and agreeing with numerical renormalisation group results^{44,45}, but in contrast to the results found using a variational ansatz⁴⁶.

Two spins in a common environment. We next demonstrate the flexibility of TEMPO by applying it to a dynamical problem for which other methods are not available. We consider a pair of identical spins-1/2, at positions \mathbf{r}_a and \mathbf{r}_b , which couple directly to each other through an isotropic Heisenberg coupling Ω , and which both couple to a common environment, see Fig. 4a. The Hamiltonian reads:

$$H = \Omega \mathbf{S}_a \cdot \mathbf{S}_b + \sum_{\nu=a,b} \sum_i S_{z,\nu} (g_{i,\nu} a_i + g_{i,\nu}^* a_i^\dagger) + \omega_i a_i^\dagger a_i. \quad (6)$$

The system-bath coupling constants have a position-dependent phase, $g_{i,\nu} = g_i e^{-i\mathbf{k}_i \cdot \mathbf{r}_\nu}$, where \mathbf{k}_i is the wavevector of the i th bosonic mode. We assume linear dispersion $\omega_i = c|\mathbf{k}_i|$ and $c = 1$.

This model exhibits complex dissipative dynamics on two different timescales. The faster timescale describes dissipative dynamics of the spins due to interactions with their nearby environment, typically set by the ω_c defined earlier. The other timescale is set by the spin separation $R = |\mathbf{r}_a - \mathbf{r}_b|$ over which there is an environment-mediated spin-spin interaction. By

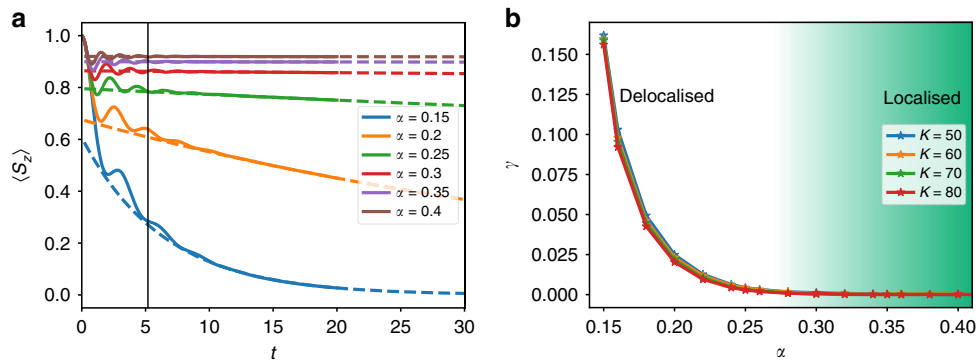


Fig. 3 Behaviour of the spin-1 system through the localisation phase transition. **a** The dynamics captured at $K = 80$ for the values of α indicated. The dotted lines show the exponential fits to the data. **b** The change in the decay rate as we go through the transition by varying α for the values of K indicated. The system parameters are the same as Fig. 2

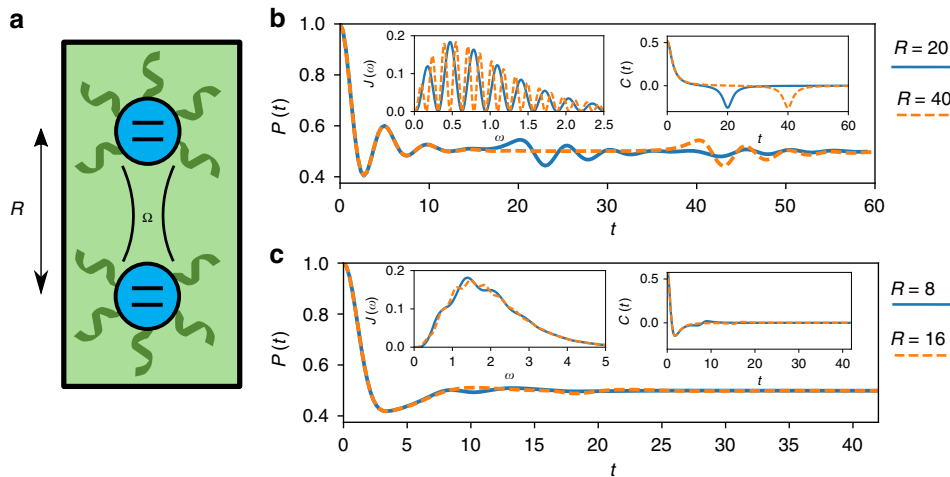


Fig. 4 Dynamics of two coupled spins-1/2, separated by a distance R , interacting with the same environment. **a** A schematic of this system. **b, c** Dynamics of the system in 1D and 3D, respectively, at different values of the spin separation R . Insets to these plots are the corresponding spectral densities and bath correlation functions (see Methods section for details). The dimensionless couplings α used for 1D and 3D are $\alpha = 2$ and $\alpha = 1$, respectively. We set the speed of sound $c = 1$, so that all parameters are in units of Ω and we choose $T = 0.5$, $\omega_c = 0.5$. In all cases we have used 180 timesteps, but not used the memory cutoff meaning $K = 180$

changing R we can control the ratio of these timescales. The dimension, D , of the bath also has an effect: the intensity of environmental excitations propagating from one spin to the other will be stronger for lower D .

When the spins are close together, $R < \omega_c^{-1}$, it is difficult to distinguish local dissipative effects from the environment-mediated interaction and both master equation techniques¹³ and the standard ADT method⁴⁷ generate accurate dynamics. Instead, we consider large separation $R > \omega_c^{-1}$, about which little is known. The ADT then requires both a small timestep $\Delta \ll \omega_c^{-1}$ to capture the fast local dissipative dynamics and a large cutoff time $\tau_c = K\Delta > R$ to capture environment-induced interactions; hence, a very large K is needed. Using TEMPO we are able to investigate these dynamics without even having to go beyond the tensor growth stage shown in Fig. 1c, and thus avoid any error caused by a finite memory cutoff K .

We project onto the $S_{z,a} + S_{z,b} = 0$ subspace of the system, consisting of the two anti-aligned spin states, since this is the only sector with non-trivial dynamics. The effective Hamiltonian for this $2d$ subspace can then be mapped onto the spin-1/2 SBM, Eq. (4), albeit with a modified spectral density that depends on R . Details of this procedure are given in the Methods section.

In Fig. 4b, c we show dynamics for different R for environments with $D = 1$ and $D = 3$. Insets show the effective spectral densities, $J(\omega)$, and real part of the bath autocorrelation functions, $C(t)$, which we define in the Methods section. We initialise the spins in a product state with $\langle S_{z,a} \rangle = 1/2$, $\langle S_{z,b} \rangle = -1/2$ and calculate the probability, $P(t)$, of finding the system in this state at time t . The bath is initialised in thermal equilibrium at temperature T . For $D = 1$, after initial oscillations decay away over a timescale $\sim \omega_c^{-1}$, there are revivals at $t = R$. This is due to the strongly oscillating spectral density which results in a large peak at $C(t = R)$. As expected for a one-dimensional environment, the profile of these secondary oscillations is independent of R when $R \gg \omega_c^{-1}$. Additionally for $R = 20$ more small amplitude oscillations appear at $t \approx 40$, due to the effective interaction of the spins at $t \approx 20$ sending more propagating excitations into the environment. For $D = 3$ the spectral density still has an oscillatory component, though it is much less prominent. The resulting peaks at $C(t = R)$ are thus much smaller than the $t = 0$ peak and have only a small effect on the dynamics. Small amplitude oscillations can be seen at $t \approx R$ when $R = 8$, but with $R = 16$ it is difficult to see any significant features in the dynamics.

Discussion

We have presented a highly efficient method for modelling the non-Markovian dynamics of open quantum systems. Our method is applicable to a wide variety of situations. In well-established ADT methods, non-Markovianity is accounted for by encoding the system's history in a high-rank tensor; we have overcome the restrictive memory requirements of storing this tensor by representing it as an MPS. We can then efficiently calculate open system dynamics by propagating this MPS via iterative application of an MPO. To test our technique we used it to find the localisation transition in the SBM, for both spin-1/2 and spin-1, and found estimates for the critical couplings, consistent with other techniques. We then applied our method to a pair of interacting spins embedded within a common environment, in a regime where a large separation of timescales prevents the use of other methods.

Precisely locating the phase transition is a rigorous test of any numerical method: as we found, very large memory times, up to $K=200$ were required to precisely locate this point. Other improved numerical methods^{22,23,33} have demonstrated a degree of enhanced efficiency when considering conditions away from the critical coupling. As yet, other such general methods have not been used to precisely locate the transition.

The key to our technique is that tensor networks provide an efficient representation of high-dimensional tensors encoding restricted correlations. As well as the widespread application of such methods in low-dimensional quantum systems^{35–39}, they have also been applied to sampling problems in classical statistical physics⁴⁸, and analogous techniques (under the name ‘Tensor trains’) have been developed in computer science⁴⁹. Moreover, there has been a recent synthesis showing how techniques developed in one context can be extended to others, such as machine learning⁵⁰, or Monte Carlo sampling of quantum states⁵¹. Our work defines a further application for these methods, and future work may yet yield even more efficient approaches.

The methods described in this article are already very powerful in their ability to model general non-Markovian environments. They also enable easy extension to study larger quantum systems, by adapting other methods from tensor networks such as the optimal boson basis⁵²—these will be the subject of future work. They may also be combined with approaches such as the tensor transfer method described in Ref. 53. This method allows efficient long time propagation of dynamics, so long as an exact map is known up to the bath memory time: TEMPO enables efficient calculation of the required exact map. With such tools available, the study of the dynamics of quantum systems in non-Markovian environments³ can now move from studying isolated examples to elucidating general physical principles, and modelling real systems.

Methods

TEMPO algorithm. In this section, we will present the details of the TEMPO algorithm, paying particular attention to how the ADT and propagator are constructed in a matrix product form.

The generic Hamiltonian of the models we consider is

$$H = H_0 + O \sum_i (g_i a_i + g_i^* a_i^\dagger) + \sum_i \omega_i a_i^\dagger a_i, \quad (7)$$

$$= H_0 + H_E, \quad (8)$$

where H_0 is the (arbitrary) free system Hamiltonian and H_E contains both the bath Hamiltonian and the system–bath interaction. Here a_i^\dagger (a_i) and ω_i are the creation (annihilation) operators and frequencies of the i th environment mode. The system operator O couples to bath mode i with coupling constant g_i . As outlined in the main text, we work in a representation where $d \times d$ density operators are given

instead by vectors with d^2 elements. These vectors are then propagated using a Liouvillian as in Eq. (1) of the main text, $\mathcal{L} = \mathcal{L}_0 + \mathcal{L}_E$, where \mathcal{L}_0 and \mathcal{L}_E generate coherent evolution caused by H_0 and H_E , respectively. It has been shown recently that it is straightforward to include additional Markovian dynamics in the reduced system Liouvillian⁵⁴ in the ADT description.

If the total propagation over time t_N is composed of N short time propagators $e^{i_N \mathcal{L}} = (e^{\Delta \mathcal{L}})^N$, we can use a Trotter splitting⁵⁵

$$e^{\Delta \mathcal{L}} \approx e^{\Delta \mathcal{L}_E} e^{\Delta \mathcal{L}_0} + \mathcal{O}(\Delta^2). \quad (9)$$

We note that the following arguments can be easily adapted to use the higher-order, symmetrized, Trotter splitting^{28,29,56} that reduces the error to Δ^3 . All the numerical results presented use this symmetrized splitting, but for ease of exposition we use the form of Eq. (9) here. We assume the initial density operator factorises into system and environment terms, with the environment initially in thermal equilibrium at temperature T . Time evolution can then be written as a path sum over system states, by inserting resolutions of identity between each $e^{\Delta \mathcal{L}_E} e^{\Delta \mathcal{L}_0}$ and then tracing over environmental degrees of freedom. The result is the discretized Feynman–Vernon influence functional^{28,29}, which yields the following form for the time evolved density matrix:

$$\rho_{j_N}(t_N) = \sum_{j_1, \dots, j_{N-1}} \left(\prod_{n=1}^{N-1} \prod_{k=0}^{n-1} I_k(j_n, j_{n-k}) \right) \rho_{j_1}(\Delta). \quad (10)$$

The indexing here is in a basis where O is diagonal. Each j index runs from 1 to d^2 , and due to the order of the splitting in Eq. (9), the initial state of the system has been propagated forward a single timestep, $\rho_{j_1}(\Delta) = [e^{\Delta \mathcal{L}_0}]_{j_1 j_0} \rho_{j_0}(0)$. We have defined the influence functions

$$I_k(j, j') = \begin{cases} e^{\phi_k(j, j')}, & k \neq 1, \\ [e^{\Delta \mathcal{L}_0}]_{j j'} e^{\phi_k(j, j')}, & k = 1, \end{cases} \quad (11)$$

with

$$\phi_k(j, j') = -O_j^- (O_j^- \text{Re}[\eta_k] + i O_j^+ \text{Im}[\eta_k]). \quad (12)$$

Here O_j^- are the d^2 possible differences that can be taken between two eigenvalues of O and O_j^+ the corresponding sums. The coefficients, η_k , quantify the non-Markovian correlations in the reduced system across k timesteps of evolution and are given by the integrals

$$\eta_{n-n'} = \begin{cases} \int_{t_{n-1}}^{t_n} dt' \int_{t_{n-1}}^{t_{n'}} dt'' C(t' - t''), & n \neq n', \\ \int_{t_{n-1}}^{t_n} dt' \int_{t_{n-1}}^{t'} dt'' C(t' - t''), & n = n', \end{cases} \quad (13)$$

where $C(t)$ is the bath autocorrelation function

$$C(t) = \int_0^\infty d\omega J(\omega) \left[\coth\left(\frac{\omega}{2T}\right) \cos(\omega t) - i \sin(\omega t) \right], \quad (14)$$

with temperature measured in units of frequency and with the spectral density $J(\omega) = \sum_i |g_i|^2 \delta(\omega_i - \omega)$.

The summand of the discretised path integral in Eq. (10) can be interpreted as the components of an N -index tensor $A^{j_N, j_{N-1}, \dots, j_1}$. This tensor is an ADT of the type originally proposed by Makri and Makarov^{28,29}. We will show below that this N -index tensor can also be written as tensor network consisting of $N(N+1)/2$ tensors with, at most, four legs each and that this network can be contracted using standard MPS-MPO contraction algorithms^{35,36}. First we gather terms in the inner piece of the double product in Eq. (10) into a single object, which we write as components of an n -index tensor

$$\mathcal{B}^{j_n, j_{n-1}, \dots, j_1} = \prod_{k=0}^{n-1} I_k(j_n, j_{n-k}). \quad (15)$$

Next, we define the $(2n-1)$ -index tensors

$$\mathcal{B}_{n-1, \dots, j_1}^{j_n, j_{n-1}, \dots, j_1} = \left(\prod_{k=1}^{n-1} \delta_{n-k}^{j_{n-k}} \right) \mathcal{B}^{j_n, j_{n-1}, \dots, j_1}, \quad (16)$$

for $n > 1$, and the 1-index initial ADT:

$$A^i = \mathcal{B}^i \rho^i(\Delta). \quad (17)$$

We may now evolve this ADT in time iteratively by successive contraction of tensors. This process is shown graphically in Fig. 1c. The first contraction produces a 2-index ADT which describes the full state and history at the second time point:

$$A^{i_2 j_1} = B_{i_1}^{j_1} A^{i_1}. \quad (18)$$

We next contract with $B_{i_2, j_1}^{j_2, j_1}$ to produce a 3-index ADT and so on. The n th step of this process then looks like

$$A^{j_n, j_{n-1}, \dots, j_1} = B_{i_{n-1}, \dots, i_1}^{j_{n-1}, \dots, j_1} A^{i_{n-1}, i_{n-2}, \dots, i_1}, \quad (19)$$

and the density operator for the open system at time $t_n = n\Delta$ is recovered by summing over all but the j_n leg,

$$\rho^n(t_n) = \sum_{j_{n-1}, \dots, j_1} A^{j_n, j_{n-1}, \dots, j_1}, \quad (20)$$

from which observables can be calculated. At each iteration the size of the ADT grows by one index, since up to now we have made no cutoff for the bath memory time: we are in the ‘grow’ phase depicted in Fig. 1c. To compress the state after each application of this B tensor, we sweep along the resulting ADT performing SVD’s and truncating at each bond, throwing away the components corresponding to singular values smaller than our cutoff λ_c . This gives an MPS representation of the ADT, as given in Eq. (3). As discussed in Ref.⁵⁷, we must in fact sweep both left to right and then right to left to ensure the most efficient MPS representation is found. If no bath memory cutoff is made, this whole process is repeated until the final time point is reached at $n = N$.

The $(2n - 1)$ -index propagation tensor, B , can be represented as an MPO such that the above process of iteratively contracting tensors becomes amenable to standard MPS compression algorithms^{35,36}. The form required is

$$B_{i_{n-1}, \dots, i_1}^{j_n, j_{n-1}, \dots, j_1} = [b_0]_{\alpha_1}^{j_n} \left(\prod_{k=1}^{n-2} [b_k]_{\alpha_{k+1}, j_{n-k}}^{\alpha_k, j_{n-k}} \right) [b_{n-1}]_{i_1}^{\alpha_{n-1}, j_1}, \quad (21)$$

where we define the rank-4 tensor

$$[b_k]_{\alpha', i}^{\alpha, j} = \delta_{\alpha'}^{\alpha} \delta_i^j I_k(\alpha, j), \quad (22)$$

and the rank-2 and rank-3 tensors appearing at the ends of the product are

$$[b_0]_{\alpha'}^j = \delta_{\alpha'}^j [b_0]_{\alpha', i}^{\alpha, j} = \delta_{\alpha'}^j I_0(j, j), \quad (23)$$

and

$$[b_{n-1}]_{i'}^{\alpha, j} = \sum_{\alpha'} [b_{n-1}]_{\alpha', i}^{\alpha, j} = \delta_{i'}^{\alpha} I_{n-1}(\alpha, j). \quad (24)$$

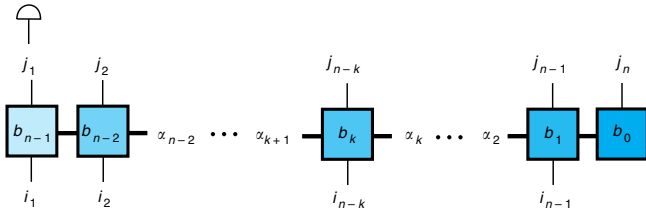


Fig. 5 Tensor network diagram depicting the MPO decomposition of the rank- $(2n + 1)$ tensor, B . The squares show the b_k tensors in Eqs. (22)–(24), with k increasing right to left. The i_n and j_n tensor indices correspond to the vertical legs with n increasing from left to right. When $n = K$ the j_1 leg is summed over to give the rank- $2K$ propagation phase MPO, represented in the figure by contraction with a rank-1 object; the d^2 -dimensional vector whose elements are all equal to one

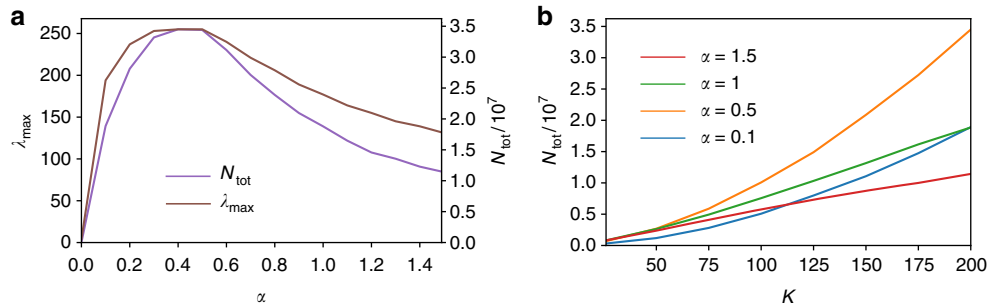


Fig. 6 Memory requirements of the TEMPO algorithm. We show both the total size of the final MPS, N_{tot} , and the maximum bond dimension, λ_{max} , as a function of: **a** coupling α (at $K = 200$) and **b** memory cutoff K (for the various values of α indicated)

Upon substituting these forms, Eqs. (22)–(24), into Eq. (21) it is straightforward to verify that we recover the expression Eq. (16). The rank- $(2n - 1)$ MPO, $B_{i_{n-1}, \dots, i_1}^{j_n, j_{n-1}, \dots, j_1}$, is represented by the tensor network diagram in Fig. 5.

We note it has recently been shown that if the spectrum of O has degeneracies, then part of the sum in Eq. (10) can be performed analytically, vastly reducing computational cost of the ADT method for systems where the environment only couples to a small subsystem⁵⁸. Here we can further exploit the fact that, even when there is no degeneracy in the d eigenvalues of O , there is always degeneracy in the d^2 differences between its eigenvalues, O_j^- , that is, d of these differences are always zero. Using the same partial summing technique described in Ref.⁵⁷ we can thus reduce the dimension of the internal indices of the rank- $(2n - 1)$ MPO, Eq. (21), from d^2 to $d^2 - d + 1$. Furthermore, if the eigenvalues of O are non-degenerate but evenly spaced, as is the case for spin operators, then there are only $2d - 1$ unique values of O_j^- , allowing us to reduce the size of the b_k tensors, Eq. (22), from $\mathcal{O}(d^6)$ to $\mathcal{O}(d^6)$.

The finite memory approximation can now be introduced by throwing away information in the ADT for times longer than $\tau_c = K\Delta$ into the system’s history. To do this we write

$$[b_k]_{\alpha', i}^{\alpha, j} = \delta_{\alpha'}^{\alpha} \delta_i^j \quad k > K. \quad (25)$$

Thus, when propagating A^{j_n, \dots, j_1} beyond the K th timestep only indices j_n to j_{n-K+1} have any relevance and we can sum over the rest. The way we do this in practice is to define the $2K$ -leg tensor MPO

$$B_{i_K, \dots, i_1}^{j_{K+1}, \dots, j_2} = \sum_{j_1} B_{i_K, \dots, i_1}^{j_{K+1}, j_K, \dots, j_1}, \quad (26)$$

such that contraction with a rank- K MPS is equivalent to first growing the MPS by one leg and then summing over (i.e. removing) the leg which is earliest in time. Repeating this contraction propagates an A -tensor MPS forward in time, but maintains its rank of K for all timesteps $n > K$. This is what we show in the ‘propagate’ phase of Fig. 1c. For some spectral densities, it is possible to improve the convergence with τ_c by making a softer cutoff^{59,60}, but since TEMPO can go to very large values of K this is not necessary here.

For time-independent problems (as we study here), the ‘propagate’ phase involves repeated contraction with the same MPO, Eq. (26), which is independent of the timestep. To make this clear, it is convenient to change our index labelling (which, so far has referred to the absolute number of timesteps from $t = 0$). We will instead relabel the indices on the MPO and MPS as follows: $B_{i_K, \dots, i_1}^{j_{K+1}, \dots, j_2} \rightarrow B_{i_1, \dots, i_K}^{j_K, \dots, j_1}$ and $A^{j_n, \dots, j_{n-K+1}} \rightarrow A^{j_1, \dots, j_K}(t_n)$. The indices now refer to the distance back in time from the current time point. To summarise, with the new labelling we first grow the initial state into a K -index MPS, $A^{j_1, \dots, j_K}(\tau_c)$, and then propagate as:

$$A^{j_1, \dots, j_K}(t + \Delta) = B_{i_1, \dots, i_K}^{j_K, \dots, j_1} A^{i_1, \dots, i_K}(t), \quad (27)$$

and the physical density operator is found via

$$\rho^i(t) = \sum_{j_1, \dots, j_K} A^{j_1, \dots, j_K}(t). \quad (28)$$

Having described the TEMPO algorithm we now briefly analyse the computational cost of applying it to the SBM of Eq. (4). In Fig. 6a we plot the total size, N_{tot} , of the MPS and maximum bond dimension, λ_{max} , used to obtain converged results in Fig. 2 against coupling strength with $K = 200$. We find the most computationally demanding regime to be around $\alpha = 0.5$, the point of crossover from underdamped to overdamped oscillations of S_z . We find the CPU time required is linear in the total memory requirement. For the largest memory required (at $\alpha = 0.5$), the time to obtain 500 data points using TEMPO on the HPC Cirrus cluster was ≈ 20.5 h. In Fig. 2b we show how N_{tot} grows with K for different values of α . For $\alpha = 0.1, 0.5$ we see quadratic growth with K , while for couplings near and above the phase transition, $\alpha = 1, 1.5$, the growth is only linear. Both cases

thus represent polynomial scaling, a substantial improvement on the exponential scaling of the standard ADT method for which one has $N_{\text{tot}} = 4^K$.

Mapping two spins in a common environment to a single spin model. We show here how to map Eq. (6) describing a pair of spin-1/2 particles in a common environment onto Eq. (4), a single spin-1/2 SBM. The Hamiltonian Eq. (6) has the property that the total z -component of the two-spin system is conserved, $[S_{z,a} + S_{z,b}, H] = 0$. Thus, the problem can be separated into three distinct subspaces: the two states with the spins anti-aligned ($S_{z,a} + S_{z,b} = 0$) form one subspace and the two aligned spin states ($S_{z,a} + S_{z,b} = \pm 1$) are the other two. The one-dimensional subspaces with aligned spins cannot evolve in time; hence, all non-trivial dynamics in this model happen in the $S_{z,a} + S_{z,b} = 0$ subspace. We therefore focus on this subspace. By doing so, we may subtract a term proportional to $S_{z,a} + S_{z,b}$ from the system–bath coupling in Eq. (6). The remaining system–bath interaction is given by

$$\frac{1}{2} (S_{z,a} - S_{z,b}) \sum_i (|\tilde{g}_i| a_i + |\tilde{g}_i| a_i^\dagger). \quad (29)$$

The effective coupling here is $|\tilde{g}_i| = |g_{i,a} - g_{i,b}| = 2g_i \sin[\mathbf{k}_i \cdot (\mathbf{r}_a - \mathbf{r}_b)/2]$. These couplings lead to a modified effective spectral density^{13,61},

$$J(\omega) = 2J_p(\omega)(1 - F_D(\omega R)), \quad (30)$$

where $J_p(\omega)$ is the actual density of states of the bath. The function $F_D(\omega R)$ arises from angular averaging in D -dimensional space, and so crucially depends on the dimensionality of the environment. Specifically we have:

$$F_D(x) = \begin{cases} \cos(x), & D = 1, \\ J_0(x), & D = 2, \\ \text{sinc}(x), & D = 3, \end{cases} \quad (31)$$

where $J_0(x)$ is a Bessel function. We note that $F_D(\omega R) \rightarrow 0$ as $R \rightarrow \infty$ for $D > 1$, due to the diminishing effect of the environment-induced coupling in higher dimensions. (When considering $R \rightarrow \infty$, we should note that in the original Hamiltonian we neglected any retardation in the Heisenberg interaction.) At small separations, $R \rightarrow 0$, $F_D(\omega R) \rightarrow 1$ and so $J(\omega) \rightarrow 0$ for all D due to the loss of relative phase shift between the couplings of the anti-aligned states to the environment.

For the bare density of states $J_p(\omega)$, we consider a simple model of e.g. a quantum dot in a phonon environment, for which the coupling constants appearing in the Hamiltonian, Eq. (6), have $g_i \sim \sqrt{\omega_i}$ ¹⁹. This means that in the continuum limit the spectral density for a D -dimensional environment is

$$J_p(\omega) = \frac{\alpha \omega^D}{2 \omega_c^{D-1}} e^{-\omega/\omega_c}, \quad (32)$$

where ω_c describes a high-frequency cutoff and α is the strength of the interaction with the environment.

Data and code availability. The datasets generated during and/or analysed during the current study are available at: <https://doi.org/10.17630/44616048-eaac-4971-bbff-1d36e2cef256>. The TEMPO code is available at <https://doi.org/10.5281/zenodo.1322407>.

Received: 5 May 2018 Accepted: 11 July 2018

Published online: 20 August 2018

References

- Breuer, H. -P. & Petruccione, F. *The Theory of Open Quantum Systems* (Oxford University Press, Oxford, 2002).
- Walls, D. F. & Milburn, G. J. *Quantum Optics* 2nd edn (Springer, Berlin, 2007).
- de Vega, I. & Alonso, D. Dynamics of non-Markovian open quantum systems. *Rev. Mod. Phys.* **89**, 015001 (2017).
- Gröblacher, S. et al. Observation of non-Markovian micromechanical brownian motion. *Nat. Commun.* **6**, 7606 (2015).
- Madsen, K. H. et al. Observation of non-Markovian dynamics of a single quantum dot in a micropillar cavity. *Phys. Rev. Lett.* **106**, 233601 (2011).
- Mi, X., Cady, J. V., Zajac, D. M., Deelman, P. W. & Petta, J. R. Strong coupling of a single electron in silicon to a microwave photon. *Science* **355**, 156–158 (2017).
- Potočník, A. et al. Studying light-harvesting models with superconducting circuits. *Nat. Commun.* **9**, 904 (2018).
- Aharonovich, I., Englund, D. & Toth, M. Solid-state single-photon emitters. *Nat. Photon.* **10**, 631–641 (2016).
- Chin, A. W. et al. The role of non-equilibrium vibrational structures in electronic coherence and recoherence in pigment–protein complexes. *Nat. Phys.* **9**, 113–118 (2013).
- Lee, M. K., Huo, P. & Coker, D. F. Semiclassical path integral dynamics: photosynthetic energy transfer with realistic environment interactions. *Annu. Rev. Phys. Chem.* **67**, 639–668 (2016).
- Barford, W. *Electronic and Optical Properties of Conjugated Polymers* (Oxford University Press, Oxford, 2013).
- McCutcheon, D. P. S., Dattani, N. S., Gauger, E. M., Lovett, B. W. & Nazir, A. A general approach to quantum dynamics using a variational master equation: application to phonon-damped rabi rotations in quantum dots. *Phys. Rev. B* **84**, 081305 (2011).
- McCutcheon, D. P. S. & Nazir, A. Coherent and incoherent dynamics in excitonic energy transfer: correlated fluctuations and off-resonance effects. *Phys. Rev. B* **83**, 165101 (2011).
- Kaer, P., Nielsen, T. R., Lodahl, P., Jauho, A.-P. & Mørk, J. Non-Markovian model of photon-assisted dephasing by electron–phonon interactions in a coupled quantum-dot–cavity system. *Phys. Rev. Lett.* **104**, 157401 (2010).
- Roy, C. & Hughes, S. Influence of electron–acoustic-phonon scattering on intensity power broadening in a coherently driven quantum-dot–cavity system. *Phys. Rev. X* **1**, 021009 (2011).
- Segal, D. & Agarwalla, B. K. Vibrational heat transport in molecular junctions. *Annu. Rev. Phys. Chem.* **67**, 185–209 (2016).
- Subotnik, J. E. et al. Understanding the surface hopping view of electronic transitions and decoherence. *Annu. Rev. Phys. Chem.* **67**, 387–417 (2016).
- Bylicka, B., Chruściński, D. & Maniscalco, S. Non-Markovianity and reservoir memory of quantum channels: a quantum information theory perspective. *Sci. Rep.* **4**, 5720 (2014).
- Xiang, G.-Y. et al. Entanglement distribution in optical fibers assisted by nonlocal memory effects. *Phys. Lett.* **107**, 54006 (2014).
- Mahan, G. D. *Many Particle Physics* 3rd edn (Springer, Berlin, 2000).
- Jang, S. Theory of coherent resonance energy transfer for coherent initial condition. *J. Chem. Phys.* **131**, 164101 (2009).
- Cohen, G., Gull, E., Reichman, D. R. & Millis, A. J. Taming the dynamical sign problem in real-time evolution of quantum many-body problems. *Phys. Rev. Lett.* **115**, 266802 (2015).
- Chen, H.-T., Cohen, G. & Reichman, D. R. Inchworm Monte Carlo for exact non-adiabatic dynamics. ii. Benchmarks and comparison with established methods. *J. Chem. Phys.* **146**, 054106 (2017).
- Yoshitaka, T. & Kubo, R. Time evolution of a quantum system in contact with a nearly Gaussian-Markoffian noise bath. *J. Phys. Soc. Jpn.* **58**, 101–114 (1989).
- Garraway, B. M. Non-perturbative decay of an atomic system in a cavity. *Phys. Rev. A* **55**, 2290–2303 (1997).
- Iles-Smith, J., Lambert, N. & Nazir, A. Environmental dynamics, correlations, and the emergence of noncanonical equilibrium states in open quantum systems. *Phys. Rev. A* **90**, 032114 (2014).
- Schröder, F. A. Y. N. et al. Multi-dimensional tensor network simulation of open quantum dynamics in singlet fission. Preprint at <https://arxiv.org/abs/1710.01362> (2017).
- Makri, N. & Makarov, D. E. Tensor propagator for iterative quantum time evolution of reduced density matrices. I. Theory. *J. Chem. Phys.* **102**, 4600 (1995).
- Makri, N. & Makarov, D. E. Tensor propagator for iterative quantum time evolution of reduced density matrices. II. Numerical methodology. *J. Chem. Phys.* **102**, 4611 (1995).
- Leggett, A. J. et al. Dynamics of the dissipative two-state system. *Rev. Mod. Phys.* **59**, 1–85 (1987).
- Nalbach, P., Ishizaki, A., Fleming, G. R. & Thorwart, M. Iterative path-integral algorithm versus cumulant time-nonlocal master equation approach for dissipative biomolecular exciton transport. *N. J. Phys.* **13**, 063040 (2011).
- Thorwart, M., Eckel, J. & Mucciolo, E. R. Non-Markovian dynamics of double quantum dot charge qubits due to acoustic phonons. *Phys. Rev. B* **72**, 235320 (2005).
- Sim, E. Quantum dynamics for a system coupled to slow baths: on-the-fly filtered propagator method. *J. Chem. Phys.* **115**, 4450–4456 (2001).
- Lambert, R. & Makri, N. Memory propagator matrix for long-time dissipative charge transfer dynamics. *Mol. Phys.* **110**, 1967–1975 (2012).
- Schollwöck, U. The density-matrix renormalization group in the age of matrix product states. *Ann. Phys. (NY)* **326**, 96–192 (2011).
- Orús, R. A practical introduction to tensor networks: matrix product states and projected entangled pair states. *Ann. Phys. (NY)* **349**, 117–158 (2014).
- White, S. R. Density matrix formulation for quantum renormalization groups. *Phys. Rev. Lett.* **69**, 2863–2866 (1992).
- Derrida, B., Evans, M. R., Hakim, V. & Pasquier, V. Exact solution of a 1d asymmetric exclusion model using a matrix formulation. *J. Phys. A* **26**, 1493 (1993).
- Vidal, G. Efficient classical simulation of slightly entangled quantum computations. *Phys. Rev. Lett.* **91**, 147902 (2003).

40. Florens, S., Venturelli, D. & Narayanan, R. in *Quantum Quenching, Annealing and Computation* (eds Chandra, A. K., et al.) 145–162 (Springer, Berlin, Heidelberg, 2010).
41. Le Hur, K. in *Understanding Quantum Phase Transitions* (ed. Carr, L.) (CRC Press, New York, 2010)
42. Bulla, R., Tong, N.-H. & Vojta, M. Numerical renormalization group for bosonic systems and application to the sub-ohmic spin-boson model. *Phys. Rev. Lett.* **91**, 170601 (2003).
43. Kessler, E. M. et al. Dissipative phase transition in a central spin system. *Phys. Rev. A* **86**, 012116 (2012).
44. Orth, P. P., Roosen, D., Hofstetter, W. & Le Hur, K. Dynamics, synchronization, and quantum phase transitions of two dissipative spins. *Phys. Rev. B* **82**, 144423 (2010).
45. Winter, A. & Rieger, H. Quantum phase transition and correlations in the multi-spin-boson model. *Phys. Rev. B* **90**, 224401 (2014).
46. McCutcheon, D. P. S., Nazir, A., Bose, S. & Fisher, A. J. Separation-dependent localization in a two-impurity spin-boson model. *Phys. Rev. B* **81**, 235321 (2010).
47. Nalbach, P., Eckel, J. & Thorwart, M. Quantum coherent biomolecular energy transfer with spatially correlated fluctuations. *N. J. Phys.* **12**, 065043 (2010).
48. Johnson, T. H., Elliott, T. J., Clark, S. R. & Jaksch, D. Capturing exponential variance using polynomial resources: applying tensor networks to non-equilibrium stochastic processes. *Phys. Rev. Lett.* **114**, 090602 (2015).
49. Oseledets, I. V. Tensor-train decomposition. *J. Sci. Comput.* **33**, 2295–2317 (2011).
50. Stoudenmire, E. & Schwab, D. J. in *Advances in Neural Information Processing Systems 29* (eds Lee, D. D. et al.) 4799–4807 (Curran Associates, Red Hook, 2016).
51. Ferris, A. J. & Vidal, G. Perfect sampling with unitary tensor networks. *Phys. Rev. B* **85**, 165146 (2012).
52. Guo, C., Weichselbaum, A., von Delft, J. & Vojta, M. Critical and strong-coupling phases in one- and two-bath spin-boson models. *Phys. Rev. Lett.* **108**, 160401 (2012).
53. Cerrillo, J. & Cao, J. Non-Markovian dynamical maps: numerical processing of open quantum trajectories. *Phys. Rev. Lett.* **112**, 110401 (2014).
54. Barth, A. M., Vagov, A. & Axt, V. M. Path-integral description of combined Hamiltonian and non-Hamiltonian dynamics in quantum dissipative systems. *Phys. Rev. B* **94**, 125439 (2016).
55. Trotter, H. F. On the product of semi-groups of operators. *Proc. Am. Math. Soc.* **10**, 545–551 (1959).
56. Suzuki, M. Generalized Trotter's formula and systematic approximants of exponential operators and inner derivations with applications to many-body problems. *Comm. Math. Phys.* **51**, 183–190 (1976).
57. Stoudenmire, E. M. & White, S. R. Minimally entangled typical thermal state algorithms. *N. J. Phys.* **12**, 055026 (2010).
58. Cygorek, M., Barth, A. M., Ungar, F., Vagov, A. & Axt, V. M. Nonlinear cavity feeding and unconventional photon statistics in solid-state cavity QED revealed by many-level real-time path-integral calculations. *Phys. Rev. B* **96**, 201201 (2017).
59. Vagov, A., Croitoru, M. D., Glässl, M., Axt, V. M. & Kuhn, T. Real-time path integrals for quantum dots: quantum dissipative dynamics with superohmic environment coupling. *Phys. Rev. B* **83**, 094303 (2011).
60. Strathearn, A., Lovett, B. W. & Kirton, P. Efficient real-time path integrals for non-Markovian spin-boson models. *N. J. Phys.* **19**, 093009 (2017).
61. Stace, T. M., Doherty, A. C. & Barrett, S. D. Population inversion of a driven two-level system in a structureless bath. *Phys. Rev. Lett.* **95**, 106801 (2005).

Acknowledgements

We thank T.M. Stace for useful discussions and J. Iles-Smith for comments on an earlier version of this paper. A.S. acknowledges a studentship from EPSRC (EP/L505079/1). P.K. acknowledges support from EPSRC (EP/M010910/1). D.K. acknowledges support from the EPSRC CM-CDT (EP/L015110/1). J.K. acknowledges support from EPSRC programs 'TOPNES' (EP/I031014/1) and 'Hybrid Polaritonics' (EP/M025330/1). B.W.L. acknowledges support from EPSRC (EP/K025562/1). This work used EPCC's Cirrus HPC Service (<https://www.epcc.ed.ac.uk/cirrus>).

Author contributions

The TEMPO code was developed by A.S., P.K. and D.K., following the identification of the MPS representation by J.K. Analysis of the two applications was performed by A.S., P.K. and B.W.L.. The project was directed by J.K. and B.W.L.. All authors contributed to the writing of the manuscript.

Additional information

Supplementary Information accompanies this paper at <https://doi.org/10.1038/s41467-018-05617-3>.

Competing interests: The authors declare no competing interests.

Reprints and permission information is available online at <http://npg.nature.com/reprintsandpermissions/>

Publisher's note: Springer Nature remains neutral with regard to jurisdictional claims in published maps and institutional affiliations.



Open Access This article is licensed under a Creative Commons Attribution 4.0 International License, which permits use, sharing, adaptation, distribution and reproduction in any medium or format, as long as you give appropriate credit to the original author(s) and the source, provide a link to the Creative Commons license, and indicate if changes were made. The images or other third party material in this article are included in the article's Creative Commons license, unless indicated otherwise in a credit line to the material. If material is not included in the article's Creative Commons license and your intended use is not permitted by statutory regulation or exceeds the permitted use, you will need to obtain permission directly from the copyright holder. To view a copy of this license, visit <http://creativecommons.org/licenses/by/4.0/>.

© The Author(s) 2018