



2022 Consensus statement on the management of familial hypercholesterolemia in Korea

Chan Joo Lee¹, Minjae Yoon², Hyun-Jae Kang³, Byung Jin Kim⁴, Sung Hee Choi⁵, In-Kyung Jeong⁶, Sang-Hak Lee¹, and on behalf of Task Force Team for Familial Hypercholesterolemia, Korean Society of Lipid and Atherosclerosis

¹Division of Cardiology, Department of Internal Medicine, Severance Hospital, Yonsei University College of Medicine, Seoul; ²Cardiovascular Center, Department of Internal Medicine, Seoul National University Bundang Hospital, Seoul National University College of Medicine, Seongnam; ³Department of Internal Medicine, Seoul National University Hospital, Seoul National University College of Medicine, Seoul;

⁴Division of Cardiology, Department of Internal Medicine, Kangbuk Samsung Hospital, Sungkyunkwan University School of Medicine, Seoul;

⁵Department of Internal Medicine, Seoul National University Bundang Hospital, Seoul National University College of Medicine, Seongnam;

⁶Department of Endocrinology and Metabolism, Kyung Hee University Hospital at Gangdong, College of Medicine, Kyung Hee University, Seoul, Korea

Familial hypercholesterolemia (FH) is the most common monogenic disorder. Due to the marked elevation of cardiovascular risk, the early detection, diagnosis, and proper management of this disorder are critical. Herein, the 2022 Korean guidance on this disease is presented. Clinical features include severely elevated low-density lipoprotein cholesterol (LDL-C) levels, tendon xanthomas, and premature coronary artery disease. Clinical diagnostic criteria include clinical findings, family history, or pathogenic mutations in the *LDLR*, *APOB*, or *PCSK9*. Proper suspicion of individuals with typical characteristics is essential for screening. Cascade screening is known to be the most efficient diagnostic approach. Early initiation of lipid-lowering therapy and the control of other risk factors are important. The first-line pharmacological treatment is statins, followed by ezetimibe, and PCSK9 inhibitors as required. The ideal treatment targets are 50% reduction and < 70 or < 55 mg/dL (in the presence of vascular disease) of LDL-C, although less strict targets are frequently used. Homozygous FH is characterized by untreated LDL-C > 500 mg/dL, xanthoma since childhood, and family history. In children, the diagnosis is made with criteria, including items largely similar to those of adults. In women, lipid-lowering agents need to be discontinued before conception.

Keywords: Genetics; Atherosclerosis; Risk factors; Lipid metabolism; Hyperlipoproteinemia type II

Correspondence to Sang-Hak Lee, M.D.

Division of Cardiology, Department of Internal Medicine, Severance Hospital, Yonsei University College of Medicine, 50-1 Yonsei-ro, Seodaemun-gu, Seoul 03722, Korea
Tel: +82-2-2228-8460, Fax: +82-2-2227-7732, E-mail: sh1106@yuhs.ac
<https://orcid.org/0000-0002-4535-3745>

Received : March 28, 2022
Accepted : May 26, 2022

This manuscript is co-published by the *Korean Journal of Internal Medicine* and *Journal of Lipid and Atherosclerosis* for facilitated distribution.

CONSENSUS SUMMARY

Characteristics	Familial hypercholesterolemia (FH) causes severe elevation of total- and low-density lipoprotein cholesterol (LDL-C), but characteristic physical findings are present in a small part of affected individuals.
Risk	Patients with FH have high cardiovascular risk. Conventional risk calculators are not appropriate for risk estimation.
Diagnosis	Other secondary and primary causes need to be excluded before diagnosis. Dutch or Simon Broome criteria are used to diagnose FH in adults with LDL-C \geq 190 mg/dL or premature coronary artery disease (CAD) plus family history of CAD or severe hypercholesterolemia. Currently, diagnosing FH based on these criteria seems most reasonable. It is appropriate to apply criteria (definite, probable, or possible) according to the diagnostic purpose. Genetic testing includes three genes, <i>LDLR</i> , <i>APOB</i> , <i>PCSK9</i> . However, a diagnosis cannot be ruled out even if pathogenic variants are absent. Genetic testing can be recommended for adults with LDL-C \geq 190 mg/dL plus FH-compatible family history.
Screening	Assaying LDL-C levels is crucial for the early detection and treatment of FH. Individuals with the following conditions needs to be considered for FH: premature CAD (< 55 years in men or < 60 years in women), or severe elevation of LDL-C (\geq 190 mg/dL in adults and \geq 150 mg/dL in children), or tendon xanthomas in themselves or relatives, or family history of premature cardiovascular disease. When an index case is diagnosed, cascade screening in family members or relatives is most efficient for the early detection of new cases.
Treatment	Earlier lipid-lowering therapy (LLT) is important when FH is diagnosed. Simultaneous control of other cardiovascular risk factors is essential. Lifestyle modification needs to be performed. The first-line agent is statins, usually in high-intensity. Ezetimibe can be added as the second-line agent. PCSK9 inhibitors can be added if patients do not achieve the LDL-C target with maximal tolerable dose of statin/ezetimibe combination. Ideal LDL-C targets are < 55 mg/dL in patients with FH and atherosclerotic cardiovascular disease or major risk factors and < 70 mg/dL in those without these conditions. However, 50% reduction and less strict levels of LDL-C are frequently recommended as realistic second best targets.
Homozygous FH	European diagnostic criteria are used and consider DNA mutation, LDL-C elevation (> 500 mg/dL), tendon xanthoma from childhood, and family history. Referral to a lipid specialist is recommended, and regular screening for cardiovascular complications is needed. Earlier and aggressive LLT is critical.
Special populations	In children, FH is diagnosed with LDL-C elevation (\geq 160 mg/dL but can be lower in mutation-positive families) plus a family history of premature CAD or LDL-C elevation or positive genetic testing. Repeated testing for cholesterol can be needed after puberty. With lifestyle modification, statins can be considered to achieve LDL-C of 135 mg/dL from the age of 8 to 10. Ongoing lipid-lowering agents need to be discontinued before conception or breastfeeding in women with lifestyle modification. For pregnant women with severe FH, bile acid-binding resin and/or LDL apheresis can be considered.

INTRODUCTION

Familial hypercholesterolemia (FH; indicating a heterozygous form in this article unless otherwise defined) is the most common monogenic hereditary disorder with an autosomal dominant pattern. The reported frequency is approximately 1/200 to 1/500 [1,2]. However, regional variations may exist. The exact prevalence in Korea has not yet been reported, although it may be similar to that in other countries. FH cases have been reported since the 1980s in Korea [3,4].

LDLR, *APOB*, and *PCSK9* are common targets of pathogenic variants (PVs), and there are various mutations in each gene. Other rare PVs have been reported. A substantial number of patients with a phenotype compatible with FH show no PVs. Therefore, even though it is a hereditary disease, clinical diagnostic criteria play an important role in its diagnosis. In general, there is no unified diagnostic standard, and various clinical criteria are used in each country. Cardiovascular risk is elevated up to 10 times and complications such as coronary artery disease (CAD) occur earlier than in the general population [5]. Early aggressive lipid-lowering can reduce cardiovascular risk in patients with FH. Therefore, active screening for early diagnosis is critical. Considering the distribution of low-density lipoprotein cholesterol (LDL-C) levels in Koreans, a large number of individuals are expected to be diagnosed with FH based on the current cut-offs of major foreign criteria. However, there are limited data on Korean patients with FH, and awareness of FH among medical personnel and the public is very low. Therefore, the aim of this article was to provide current epidemiological data of FH in Korea and increase awareness, interest, and early detection rate of this disease. In addition, the authors summarized expert consensus to guide appropriate and updated treatment of FH. The authors have obtained informed consent from patients.

CLINICAL AND GENETIC CHARACTERISTICS OF FH

Typical physical findings are tendon xanthoma (Fig. 1A) and premature arcus cornealis. However, their sensitivities are low, and many affected patients do not have these manifestations. In addition, thickened Achilles tendon can be revealed by lateral ankle X-ray (Fig. 1B). Briefly, the angle between the lower leg bone and sole should be 90 degrees. The imaging distance is 120 cm and the following imaging conditions need to be applied: 50 kV and 5.0 mAs [6]. Achilles tendon thickness and width can be measured by ultrasonography (Fig. 1C). The measurement is usually performed with ankles flexed at 90 degrees and images are obtained with horizontal and linear sections. The Korean FH registry 2020 demonstrated that clinically diagnosed patients with FH had median total cholesterol and LDL-C levels of 306 and 221 mg/dL, respectively, and the prevalence of tendon xanthoma and CAD was 20% and 19%, respectively. Among registered patients, 60%, 36%, and 3% had a family history of severe hypercholesterolemia, premature CAD, and tendon xanthoma, respectively [7].

In the same study, 104 (35.1%) of 296 patients with FH exhibited PVs. Missense, copy number variation, and frame-shift variants, in order of frequency, were commonly found (Fig. 2A). The most common location of the *LDLR* variant was p.P685L (Fig. 2B) [7].

CARDIOVASCULAR RISK OF FH

If untreated, patients with heterozygous FH (HeFH) show an elevated risk of CAD up to 10 times before the age of 55 (male) or 60 (female), particularly those with definite or probable types [5]. A study supported by the Korean Soci-

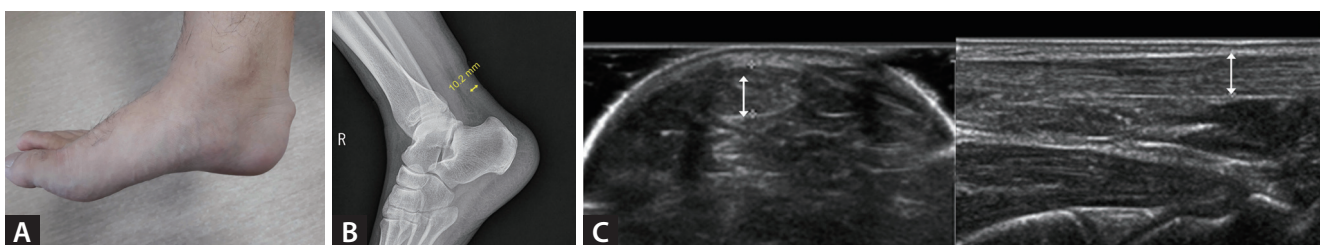


Figure 1. (A) Lateral picture of Achilles tendon xanthoma. (B) Lateral ankle X-ray showing thickened Achilles tendon. (C) Ultrasonographic findings of thickened Achilles tendon (double arrow) with horizontal (left) and sagittal (right) views.

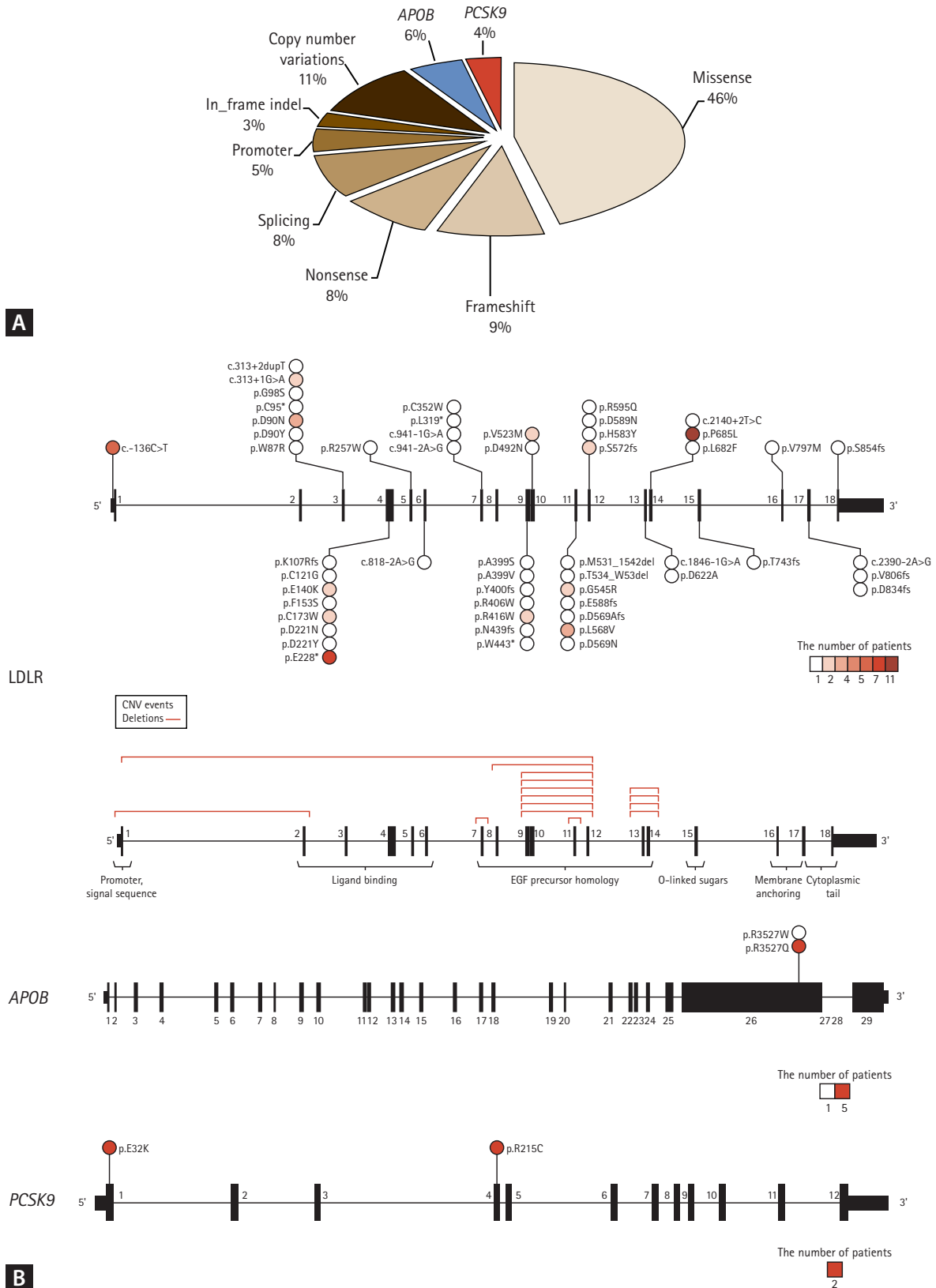


Figure 2. (A) Frequency of pathogenic variant types in familial hypercholesterolemia-associated genes in Korean patients. (B) Location and characteristics of pathogenic variants presented on each gene [7]. CNV, copy number variation; EGF, epidermal growth factor.

ety of Lipid and Atherosclerosis analyzed a nationwide cohort of 2.3 million individuals. During a median follow-up of 6.1 years, those with LDL-C of 190–224, 225–259, and ≥ 260 mg/dL had up to 2.4-times higher risk of cardiovascular risk (myocardial infarction, coronary revascularization, or ischemic stroke) compared to those with LDL-C < 160 mg/dL. All-cause death occurred up to 2.3 times more frequently in individuals with LDL-C levels ≥ 190 mg/dL [8].

Estimating cardiovascular risk using well known risk calculators in patients with FH is inappropriate. LDL-C levels in these patients increase from a young age, and such calculations may lead to risk underestimation [9]. In this regard, the American guidelines for lipid-lowering therapy (LLT) classify individuals with LDL-C ≥ 190 mg/dL as a statin benefit group whose cardiovascular risk is eligible for pharmacological therapy [10]. The 2019 European guidelines classify patients with FH into very high -or high-risk groups according to the presence of other risk factors [5]. These include traditional factors, such as age, male sex, hypertension, smoking, LDL-C, history of atherosclerotic cardiovascular disease, and body mass index [11]. A Korean registry supported by the Korean Society of Lipid and Atherosclerosis similarly report-

ed that hypertension and low high-density lipoprotein cholesterol (HDL-C) levels were predictors of clinical outcomes in patients with FH [12].

DIAGNOSIS OF FH

Clinical diagnosis

The Dutch Lipid Clinic Network Criteria are most commonly used globally (Table 1) [5], and the Simon Broome criteria are also frequently used (Table 2) [13]. Currently, diagnosing FH based on these criteria seems most reasonable. Both criteria include LDL-C levels, physical findings such as tendon xanthoma, family history of premature CAD or severe hypercholesterolemia, and DNA mutations. A few countries have their own criteria for clinical diagnoses. In Canada and Japan, they analyzed models including LDL-C levels, clinical findings, and family history, and determined criteria with optimal sensitivity and specificity [14,15]. The Korean FH registry 2020 revealed that the rates of PV carriers were 50% to 64% when the patients were classified as definite or probable types by the Dutch or Simon Broome criteria [7].

Table 1. Dutch Lipid Clinic Network diagnostic criteria for FH

Criteria	Points
1) Family history	
1st-degree relative with known premature (men < 55 years; women < 60 years) coronary or vascular disease, or 1st-degree relative with known LDL-C > 95 th percentile	1
1st-degree relative with tendinous xanthoma and/or arcus cornealis, or children < 18 years with LDL-C > 95 th percentile	2
2) Clinical history	
Patient with premature CAD	2
Patient with premature cerebral or peripheral vascular disease	1
3) Physical examination	
Tendon xanthoma	6
Arcus cornealis at age < 45 years	4
4) LDL-C (without treatment)	
> 8.5 mmol/L (325 mg/dL)	8
6.5–8.4 mmol/L (251–325 mg/dL)	5
5.0–6.4 mmol/L (191–250 mg/dL)	3
4.0–4.9 mmol/L (155–190 mg/dL)	1
5) DNA analysis	
Functional mutation in the <i>LDLR</i> , <i>APOB</i> , or <i>PCSK9</i> genes	8
Choose only one score per group, the highest applicable, diagnosis is based on the total number of points	
'definite' FH: > 9 points	
'probable' FH: 6–8 points	
'possible' FH: 3–5 points	

FH, familial hypercholesterolemia; LDL-C, low-density lipoprotein cholesterol; CAD, coronary artery disease.

Not surprisingly, the sensitivity and specificity were inversely correlated according to the criteria used. Thus, it may be less effective to identify patients when definite-type diagnostic criteria are applied. It is preferable to use criteria with high sensitivity for patient screening, whereas it is appropriate to use criteria with high specificity for cascade screening [16]. It may be helpful to choose diagnostic criteria flexibly according to diagnostic purpose.

Currently, Korean data for the unique diagnostic criteria of FH are insufficient. However, the Korean FH registry 2020 analyzed LDL-C distributions in the general population and patients with FH and reported cut-off values of total cholesterol and LDL-C of 250 and 177 mg/dL, respectively (Fig. 3A). For PV carriers, the cut-off values of total cholesterol and LDL-C with optimal sensitivity and specificity were 325 and 225 mg/dL, respectively (Fig. 3B) [7]. Therefore, these values may be used when screening FH or cascade screening within a family in Korea.

Genetic diagnosis

Although FH is a genetic disease, genetic testing is performed on a small number of individuals with suspected FH. Genetic testing is beneficial for (1) clearer diagnosis, (2) refining risk assessment and subsequent promotion of LLT, and (3) making cascade screening more efficient [17]. A recent study demonstrated that the cardiovascular risk of PV carriers is three times higher than that of those with similar physical signs but without PVs [18]. As previously mentioned, the prevalence of PV carriers can vary according to the type of clinical diagnosis. FH diagnosis cannot be ruled out when a person has an FH-compatible phenotype and family history, even if PVs are not identified in genetic testing. Such cases may be of polygenic origin, technical prob-

lems, autosomal recessive PVs of the *LDLRAP1* gene, or a variant of a novel gene.

The target genes of FH genetic testing are *LDLR*, *APOB*, and *PCSK9*. Due to gradual cost reduction, many institutes recently examine these three genes using next-generation sequencing and deletion/duplication analysis. Similar to data from other countries, copy number variations are found in approximately 10% of PV carriers, but this type of PV requires multiplex ligation-dependent probe amplification or the TaqMan method for validation [7]. When a PV is identified, it is critical to properly interpret whether it is a causative variant. There are few databases on *LDLR* variants. The pathogenicity of the associated genes is classified according to the guidelines of the American College of Medical Genetics and Genomics and the Association of Molecular Pathology [19]. However, many reported variants are interpreted as variants of uncertain significance [20]. In such cases, variant functionality can be tested using co-segregation within the family (Fig. 4) [21].

Candidates for genetic testing usually include adults with LDL-C \geq 190 mg/dL in the absence of other secondary causes, children or adolescents with LDL-C \geq 160 mg/dL and a family history of premature CAD or severe hypercholesterolemia. As the cost is partly covered by the National Health Insurance Service (NHIS), further awareness and information on FH in health professionals seems to increase the clinical and genetic diagnosis rate of the patients.

Differential diagnosis

Other secondary and primary hypercholesterolemia should also be ruled out. Secondary etiologies include hypothyroidism, nephrotic syndrome, cholestasis, acute intermittent porphyria, and pharmacological agents (e.g., thiazide and

Table 2. Simon Broome diagnostic criteria for FH

Definite FH	If they have a cholesterol level as defined below and tendon xanthomas, or these signs in 1st- or 2nd-degree relatives or DNA-based evidence of <i>LDLR</i> , <i>APOB</i> , or <i>PCSK9</i> mutation		
Possible FH	If they have a cholesterol level as defined below and at least one of the following: Family history of MI: at age < 50 years in 2nd-degree relative or at age < 60 years in 1st-degree relative Family history of high TC: > 7.5 mmol/L (290 mg/dL) in adult 1st- or 2nd-degree relative or > 6.7 mmol/L (260 mg/dL) in child, brother or sister aged < 16 years		
Cholesterol level	TC	LDL-C	
Child	> 6.7 mmol/L (260 mg/dL)	> 4.0 mmol/L (155 mg/dL)	
Adult	> 7.5 mmol/L (290 mg/dL)	> 4.9 mmol/L (190 mg/dL)	

FH, familial hypercholesterolemia; MI, myocardial infarction; TC, total cholesterol; LDL-C, low-density lipoprotein cholesterol.

cyclosporine) [22]. The primary etiologies include sitosterolemia and familial combined hyperlipidemia. Sitosterolemia, a rare genetic disease, is accompanied by high levels of circulating plant sterols and is caused by loss-of-function mutations in *ABCG5/8*. This occurs in 1/200,000 people. LDL-C levels can vary but are very high in some affected individuals, such as children, and can be influenced by diet. Although confirmative diagnosis requires the identification of pathogenic mutations, lack of facility for sitosterol assay and genetic testing can be an obstacle [23]. Individuals with familial combined hyperlipidemia show high very-low-density lipoprotein and LDL-C levels and low HDL-C levels. The

prevalence is 1/100 to 200. Familial hyperlipidemia is an important cause of premature CAD. Although the molecular background is uncertain, a polygenic cause is a plausible mechanism, and secondary factors can also affect the phenotype. Patients typically have total cholesterol of 200 to 400 mg/dL, triglyceride of 200 to 600 mg/dL, HDL-C of < 40 to 50 mg/dL and family history. To date, there is no standard definition of this disease, but the most common clues are simultaneous elevation of apoB (≥ 120 mg/dL) and triglycerides (≥ 133 mg/dL) [24].

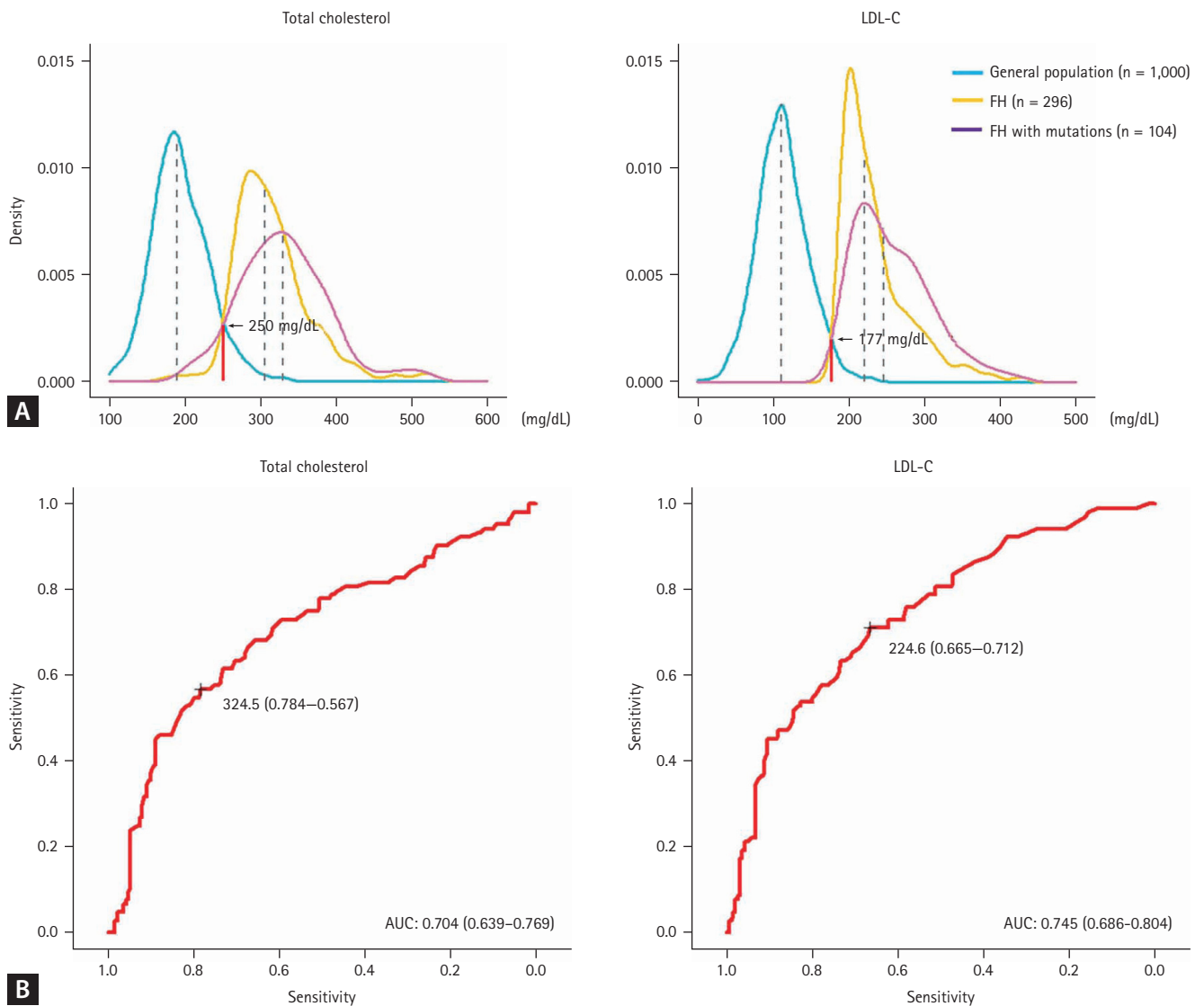


Figure 3. (A) Distribution of blood cholesterol levels in the general population and individuals with familial hypercholesterolemia (FH). (B) Receiver operating characteristic curves for total and low-density lipoprotein cholesterol (LDL-C) and the presence of pathogenic variants [7]. AUC, area under the curve.

SCREENING OF FH

The prevalence of FH may be higher than that in previous reports in many countries because of underdiagnosis due to a lack of awareness of its clinical significance. Guidelines and consensus statements on FH referred to the importance of screening, especially cascade screening, for early diagnosis of FH [6,17,25,26]. In addition, they suggested FH screening in accordance with country-specific situations and consensus. Assaying LDL-C levels is crucial for the early detection and treatment of FH, as patients with this disease are usually asymptomatic until atherosclerotic cardiovascular disease (ASCVD) occurs. The 2018 Korean guidelines on dyslipidemia recommended universal screening of dyslipidemia in adults aged ≥ 21 years and younger with other risk factors every 4 to 6 years (i.e., family history of cardiovascular disease and severe dyslipidemia) [27]. However, if a person has a family history of cardiovascular risk factors, lipid tests can be performed at any age.

FH needs to be considered in individuals with CAD aged < 55 years for men and < 60 years for women, or severe

elevation of LDL-C (≥ 190 mg/dL in adults and ≥ 150 mg/dL in children), or tendon xanthomas in themselves or relatives, or family history of premature cardiovascular disease [5,27]. Individuals with skin xanthoma, xanthelasma, or premature arcus cornealis should also be considered for FH screening. However, many patients with FH take lipid-lowering agents before they are suspected of having FH. Therefore, the detection of patients tends to be delayed. In this regard, it is critical to improve awareness of FH among health professionals to check the clinical findings and family history compatible with this disease.

Cascade screening of family members of index cases is well known as the most efficient and cost-effective approach for the early detection and treatment of new FH. Cascade screening includes lipid profiles and genetic testing of the first-degree relatives of an index case. Well-organized screening programs can improve FH outcomes, and many countries are introducing programs adapted to each country. Universal screening is another way to detect patients with FH and is undertaken in some countries [13].

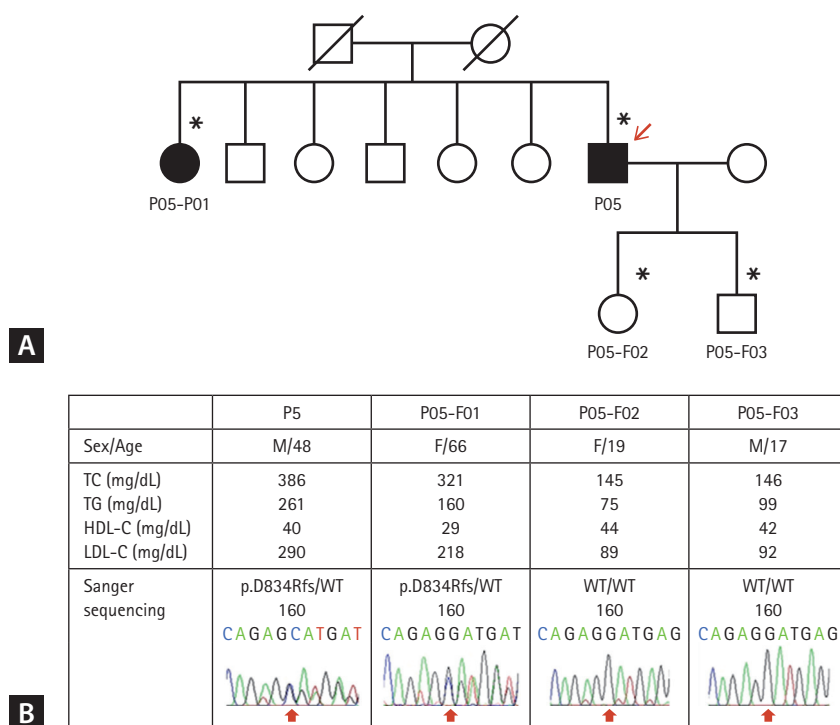


Figure 4. A Pedigree analysis of a patient with *LDLR* p.D834Rfs/- mutation. (A) A simplified pedigree of the P05 family. The upper right arrow indicates the proband; squares indicate males, and circles indicate females. Open and filled symbols indicate unaffected and affected individuals, respectively. Asterisks indicate family members who underwent clinical examinations and molecular analyses. (B) Clinical examination data and sequencing chromatograms. Vertical arrows indicate mutation site [21]. WT, wild-type; TC, total cholesterol; TG, triglyceride; HDL-C, high-density lipoprotein cholesterol; LDL-C, low-density lipoprotein cholesterol.

TREATMENT OF FH

It is critical to initiate LLT as soon as possible when FH is diagnosed. The simultaneous control of other cardiovascular risk factors is essential because the main purpose of FH treatment is to prevent ASCVD. Non-pharmacological therapies, such as therapeutic diet modification and exercise are largely similar to other guidelines for dyslipidemia [13,27]. Briefly, total fat, saturated fat, trans-fatty acid, cholesterol, carbohydrate, sugar, and alcohol intake needs to be limited, and their limits are suggested. Conversely, the active intake of fiber-rich food, whole- and multigrain, vegetables, fish, and fresh fruits is recommended. Regular performance of aerobic and resistance exercises is recommended [27]. Moderate-intensity aerobic exercise at least 30 minutes for four to six times a week and regular resistance exercise at least twice a week are recommended.

The first-line pharmacotherapy is statins, which are usually administered at a high-intensity. Many patients may not reach the LDL-C target with statin monotherapy, and ezetimibe can be added as a second-line agent. PCSK9 inhibitors can be added if patients do not achieve the target with a maximal tolerable dose of statin plus ezetimibe (Table 3) [5,15,28,29]. A study supported by the Korean Society of Lipid and Atherosclerosis found that achievement rates of LDL-C < 100 mg/dL or 50% reduction of LDL-C by the maximal statin/ezetimibe combination were not high in Koreans with FH [30]. Notably, the response to LLT can be affected by an individual's genotype associated with FH [31].

Statin

Most international guidelines currently recommend maximal tolerable dose statins as the first-line therapy in patients with FH (Table 3) [5,29]. No randomized clinical trials have

Table 3. Recommendation of drugs for lipid-lowering therapy

Drugs	Recommendation	2019 European	2018 American	2018 Korean
Statin	Up to maximal tolerable dose to reach LDL-C target.	I	I	I
Ezetimibe	Combine with a statin when the LDL-C target is not reached.	I	IIa	IIa
	In the case of statin intolerance.	IIa		IIa
PCSK9 inhibitors	In secondary prevention with very high-risk ^a When high LDL-C persists despite maximal tolerable dose statin/ezetimibe.	I	IIa	IIb
	In primary prevention with FH & very high-risk ^a When high LDL-C persists despite maximal tolerable dose statin/ezetimibe.	I	IIb	
	In the case of statin intolerance	IIb		
Bile acid-binding resin	Combine with a statin when the LDL-C target is not reached.		IIb	IIb
	In the case of statin intolerance		IIb	IIa

Class I recommendation means "is recommended or is indicated" and defined when evidence and/or general agreement that a given treatment is beneficial. Class II recommendation is defined when conflicting evidence and/or divergence of opinion about the efficacy of the given treatment. Class IIa means "should be considered" and is defined when weight of evidence/opinion is in favor of efficacy. Class IIb means "may be considered" and defined when efficacy is less well established by evidence.

LDL-C, low-density lipoprotein cholesterol; PCSK9, proprotein convertase subtilisin/kexin type 9; FH, familial hypercholesterolemia.

^aIn European guidelines, very high-risk group is defined as documented atherosclerotic cardiovascular disease (ASCVD), diabetes mellitus (DM) with target organ damage or \geq three major risk factor, type 1 DM of long duration, severe chronic kidney disease (estimated glomerular filtration rate [eGFR] < 30 mL/min/1.73 m²), calculated SCORE (risk assessment model to estimate 10-year risk of cardiovascular disease in Europe) \geq 10%, or FH with ASCVD or major risk factors. In American guidelines, very high-risk of future ASCVD events is defined as multiple major ASCVD events or one major event and multiple high-risk conditions as follows. Major ASCVD events include recent acute coronary syndrome, history of myocardial infarction or ischemic stroke, and symptomatic peripheral artery disease. High-risk conditions include age 65 years, heterozygous FH, history of coronary revascularization, DM, hypertension, chronic kidney disease (eGFR 15 to 59 mL/min/1.73 m²), current smoking, persistently elevated LDL-C \geq 100 mg/dL despite maximal tolerable dose statin and ezetimibe, and history of congestive heart failure. In Korean guidelines, very high-risk group is defined as coronary artery disease, atherosclerotic ischemic stroke and transient ischemic attack, and peripheral artery disease.

investigated the effects of statins in patients with FH. However, a cohort study from the Netherlands showed a 76% lower risk of coronary heart disease in patients with FH who received statin therapy at lower dose than the current guidelines [32]. In addition, a retrospective study from the Netherlands demonstrated a 50% reduction in CAD occurrence and mortality with moderate- to high-intensity statin therapy [33]. Furthermore, meta-analysis provides evidence of the benefits of intensive statin therapy [34].

Ezetimibe

The most recent guidelines recommend this agent as a second-line drug for LLT (Table 3). Ezetimibe, a cholesterol absorption inhibitor, reduces cardiovascular events when combined with a moderate-intensity statin [35]. Another study showed that a combination of statin and ezetimibe induced plaque regression compared to statin monotherapy [36]. Statin/ezetimibe combination results in strong LDL-C reduction ($\geq 50\%$ from the baseline) and is relatively safe tool of LLT [37].

PCSK9 inhibitor-monoclonal antibodies

These agents are recommended in patients with FH and are very high-risk when the LDL-C target is not achieved after the use of maximal tolerable dose statin/ezetimibe (Table 3). The results of the Further Cardiovascular Outcomes Research with PCSK9 Inhibition in Subjects with Elevated Risk (FOURIER) [38] and Evaluation of Cardiovascular Outcomes After an Acute Coronary Syndrome During Treatment With Alirocumab (ODYSSEY-OUTCOMES) [39] studies showed the cardiovascular benefits of evolocumab and alirocumab, providing a scientific basis for anti-PCSK9 antibody use in patients with FH. The percentage reduction in LDL-C by these agents is not smaller than that in patients without FH [5]. These agents are also considered for patients who experience statin intolerance. However, it is more expensive than other oral agents, and it is difficult but important to determine appropriate LDL-C levels to start anti-PCSK9 antibodies in specific risk groups with consideration of cost-effectiveness [29,40,41].

Bile acid-binding resin

The addition of this agent can be considered for severe hypercholesterolemia (Table 3). Although bile acid-binding resin has an LDL-C-lowering effect, its use is limited as there are no clinical outcome studies.

Other and emerging treatment

Mipomersen is an oligonucleotide derivative that binds apoB mRNA and inhibits the production of all apoB-containing lipoproteins. Its action is independent of LDLR expression and has been developed as an adjunct agent, particularly for patients with homozygous FH (HoFH). In these patients, mipomersen reduced LDL-C levels by 21%. Adverse events include injection site reactions, liver enzyme elevation, and increased hepatic fat content [42]. However, it is not currently available in Korea. Lomitapide, a microsomal triglyceride transfer protein inhibitor, reduces the assembly and secretion of apoB-containing lipoproteins in Golgi complex. Lomitapide reduces LDL-C by 38% to 50% in patients with HoFH [43]. It lowers LDL-C levels in an LDLR-independent manner and leads to the accumulation of hepatic triglycerides and hepatosteatosis, and liver enzyme elevation. However, this agent is not available in Korea. Inclisiran, a synthetic small interfering RNA, inhibits PCSK9 synthesis and is highly effective at lowering LDL-C levels. In a clinical trial in HeFH, it reduced LDL-C by 48% compared to placebo, with a similar rate of adverse events [44]. A long dosing interval is expected to increase patient adherence. However, this agent is not yet available in Korea. Angiotensin-like 3 (ANGPTL3) is a protein that inhibits lipoprotein- and endothelial lipase. Evinacumab is an antibody against ANGPTL3 that reduced LDL-C and triglyceride levels by up to 56% in patients with HeFH [45] and HoFH [46] in phase 2 and 3 clinical trials, respectively.

Lipoprotein apheresis is the method remove lipoproteins from the blood and it is important for patients whose lipid-lowering response is not sufficient to pharmacological agents. It has been occasionally used in patients with HoFH or severe HeFH. When applied, LDL-C decreases by 50% to 70%. However, owing to its invasiveness, the patient's quality of life can be negatively affected [5].

LDL-C targets

Ideal targets are < 55 mg/dL in patients with ASCVD or major risk factors and < 70 mg/dL in those without ASCVD or risk factors [5]. However, achieving these targets is difficult in many cases even after 3-drug combination therapy [47], 50% reduction in LDL-C levels and < 70 mg/dL in patients with ASCVD or major risk factors and < 100 mg/dL in those without these conditions are recommended as realistic second best targets in many other guidelines [6,28,48]. In a study supported by the Korean Society of Lipid and Athero-

sclerosis analyzing individuals with severe hypercholesterolemia, those who achieved LDL-C < 100 mg/dL after statin therapy showed lower cardiovascular risk than those who did not [8].

HOMOZYGOUS FH

HoFH is a rare, but life-threatening disease. The prevalence of HoFH is approximately 1/1 million. However, it is reported to be 1/160,000 to 300,000 in a recent report [9]. Because the exposure of vessels of patients with HoFH to lipids is more severe than that of patients with HeFH, the incidence of CAD under the age of 20 is not uncommon.

The clinical picture is characterized by extensive xanthomas, marked premature and progressive cardiovascular disease, and untreated LDL-C level > 500 mg/dL or treated LDL-C level \geq 300 mg/dL. Many patients develop CAD and aortic stenosis before the age of 20 years and can die before 30 years. In children, early symptoms and signs are often linked to aortic stenosis and regurgitation due to the massive accumulation of cholesterol at the valves [25].

Diagnosis

The most well known diagnostic criteria for HoFH are from the consensus panel on FH of the European Atherosclerosis Society in 2014 [25]. It included DNA mutations, LDL-C levels, physical findings, and family history (Table 4). However, strict application of genetic diagnostic criteria can affect insurance benefits of pharmacological agents. Genetic analysis is considered to confirm the clinical diagnosis, facilitate testing of family members, and assist diagnosis where the clinical presentation is borderline between those of HoFH and HeFH [25,49].

Monitoring

Patients with suspected diagnoses need to be referred to a

specialist for comprehensive management. Regular screening for CAD or aortic disease is recommended. Patients should undergo cardiovascular evaluation at diagnosis, with subsequent annual echocardiographic evaluation, stress testing, and, if available, computed tomography coronary angiography every 5 years. Emergency education is needed, and clinical assessment is recommended every 6 months.

Treatment

Early detection of HoFH during childhood is crucial. The aim of treatment in HoFH is to start LLT as early as possible and obtain cholesterol levels as low as possible. The treatment targets are 100, 135, and 70 mg/dL in adults, children, and patients with ASCVD, respectively. Lifestyle modification, statin/ezetimibe, and lipoprotein apheresis (if available) are essential for treatment. Lipoprotein apheresis is recommended at the age of 5 years or at least 8 years. New therapeutics such as PCSK9 inhibitors, lomitapide, or mipomersen can be added. The Korean Food and Drug Administration approved PCSK9 inhibitors for HoFH, whereas mipomersen and lomitapide are not yet available in Korea. Evinacumab, an anti-ANGPTL3 antibody, has been approved in some countries for the treatment of HoFH. The control of other cardiovascular risk factors is important and aspirin needs to be considered.

FH IN SPECIAL POPULATIONS

Children

Diagnosis

In a child, FH is diagnosed based on phenotypic criteria, including elevated LDL-C plus a family history of premature CAD and/or elevated LDL-C or positive genetic testing [50]. In children with the above-mentioned family history, the accepted cut-off is \geq 160 mg/dL. If a parent has a known

Table 4. EAS diagnostic criteria for HoFH

- 1) Genetic confirmation of two mutant alleles at *LDLR*, *APOB*, *PCSK9*, or *LDLRAP1* or
- 2) An untreated LDL-C > 13 mmol/L (500 mg/dL) or treated LDL-C > 8 mmol/L (300 mg/dL)^a with either:
 - Cutaneous or tendon xanthoma at age < 10 years or
 - Untreated elevated LDL-C consistent with HeFH in both parents

EAS, European Atherosclerosis Society; HoFH, homozygous familial hypercholesterolemia; LDL-C, low-density lipoprotein cholesterol; HeFH, heterozygous familial hypercholesterolemia.

^aThese LDL-C are only indicative, and lower levels, especially in children or in treated patients, do not exclude HoFH.

genetic defect, the child's diagnostic level of LDL-C can be lower. A child suspected of having FH needs to be screened from the age of 5 years. If possible, genetic testing is recommended for a child when a pathogenic mutation is identified in the family. As cholesterol levels may change during puberty, repeated tests should be performed after this period to confirm FH. Screening for HoFH in children should be undertaken as early as possible.

Treatment

Children with FH should be educated to adopt a proper diet and be treated with statins from 8 to 10 years old. The child's phenotype, particularly the LDL-C level, is considered when starting pharmacotherapy. The LDL-C target level is < 135 mg/dL [5]. Statin treatment should be initiated at low doses and increased to reach the target. In 2021, the United States Food and Drug Administration approved evolocumab [51], an anti-PCSK9 antibody, for the add-on treatment of children with FH older than 10 years.

Pregnancy

Contraception and pregnancy are key issues in women with FH and should be appropriately discussed. Hormonal contraception is generally contraindicated, and other contraceptive methods are preferred. Women wishing to become pregnant need to be counseled and undergo cardiovascular assessments.

Lifestyle modifications for lipid control are recommended. Although some recent data have denied concerns regarding the teratogenicity of statins, minor effects on the fetal brain maturation cannot be ruled out [52]. Ongoing lipid-lowering drugs need be discontinued one to three months before conception or breastfeeding [6]. For women with severe FH, bile acid-binding resin and/or LDL apheresis can be considered [5]. However, there are no officially recommended LDL-C levels for starting drugs or targets.

Conflict of interest

No potential conflict of interest relevant to this article was reported.

Acknowledgments

This work was supported by the Korean Society of Lipid and Atherosclerosis. The funder had no role in study design, data collection and analysis, decision to publish, or preparation of the manuscript.

REFERENCES

1. Austin MA, Hutter CM, Zimmern RL, Humphries SE. Genetic causes of monogenic heterozygous familial hypercholesterolemia: a HuGE prevalence review. *Am J Epidemiol* 2004;160:407-420.
2. Benn M, Watts GF, Tybjaerg-Hansen A, Nordestgaard BG. Mutations causative of familial hypercholesterolaemia: screening of 98 098 individuals from the Copenhagen General Population Study estimated a prevalence of 1 in 217. *Eur Heart J* 2016;37:1384-1394.
3. Lee SJ, Kwark JK, Koh KA, Choi WH, Park WK, Kim SW. A case of familial hypercholesterolemia combined with diabetes mellitus. *Korean J Med* 1989;37:558-565.
4. You JH, Kil HR, Seo JJ, Chung YH. A case of familial hypercholesterolemia. *J Korean Pediatr Soc* 1989;32:1288-1294.
5. Authors/Task Force Members; ESC Committee for Practice Guidelines (CPG); ESC National Cardiac Societies. 2019 ESC/EAS guidelines for the management of dyslipidaemias: lipid modification to reduce cardiovascular risk. *Atherosclerosis* 2019;290:140-205.
6. Harada-Shiba M, Arai H, Ishigaki Y, et al. Guidelines for diagnosis and treatment of familial hypercholesterolemia 2017. *J Atheroscler Thromb* 2018;25:751-770.
7. Kim H, Lee CJ, Kim SH, et al. Phenotypic and genetic analyses of Korean patients with familial hypercholesterolemia: results from the KFH Registry 2020. *J Atheroscler Thromb* 2022;29:1176-1187.
8. Lee CJ, Park S, Han K, Lee SH. Cardiovascular risk and treatment outcomes in severe hypercholesterolemia: a nationwide cohort study. *J Am Heart Assoc* 2022;11:e024379.
9. Nordestgaard BG, Chapman MJ, Humphries SE, et al. Familial hypercholesterolaemia is underdiagnosed and undertreated in the general population: guidance for clinicians to prevent coronary heart disease: consensus statement of the European Atherosclerosis Society. *Eur Heart J* 2013;34:3478-3490.
10. Stone NJ, Robinson JG, Lichtenstein AH, et al. 2013 ACC/AHA guideline on the treatment of blood cholesterol to reduce atherosclerotic cardiovascular risk in adults: a report of the American College of Cardiology/American Heart Association Task Force on Practice Guidelines. *J Am Coll Cardiol* 2014;63(25 Pt B):2889-2934.
11. Perez de Isla L, Alonso R, Mata N, et al. Predicting cardiovascular events in familial hypercholesterolemia: the SAFEHEART Registry (Spanish Familial Hypercholesterolemia Cohort Study). *Circulation* 2017;135:2133-2144.

12. Shin DG, Han SM, Kim DI, et al. Clinical features of familial hypercholesterolemia in Korea: predictors of pathogenic mutations and coronary artery disease: a study supported by the Korean Society of Lipidology and Atherosclerosis. *Atherosclerosis* 2015;243:53-58.
13. Schmidt EB, Hedegaard BS, Retterstol K. Familial hypercholesterolaemia: history, diagnosis, screening, management and challenges. *Heart* 2020;106:1940-1946.
14. Harada-Shiba M, Arai H, Okamura T, et al. Multicenter study to determine the diagnosis criteria of heterozygous familial hypercholesterolemia in Japan. *J Atheroscler Thromb* 2012;19:1019-1026.
15. Brunham LR, Ruel I, Aljenedil S, et al. Canadian Cardiovascular Society position statement on familial hypercholesterolemia: update 2018. *Can J Cardiol* 2018;34:1553-1563.
16. Starr B, Hadfield SG, Hutten BA, et al. Development of sensitive and specific age- and gender-specific low-density lipoprotein cholesterol cutoffs for diagnosis of first-degree relatives with familial hypercholesterolaemia in cascade testing. *Clin Chem Lab Med* 2008;46:791-803.
17. Sturm AC, Knowles JW, Gidding SS, et al. Clinical genetic testing for familial hypercholesterolemia: JACC Scientific Expert Panel. *J Am Coll Cardiol* 2018;72:662-680.
18. Tada H, Kawashiri MA, Nohara A, Inazu A, Mabuchi H, Yamagishi M. Impact of clinical signs and genetic diagnosis of familial hypercholesterolaemia on the prevalence of coronary artery disease in patients with severe hypercholesterolaemia. *Eur Heart J* 2017;38:1573-1579.
19. Chora JR, Iacocca MA, Tichy L, et al. The Clinical Genome Resource (ClinGen) Familial Hypercholesterolemia Variant Curation Expert Panel consensus guidelines for LDLR variant classification. *Genet Med* 2022;24:293-306.
20. Iacocca MA, Chora JR, Carrie A, et al. ClinVar database of global familial hypercholesterolemia-associated DNA variants. *Hum Mutat* 2018;39:1631-1640.
21. Han SM, Hwang B, Park TG, et al. Genetic testing of Korean familial hypercholesterolemia using whole-exome sequencing. *PLoS One* 2015;10:e0126706.
22. Rader DJ, Kathiresan S. Disorders of lipoprotein metabolism. In: Jameson JL, Kasper DL, Longo DL, eds. *Harrison's Principles of Internal Medicine*. 20th ed. New York (NY): McGraw-Hill Education LLC, 2018 [cited 2022 Jul 15]. Available from: <https://accessmedicine.mhmedical.com/content.aspx?bookid=2129§ionid=192288734>.
23. Tada H, Nomura A, Ogura M, et al. Diagnosis and management of sitosterolemia 2021. *J Atheroscler Thromb* 2021;28:791-801.
24. Brahm AJ, Hegele RA. Combined hyperlipidemia: familial but not (usually) monogenic. *Curr Opin Lipidol* 2016;27:131-140.
25. Cuchel M, Bruckert E, Ginsberg HN, et al. Homozygous familial hypercholesterolaemia: new insights and guidance for clinicians to improve detection and clinical management: a position paper from the Consensus Panel on Familial Hypercholesterolaemia of the European Atherosclerosis Society. *Eur Heart J* 2014;35:2146-2157.
26. Representatives of the Global Familial Hypercholesterolemia Community, Wilemon KA, Patel J, et al. Reducing the clinical and public health burden of familial hypercholesterolemia: a global call to action. *JAMA Cardiol* 2020;5:217-229.
27. Rhee EJ, Kim HC, Kim JH, et al. 2018 Guidelines for the management of dyslipidemia in Korea. *J Lipid Atheroscler* 2019;8:78-131.
28. Raal FJ, Hovingh GK, Catapano AL. Familial hypercholesterolemia treatments: guidelines and new therapies. *Atherosclerosis* 2018;277:483-492.
29. Grundy SM, Stone NJ, Bailey AL, et al. 2018 AHA/ACC/AACVPR/AAPA/ABC/ACPM/ADA/AGS/APhA/ASPC/NLA/PCNA guideline on the management of blood cholesterol: a report of the American College of Cardiology/American Heart Association Task Force on Clinical Practice Guidelines. *J Am Coll Cardiol* 2019;73:e285-e350.
30. Oh J, Lee CJ, Kim DI, et al. Target achievement with maximal statin-based lipid-lowering therapy in Korean patients with familial hypercholesterolemia: a study supported by the Korean Society of Lipid and Atherosclerosis. *Clin Cardiol* 2017;40:1291-1296.
31. Kim H, Lee CJ, Pak H, et al. GENetic characteristics and REsponse to lipid-lowering therapy in familial hypercholesterolemia: GENRE-FH study. *Sci Rep* 2020;10:19336.
32. Versmissen J, Oosterveer DM, Yazdanpanah M, et al. Efficacy of statins in familial hypercholesterolaemia: a long term cohort study. *BMJ* 2008;337:a2423.
33. Besseling J, Hovingh GK, Huijgen R, Kastelein JJ, Hutten BA. Statins in familial hypercholesterolemia: consequences for coronary artery disease and all-cause mortality. *J Am Coll Cardiol* 2016;68:252-260.
34. Cholesterol Treatment Trialists' (CTT) Collaboration, Baigent C, Blackwell L, et al. Efficacy and safety of more intensive lowering of LDL cholesterol: a meta-analysis of data from 170,000 participants in 26 randomised trials. *Lancet* 2010;376:1670-1681.
35. Cannon CP, Blazing MA, Giugliano RP, et al. Ezetimibe added

- to statin therapy after acute coronary syndromes. *N Engl J Med* 2015;372:2387-2397.
36. Tsujita K, Sugiyama S, Sumida H, et al. Impact of dual lipid-lowering strategy with ezetimibe and atorvastatin on coronary plaque regression in patients with percutaneous coronary intervention: the multicenter randomized controlled PRECISE-IVUS trial. *J Am Coll Cardiol* 2015;66:495-507.
 37. Kim K, Bang WD, Han K, Kim B, Lee JM, Chung H. Comparison of the effects of high-intensity statin therapy with moderate-intensity statin and ezetimibe combination therapy on major adverse cardiovascular events in patients with acute myocardial infarction: a nationwide cohort study. *J Lipid Atheroscler* 2021;10:291-302.
 38. Sabatine MS, Giugliano RP, Keech AC, et al. Evolocumab and clinical outcomes in patients with cardiovascular disease. *N Engl J Med* 2017;376:1713-1722.
 39. Schwartz GG, Steg PG, Szarek M, et al. Alirocumab and cardiovascular outcomes after acute coronary syndrome. *N Engl J Med* 2018;379:2097-2107.
 40. Landmesser U, Chapman MJ, Stock JK, et al. 2017 Update of ESC/EAS Task Force on practical clinical guidance for proprotein convertase subtilisin/kexin type 9 inhibition in patients with atherosclerotic cardiovascular disease or in familial hypercholesterolaemia. *Eur Heart J* 2018;39:1131-1143.
 41. Nohara A, Ohmura H, Okazaki H, et al. Statement for appropriate clinical use of PCSK9 inhibitors. *J Atheroscler Thromb* 2018;25:747-750.
 42. Raal FJ, Santos RD, Blom DJ, et al. Mipomersen, an apolipoprotein B synthesis inhibitor, for lowering of LDL cholesterol concentrations in patients with homozygous familial hypercholesterolaemia: a randomised, double-blind, placebo-controlled trial. *Lancet* 2010;375:998-1006.
 43. Cuchel M, Meagher EA, du Toit Theron H, et al. Efficacy and safety of a microsomal triglyceride transfer protein inhibitor in patients with homozygous familial hypercholesterolaemia: a single-arm, open-label, phase 3 study. *Lancet* 2013;381:40-46.
 44. Raal FJ, Kallend D, Ray KK, et al. Inclisiran for the treatment of heterozygous familial hypercholesterolemia. *N Engl J Med* 2020;382:1520-1530.
 45. Rosenson RS, Burgess LJ, Ebenbichler CF, et al. Evinacumab in patients with refractory hypercholesterolemia. *N Engl J Med* 2020;383:2307-2319.
 46. Raal FJ, Rosenson RS, Reeskamp LF, et al. Evinacumab for homozygous familial hypercholesterolemia. *N Engl J Med* 2020;383:711-720.
 47. EAS Familial Hypercholesterolaemia Studies Collaboration (FHSC). Global perspective of familial hypercholesterolaemia: a cross-sectional study from the EAS Familial Hypercholesterolaemia Studies Collaboration (FHSC). *Lancet* 2021;398:1713-1725.
 48. Santos RD, Gidding SS, Hegele RA, et al. Defining severe familial hypercholesterolaemia and the implications for clinical management: a consensus statement from the International Atherosclerosis Society Severe Familial Hypercholesterolemia Panel. *Lancet Diabetes Endocrinol* 2016;4:850-861.
 49. Gidding SS, Champagne MA, de Ferranti SD, et al. The agenda for familial hypercholesterolemia: a scientific statement from the American Heart Association. *Circulation* 2015;132:2167-2192.
 50. Wiegman A, Gidding SS, Watts GF, et al. Familial hypercholesterolaemia in children and adolescents: gaining decades of life by optimizing detection and treatment. *Eur Heart J* 2015;36:2425-2437.
 51. Santos RD, Ruzza A, Hovingh GK, et al. Evolocumab in pediatric heterozygous familial hypercholesterolemia. *N Engl J Med* 2020;383:1317-1327.
 52. Graham DF, Raal FJ. Management of familial hypercholesterolemia in pregnancy. *Curr Opin Lipidol* 2021;32:370-377.