

CORRECTION

Correction: A Novel Missense Mutation in ADAMTS10 in Norwegian Elkhound Primary Glaucoma

The *PLOS ONE* Staff

[Fig. 1](#) is incorrect. Please view a correct version [here](#).



OPEN ACCESS

Citation: The *PLOS ONE* Staff (2015) Correction: A Novel Missense Mutation in ADAMTS10 in Norwegian Elkhound Primary Glaucoma. *PLoS ONE* 10(2): e0118256. doi:10.1371/journal.pone.0118256

Published: February 17, 2015

Copyright: © 2015 The PLOS ONE Staff. This is an open access article distributed under the terms of the [Creative Commons Attribution License](#), which permits unrestricted use, distribution, and reproduction in any medium, provided the original author and source are credited.

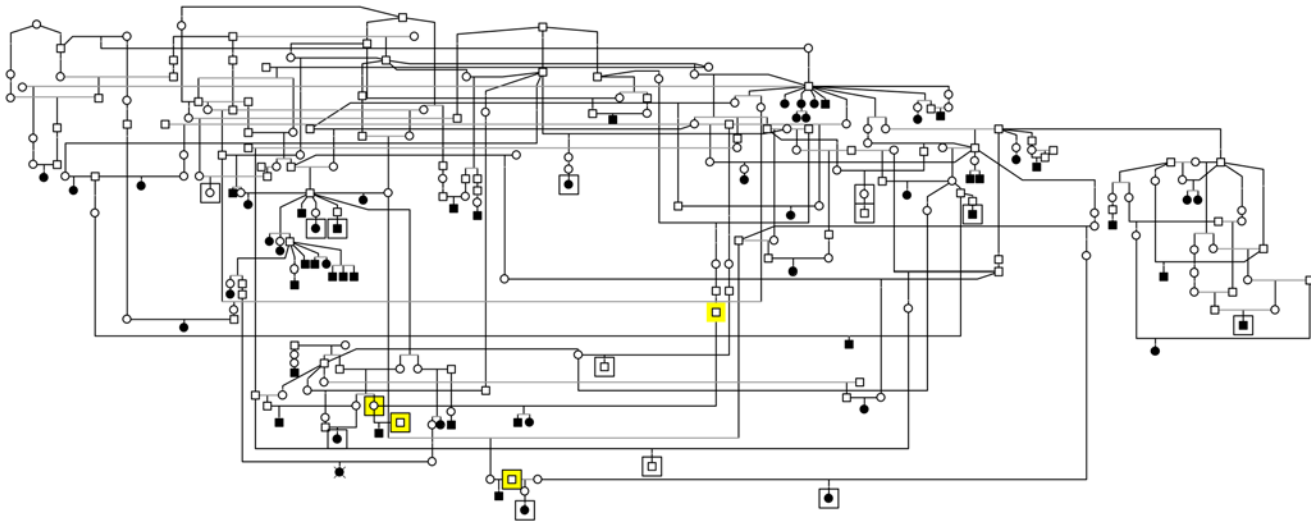


Fig 1. Pedigree of glaucoma affected Norwegian Elkhounds. The pedigree constructed around affected dogs indicates a likely recessive mode of inheritance as the affected dogs are born to unaffected parents and there are multiple affected littermates in some litter. The squared dogs were included in the GWAS. Individuals marked with yellow background were genotyped as obligatory carriers and were all heterozygous for the mutation.

doi:10.1371/journal.pone.0118256.g001

Reference

1. Ahonen SJ, Kaukonen M, Nussdorfer FD, Harman CD, Komáromy AM, Lohi H. (2014) A Novel Missense Mutation in *ADAMTS10* in Norwegian Elkhound Primary Glaucoma. PLoS ONE 9(11): e111941. doi: [10.1371/journal.pone.0111941](https://doi.org/10.1371/journal.pone.0111941) PMID: [25372548](https://pubmed.ncbi.nlm.nih.gov/25372548/)