



Computational Intelligence Enabled Student Performance Estimation in the Age of COVID-19

Vipul Bansal¹ · Himanshu Buckchash¹ · Balasubramanian Raman¹

Received: 3 November 2020 / Accepted: 18 October 2021 / Published online: 2 November 2021
© The Author(s), under exclusive licence to Springer Nature Singapore Pte Ltd 2021

Abstract

The sudden advent of COVID-19 pandemic left educational institutions in a difficult situation for the semester evaluation of students; especially where the online participation was difficult for the students. Such a situation may also happen during a similar disaster in the future. Through this work, we want to study the question: can the deep learning methods be leveraged to predict student grades based on the available performance of students. To this end, this paper presents an in-depth analysis of deep learning and machine learning approaches for the formulation of an automated students' performance estimation system that works on partially available students' academic records. Our main contributions are: (a) a large dataset with 15 courses (shared publicly for academic research); (b) statistical analysis and ablations on the estimation problem for this dataset; (c) predictive analysis through deep learning approaches and comparison with other arts and machine learning algorithms. Unlike previous approaches that rely on feature engineering or logical function deduction, our approach is fully data-driven and thus highly generic with better performance across different prediction tasks. The main takeaways from this study are: (a) for better prediction rates, it is desirable to have multiple low weightage tests than few very high weightage exams; (b) the latent space models are better estimators than sequential models; (c) deep learning models have the potential to very accurately estimate the student performance and their accuracy only improves as the training data are increased.

Keywords Deep neural network · COVID-19 · Variational auto-encoder · Educational institutions

Introduction

This work explores the problem of students' performance assessment under partial completion of their semester studies. During the starting of lock-downs, faced by the educational institutions in developing countries like India, students' semester assessment emerged as a challenging and important problem [14]. Students were sent home; they were

forced to study through online lectures and tutorials. During this period, many of the students did not have good Internet connections which lead to inculcation bias due to unequal participation by students. Furthermore, it was hard to conduct online examinations owing to unavailability of good infrastructures at home and challenges pertaining to curbing of unfair means during exams. This made many of the faculties adopt a binary (satisfactory/unsatisfactory) grading scheme. This situation may also happen during other uncalled for disasters or pandemics. This situation led the authors to ponder as to how modern computational intelligence (CI) technologies can be leveraged to alleviate the adverse effect of COVID-19 on education.

Course completion, organization of different exams, grades, admissions, and student psychology have been severely affected by this pandemic [3, 13]. Students worldwide were under tremendous stress due to uncertainty about their final grades. On the other hand, it has been very challenging for faculties to grade their students based on partial semester completion with little-to-no means for assigning grades. We propose to solve this problem by leveraging

Vipul Bansal and Himanshu Buckchash have contributed equally to this work.

✉ Himanshu Buckchash
hbuckchash@cs.iitr.ac.in
Vipul Bansal
vbansal@me.iitr.ac.in
Balasubramanian Raman
bala@cs.iitr.ac.in

¹ Machine Vision Lab, Department of Computer Science and Engineering, Indian Institute of Technology, Roorkee, India

deep learning for automatic prediction of students' grades. To this end, different partial course-completion durations were experimented with. Furthermore, due to unavailability of a good large-scale public dataset, a student academic performance dataset was also created and shared in the public interest.

Technology has played vital role in fighting against the COVID pandemic; however, educational plight has received little-to-no attention. This work is a humble attempt on leveraging CI methods for automatic students' performance assessment through predictive analysis. Such an automated system has numerous applications in the education sector. It is not only useful for the present pandemic situation but can also assist in admission decisions; non-completion; dropout and retention; profiling and prediction for student's feedback and guidance [5, 15].

Previously, operational-research based approaches have existed for solving this kind of problem. One example is the Duckworth/Lewis method for predicting adjusted target scores when the Cricket game is interrupted by rain [6]. Duckworth et al. studied thousands of Cricket match data and came out with a unique exponential function that tries to model the predicted score as a function of remaining resources. The problem of predictive performance assessment is challenging due to several reasons, and a Duckworth/Lewis approach seems naive, since, due to the complexity of the problem, finding a model analytically is not possible. Estimation of marks requires modeling different kinds of correlations. Due to the uncertainty of human behavior, it is hard to conceptualize all relations needed for assessment, for example, missing dependencies such as previous scores in a subject, previous records of a student, etc. Although absolute predictions cannot be made, and there is always room for unforeseeable events, we have worked with a basic setting that considers the available marks. The proposed model tries to intelligently capture the latent correlations in students' performance and the complexity of subjects and other parameters.

Unprecedented pandemic circumstances and its adverse effect on education have propelled the relevance and need for a predictive assessment system based on available students' academic data. CI algorithms are a useful tool for addressing this. So far, very little work has happened on this problem. The scope of previous approaches is limited for experimenting through classical machine learning on smaller datasets with less number of courses. Most of them have focused on predicting categorical grades. There has been little-to-no study with deep learning. Previously, researchers have used evolutionary algorithms, multi-layer perceptrons, fuzzy clustering, SVM, and random forests for the predictive analysis of students' grades [1, 4, 7, 9, 10, 12]. A summary of the related work on performance assessment methods is

presented in Table 1. For a broader literature overview, we would suggest going through [8].

Although there have been previous works with classical machine learning; however, through this paper, we present refreshing ideas into the field, leveraging deep learning. We show how deep learning can be used for students' academic score estimation; particularly, the latent space models and their ability to model the correlation between student performance through different tests. Unlike evolutionary algorithms employed by [4], our emphasis is on gradient-based optimization algorithms, since we get better generalizations, faster training, and less computing resource requirement, and these algorithms can virtually scale to any size of the dataset. In our experiments, deep algorithms were found to perform better in comparison to machine learning approaches. Our dataset consists of 15 courses. We have shown the integration of generative and temporal deep learning approaches with machine learning algorithms, and the statistical study of the features of the dataset.

The proposed approach takes the partial academic performance as input and passes it through a neural network encoder to estimate the distribution of marks in a latent space. Once the training is complete, the estimated distribution has the potential to capture the correlation between the partial academic performance and the true grades. After the training of neural network encoder–decoder, the parameters estimated by the latent distribution are passed through machine learning regressors to predict the final marks. The detailed proposed approach is explained in Sect. 4. The proposed approach estimates final scores in a continuous range between (0, 100) rather than doing a grade-based categorical estimation. The main contributions of this work are:

- We formulate a CI-based solution for the problem of academic performance estimation (APE). We have experimented with different machine or deep learning approaches and proposed a variational approach using machine learning regressors for solving this problem.
- The APE problem requires a suitable dataset to experiment under different settings. To address the unavailability of such a dataset in the public domain, a new dataset was created and released in the public interest for benchmarking the future research.
- We have extensively experimented and compared the proposed approach under different settings on this dataset. Including statistical assessment of the released dataset.

The rest of the paper is organized as follows. The next section describes the dataset details and attributes. The proposed approach is presented after this in Sect. 4. After this, the evaluation criteria are discussed in Sect. 5. The results and conclusion are presented under the last two sections.

Table 1 Literature review on approaches for academic performance assessment or prediction

References	Method	Contribution	Dataset	# of courses	Deep learning	Machine learning	Data analysis	Prediction range	Metric	Score
Chen et al. [4]	Multi-layer perceptron with evolutionary algorithms, for predictive analysis of academic performance	Comparison between Cuckoo and Gravitational search algorithms	Small	3	✓	✓	✗	Continuous (0–10)	MAE, RMSE, MSE, R	0.72 (R^2)
Livieris et al. [10]	Multi-layer perceptron, SVM, machine learning algorithms	A machine learning algorithm interface (tool)	Small	1	✗	✓	✗	Categorical (4 class)	Accuracy	0.86
Li et al. [9]	Fuzzy clustering and linear regression with Random Forest and SVM	Fuzzy c -means clustering implementation	Large	3	✗	✓	✗	Categorical (20 class)	Accuracy	0.79
Al-Shehri et al. [1]	Academic performance prediction using SVM and k -NN	Comparison between machine learning algorithms	Small	2	✗	✓	✗	Categorical (20 class)	MAE, RMSE, MSE, R	0.82 (R^2)
Patil et al. [12]	LSTM-based sequential modeling of grades	Comparison of deep and non-deep methods	Large	5	✓	✓	✗	Categorical (7 class)	RMSE, accuracy	0.92
Harvey et al. [7]	Machine learning for feature analysis and prediction in K-12	Predictive study of K-12 education dataset	Large	1	✓	✗	✓	Continuous (0–100)	Accuracy	0.71
Proposed approach	Deep learning methods (LSTM, GRU, VAE) with multiple machine learning algorithms	Integration of generative and temporal deep learning approaches with machine learning algorithms and statistical study of the features of the dataset	Large	15	✓	✓	✓	Continuous (0–100)	MAE, RMSE, MSE, R^2	0.94 (R^2)

Note that our work covers a large number of courses with much finer prediction range and better R^2 -score

Dataset

The data were collected at IIT Roorkee, India, for over 1000 students in 15 under-graduate and graduate-level courses between 2006 and 2017. It has been anonymized to protect the identities of individual students. Students' academic performance is generally evaluated based on a set of individual parameters assessed across the comprehensive course of the evaluation. The dataset is called 'IITR-APE dataset', and is made available at <https://www.hbachchas.github.io/data.html>.

Institutions use distinct sets of exams, like end-term evaluation and multiple in-course examinations, supplemented with an estimation of the class performance of the students. Some courses also involve laboratory work with hands-on experience over real-life applications. In the wake of COVID-19, almost every educational institution is facing the problem of deferred evaluation and staggering students' careers. This dataset is a humble effort toward the viability of recent developments in computational intelligence for the automatic assessment of students' performance.

Let X be the set of all parameters used by the institutions for evaluation. The evaluation system customarily composites a weighted average of the collection of all parameters in X , which can be defined by the equation below

$$Y = \sum_i W_i * X_i. \quad (1)$$

In Eq. (1), W_i is the individual weight for each feature X_i , where X_i is the subset of feature-set X . The total score received by a student is represented by Y . The features used in our dataset include marks obtained in two tests X_{T1} and X_{T2} , assessment based on students classroom performance X_{CW} , a mid-term evaluation X_{MTE} , and end-term evaluation X_{ETE} . Three datasets used for experimentation and evaluation consist of a subset of above-mentioned features with specific weights for a given dataset as explained below.

Dataset D_1 consists of three basic features, which are two class-test based evaluations and one assessment based on the student's class performance. Hence, feature-set X_{D1} can be defined as, $\langle X_{T1}, X_{T2}, X_{CW} \rangle$. To establish an experimental setup for deferred evaluation for a given academic session, the mid-term marks and end-term evaluation scores were dropped, and the remaining features were used to estimate the final score Y_{D1} . This analysis helps us understand how features with small weightage, in score calculations, can affect the final score.

Dataset D_2 consists of three features, viz., student's class performance, mid-term evaluation, and end-term evaluation. Hence, feature-set X_{D2} can be defined as, $\langle X_{CW}, X_{MTE}, X_{ETE} \rangle$. Y_{D2} represents a weighted sum of features in X_{D2} . Two distinct analyses were conducted over X_{D2} to predict the final

scores. First, using X_{MTE} and X_{CW} , and later with X_{ETE} and X_{CW} . Complementing X_{MTE} with X_{ETE} , helped us to analyze if deferred evaluation effects the total score estimation. On the other hand, utilizing X_{ETE} helps to understand its effect on the overall score.

Preliminaries

In this section, we discuss about popular deep learning and machine learning techniques to evaluate the datasets. For temporal evaluation, recurrent neural network (RNN) variants such as long short-term memory and gated recurrent unit (GRU) were used along with discrete machine learning classifiers, [2]. Also, we employed Variational Bayes' encoding for extensive feature extraction with machine learning classifier to evaluate the dataset.

Long Short-Term Memory (LSTM)

Long short-term memory is a state-of-the-art neural architecture used for modeling complex long- or short-term temporal relations in sequence translation/recognition tasks. LSTM is incipiently an enhanced variant of the recurrent neural networks. LSTM structures are known for handling not only the hidden state of an RNN, but also the cell-state of each recurring block. The mathematical description of a single LSTM cell is given by Eq. (2)–(7)

$$I_j = \sigma(\alpha_I[Z_{j-1}, X_j] + \beta_I). \quad (2)$$

$$F_j = \sigma(\alpha_F[Z_{j-1}, X_j] + \beta_F). \quad (3)$$

$$O_j = \sigma(\alpha_O[Z_{j-1}, X_j] + \beta_O). \quad (4)$$

The above equations represent the three different gates in the LSTM structure. $\sigma()$ represents the sigmoid function in these equations. The symbol β and α represent bias and weight matrices, respectively, in each gate equation. Z_{j-1} represents the hidden state of the LSTM cell from the previous time step, whereas X_j represents the input to the LSTM cell at the current time step. Equations (2)–(4) represent the input gate, forget gate, and the output gate, respectively. The input gate helps to capture the new information, to be stored in the cell-state. The forget gate tells about the information; one needs to remove from the cell-state. The output gate deduces the information that we need to emit as the final output from the LSTM cell. The outcomes of these three gates are used to find the LSTM's cell-state and hidden state, as shown in the following equations

$$\tilde{S}_j = \tanh(\alpha_S[Z_{j-1}, X_j] + \beta_S). \quad (5)$$

$$S_j = F_j * S_{j-1} + I_j * \tilde{S}_j, \quad (6)$$

$$Z_j = O_j * \tanh(S_j). \quad (7)$$

In the above equations, S_j represents the cell-state memory for a given LSTM cell at timestamp j . Z_j represents the hidden state, at timestamp j , for the LSTM cell.

LSTM has become a popular structure of choice, as it overcomes the problem of vanishing and exploding gradients in comparison to simple RNNs. In our analysis, the LSTM cells were joined with fully connected neural network layers to make predictions.

Gated Recurrent Unit (GRU)

Gated recurrent unit is a modified version of recurrent neural networks. GRU resolves the problem of vanishing gradient, which dominates in standard RNN models. It is quite similar to the LSTM structure and sometimes even gives better performance. The working of GRU cells can be understood through the equations explained below

$$H_j = \sigma(\alpha^H X_j + \gamma^H Z_{j-1}). \quad (8)$$

Equation (8) represents the update gate inside a GRU cell. This gate helps to learn the amount of information the GRU cell needs to pass from the previous ($j - 1$)th time step. α^H and γ^H represent the weights of the new input, X_j , and the information from the previous $j - 1$ time steps, Z_{j-1} , respectively

$$R_j = \sigma(\alpha^R X_j + \gamma^R Z_{j-1}). \quad (9)$$

The above equation represents the reset gate. This gate helps the network to understand, how much of the information from the past $j - 1$ time steps, need to be forgotten

$$Z'_j = \tanh(\alpha X_j + R_j \odot \gamma Z_{j-1}). \quad (10)$$

Equation (10) helps in calculation of the current memory-state. This uses the input information— X_j and Z_{j-1} , along with R_j from the reset gate, to store equivalent information from the past $j - 1$ and the current time step

$$Z_j = H_j \odot Z_{j-1} + (1 - H_j) \odot Z'_j. \quad (11)$$

The above equation helps in the evaluation of the final hidden state information, Z_j , for the current time step to pass it on to a future time step. In our experiments, the GRU units were integrated with two fully connected layers to make the grade prediction pipeline for students.

Variational Auto-encoder (VAE)

Variational auto-encoder is a common method used for feature extraction. The major difference between a simple Auto-encoder (AE) and a variational auto-encoder is that it learns the latent space variable Z in the form of a prior distribution (usually a Gaussian).

In a VAE, the distribution of latent space is mapped with a presumed distribution. This distribution is learned in the format of mean μ and logarithmic variance $\log \sigma$. To enforce this distribution to a prior distribution, we use KL divergence loss which is defined as

$$D_{\text{KL}}(N(\mu_i, \sigma_i), N(\mu_j, \sigma_j)) = \log \frac{\sigma_j}{\sigma_i} + \frac{\sigma_i^2 + (\mu_i - \mu_j)^2}{2\sigma_j^2} - \frac{1}{2}. \quad (12)$$

The KL divergence for two mapping Normal distributions is represented by Eq. (12). Here, $N(\mu_j, \sigma_j)$ is our prior distribution and $N(\mu_i, \sigma_i)$ is the distribution upon which we want to enforce the prior distribution. The μ_i and σ_i for the calculation are obtained from the latent space, Z , of the VAE. In our model, we have assumed the prior distribution to be $N(0, 1)$, i.e., a Gaussian distribution with μ_j and σ_j values of 0 and 1, respectively

$$D_{\text{KL}}(N(\mu_i, \sigma_i), N(0, 1)) = \frac{1}{2}(\sigma_i^2 + \mu_i^2 - 1 - 2 \log \sigma_i). \quad (13)$$

Equation (13) represents the KL divergence loss for, $N(0, 1)$, prior distribution used in our model. The VAE model was trained on X and the latent space Z was extracted and further used to train the machine learning classifiers to make a final prediction of students' grades.

Machine Learning Regressors

The modeling of input data, X , to predict the students' grades, Y , was done using machine learning-based regressors. The regressors used during our experiments are: Multi-layer Perceptron (MLP), Linear Regression (LR), Extra Tree Regressor (ET), Random Forest Regressor (RF), XGBoost Regressor (XGB), and k -Nearest Neighbour Regressor (k NN).

The variations in results were analyzed using fivefold shuffle split cross-validation. For all our experiments, the dataset was randomly shuffled five times, and each time, a test set was drawn to estimate the performance in terms of the metric results. The mean and standard deviation of these results are reported later under the section on Results and Discussion.

Approach

The datasets mentioned in Sect. 2 include a set of different evaluation features for students’ final score estimation. In this section, we discuss about experimental approach in final grade estimation. For temporal evaluation, recurrent neural network (RNN) variants such as long short-term memory and gated recurrent unit (GRU) were used considering incoming grades a sequential data [2]. For further evaluation, we employed Variational Bayes’ encoding for extensive feature extraction with machine learning classifiers to evaluate the datasets.

Proposed Method

Initially, we perform experiments on dataset D_1 using feature set containing $\langle X_{T1}, X_{T2}, X_{CW} \rangle$. We first evaluate a sequential approach using LSTM and GRU units followed by a fully connected neural network. For LSTM-based model, as shown in Fig. 1a, at every step, we take the hidden state Z_1, Z_2 , and Z_3 , and concat them to make a final feature space Z

$$\{Z_1, Z_2, Z_3\} \leftarrow \text{LSTM}(\langle X_{T1}, X_{T2}, X_{CW} \rangle) \tag{14}$$

$$Z \leftarrow Z_1 \oplus Z_2 \oplus Z_3. \tag{15}$$

Finally, we pass these features Z through a fully connected neural network $\text{MLP}(Y|Z)$ that maps feature space Z to predicted performance \hat{Y}

$$\hat{Y} \leftarrow \int_Z \text{MLP}(Y|Z)p(Z)dZ. \tag{16}$$

In the above equation, $p(Z)$ is the probability distribution of feature space Z which is mapped to predicted performance \hat{Y} . Similarly, we apply GRU model, as shown in Fig. 1b, to estimate hidden state at input time stamps Z_1, Z_2 and Z_3 and and concat them to make a final feature space Z

$$\{Z_1, Z_2, Z_3\} \leftarrow \text{GRU}(\langle X_{T1}, X_{T2}, X_{CW} \rangle). \tag{17}$$

Finally, we send the concatenated feature space to a fully connected neural network to map it to predicted performance \hat{Y} .

We also experiment a latent space-based approach using a variational auto-encoder (VAE) and then finally pass it through a machine learning regressor. To train a VAE architecture on features $\langle X_{T1}, X_{T2}, X_{CW} \rangle$ to get feature vectors in the form of mean and variance as

$$F_\mu, F_\sigma \leftarrow \text{VAE}(\langle X_{T1}, X_{T2}, X_{CW} \rangle)_{\text{Encoder}}; \tag{18}$$

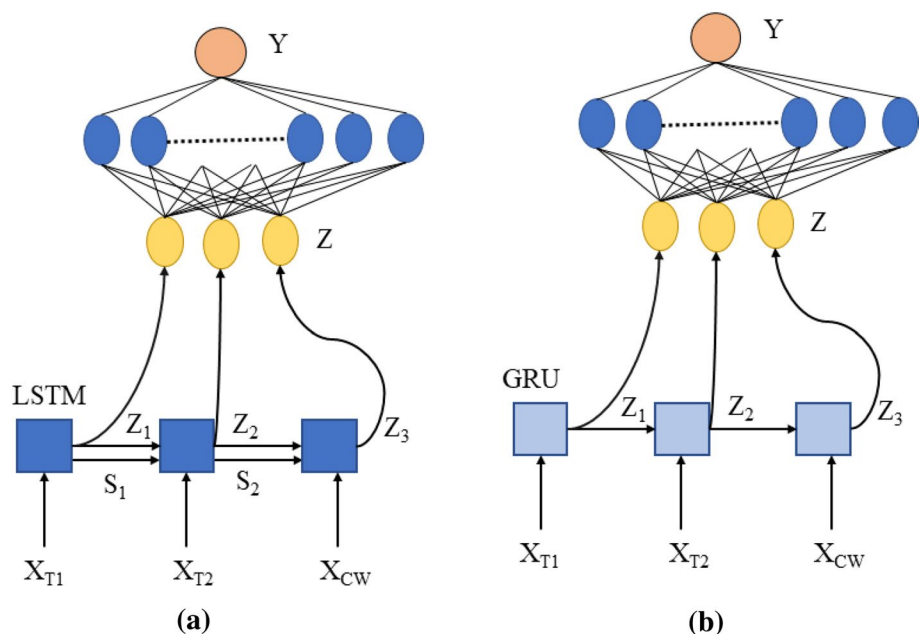
while training the variational auto-encoder assembly, the output mean and standard deviation is used to sample from a Gaussian space as

$$F_Z = F_\mu + \epsilon * F_\sigma, \text{ for } \epsilon \in N(0, 1). \tag{19}$$

In the above equation, F_Z is the sampled feature space and epsilon is sampled from a normal distribution with mean 0 and variance 1. This feature space F_Z is passed through the decoder to reconstruct the original input features.

Finally, we use feature-set F_μ to train a machine learning regressors, namely: Multi-layer Perceptron (MLP), Linear Regression (LR), Extra Tree Regressor (ET), Random Forest Regressor (RF), XGBoost Regressor (XGB), and k -Nearest Neighbour Regressor (k NN).

Fig. 1 a Performance estimation using LSTM-based model. **b** Performance estimation using GRU-based model



We perform similar experiments on dataset D_2 using two different feature spaces including: $\langle X_{MTE}, X_{CW} \rangle$ and $\langle X_{ETE}, X_{CW} \rangle$. While using LSTM and GRU, we forward pass for two time stamps generating feature space Z_1 and Z_2 only. We also evaluate this dataset using variational auto-encoder and machine learning regressor assembly.

The final approach to calculate predicted performance \hat{Y} can be explained in a step by step manner as follows:

- First, we utilize the dataset $\langle X_{T1}, X_{T2}, X_{CW} \rangle, \langle X_{MTE}, X_{CW} \rangle$, or $\langle X_{ETE}, X_{CW} \rangle$ to train a VAE.
- Then, the dataset is passed through trained encoder $VAE(.)_{Encoder}$ to get features in term of F_μ and F_σ .
- Feature-set F_μ is selected as a set of variationally conditioned features.
- F_μ is then passed through the machine learning regressor to get output predicted performance \hat{Y} .

Evaluation Criteria

The models were evaluated using various evaluation criteria, which include R^2 -score, mean absolute error (MAE), mean squared error (MSE), and root-mean-squared error (RMSE). Calculation of all these metrics ensures a better evaluation of our regression models. The calculation involves true performance score Y , predicted performance score \hat{Y} , and the mean score \bar{Y}

$$R^2 \text{ score} = 1 - \frac{\sum_k (Y_k - \hat{Y}_k)^2}{\sum_k (Y_k - \bar{Y})^2} \tag{20}$$

$$MAE = \frac{1}{\sum K} \sum_k \|Y_k - \hat{Y}_k\| \tag{21}$$

$$MSE = \frac{1}{\sum K} \sum_k (Y_k - \hat{Y}_k)^2 \tag{22}$$

$$RMSE = \sqrt{MSE} \tag{23}$$

R^2 -score helps in deduction of the variation in the points along the regression line. These evaluation criteria metrics give an estimate of the effective predictions above the mean of the predicted label. MAE, MSE, and RMSE help us to infer the error in predicting students' performance.

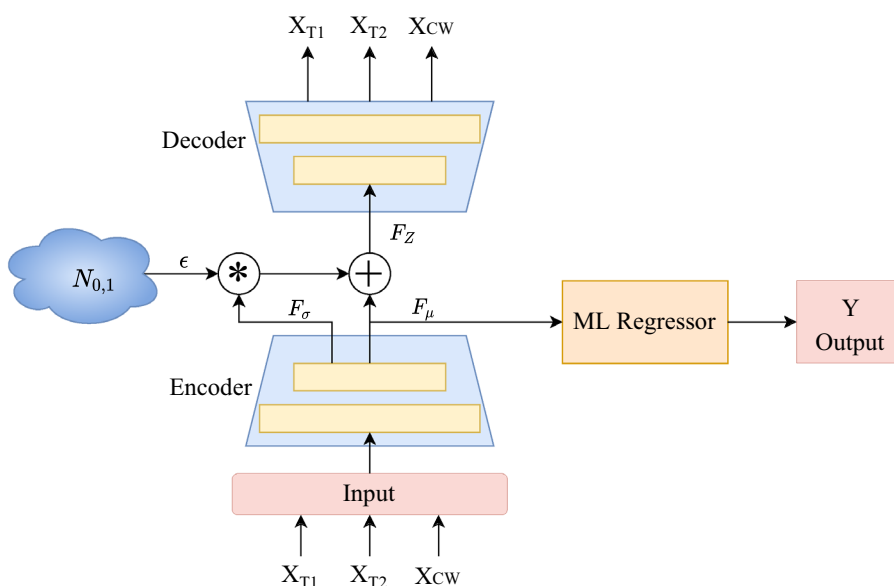
Results and Discussion

The datasets mentioned previously, in dataset description section, can be analyzed based on two methods: one, using exploratory analysis, and other using methods discussed in the section—Approach (Fig. 2).

Exploratory Data Analysis

Exploratory analysis of the datasets can be done using gradient maps, correlation matrix, and distribution of data points. Figure 3 shows the distribution of various features of the datasets. It is clearly visible that X_{MTE} and X_{ETE} have a similar distribution to the actual students' scores. However, the distribution of X_{T1} , X_{T2} , and X_{CW} are quite different from the distribution of overall performance. Visual analysis of

Fig. 2 Performance estimation using variational auto-encoder with ML regressors



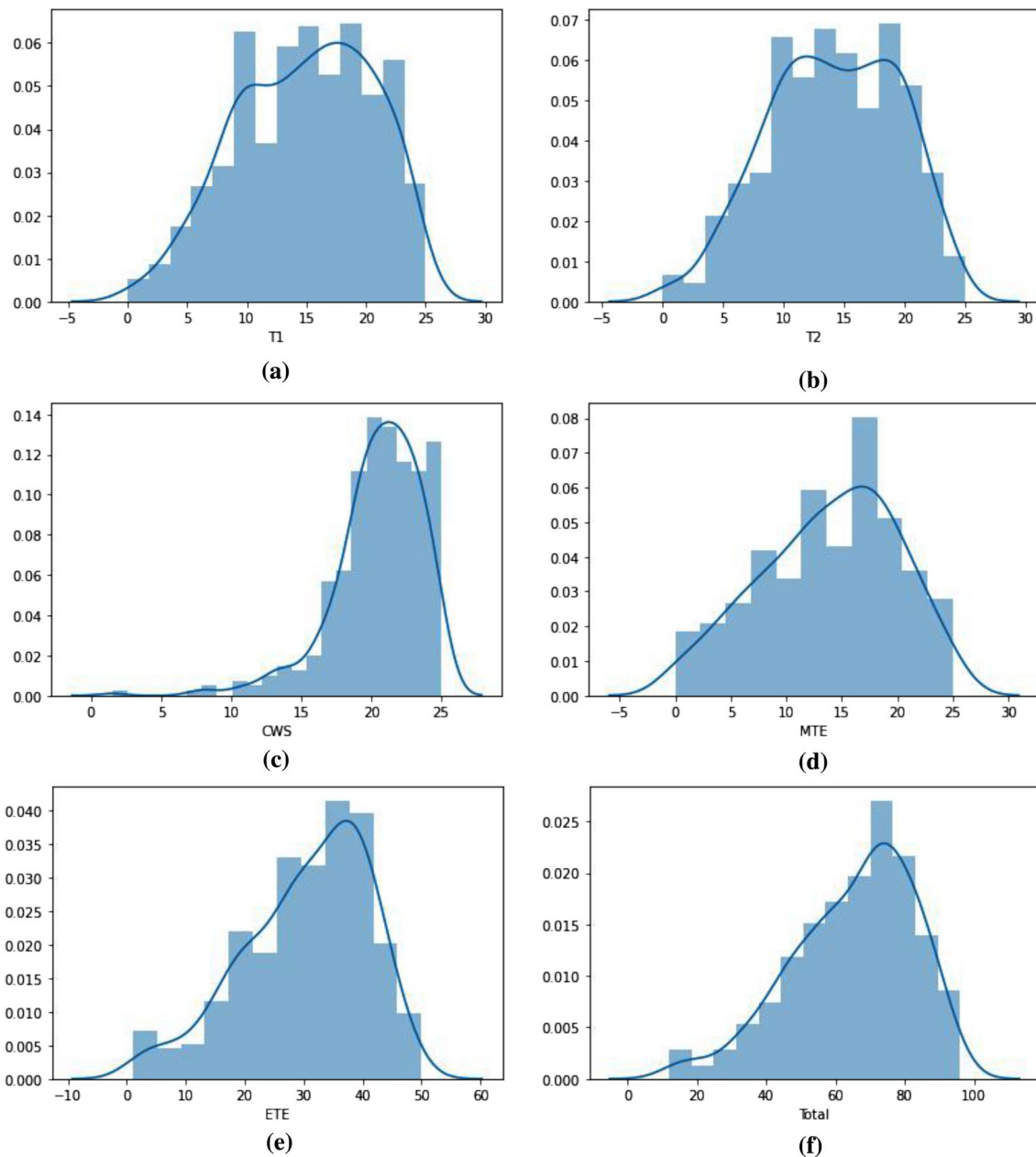


Fig. 3 Distribution of data points for D_1 and D_2 datasets **a** test 1 (X_{T1}), **b** test 2 (X_{T2}), **c** class assessment (X_{CW}), **d** mid-term evaluation marks (X_{MTE}), **e** end-term evaluation marks (X_{ETE}), and **f** total performance of student (Y)

these plots suggests some correlation between the features and final prediction score.

Moreover, the correlation matrix, in Fig. 4 shows similar results with high correlation values of 0.88 and 0.96 for X_{MTE} and X_{ETE} , respectively. Unlike that, X_{T1} and X_{T2} have a lower correlation score of 0.69 and 0.64 with respect to the total performance score of students'. The correlations can further be verified with the gradient maps, as shown in Fig. 5. It clearly demonstrates that X_{MTE} vs. X_{ETE} has an evident trend of possible marks in comparison to X_{T1} vs. X_{T2} .

Prediction Results

The results of predictive modeling using various approaches described under the section—Approach—are given in Tables 2, 3, and 4. For dataset D_1 , the results using VAE with machine learning classifiers along with GRU and LSTM are reported. It is evident that minimum error was acquired by VAE in conjunction with Extra Tree Regressor classifier with R^2 -score, MAE, MSE, and RMSE of 0.720, 5.943, 77.709, and 8.781, respectively. The results show

Fig. 4 Correlation matrix for **a** dataset D_1 ; **b** dataset D_2

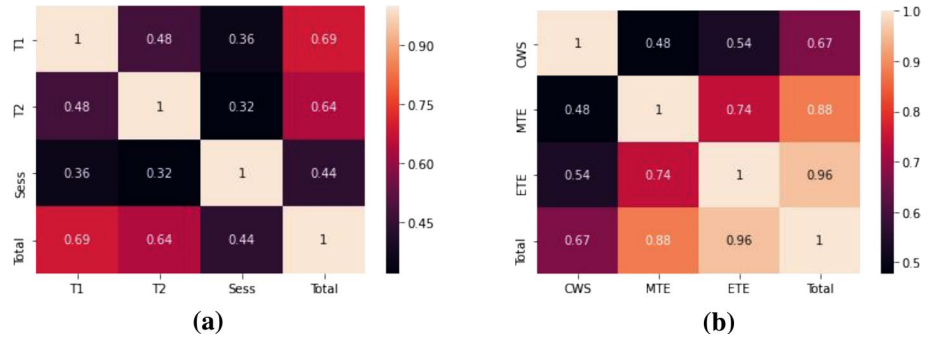


Fig. 5 Gradient maps of students' performance for **a** X_{T1} vs. X_{T2} ; **b** X_{ETE} vs. X_{MTE}

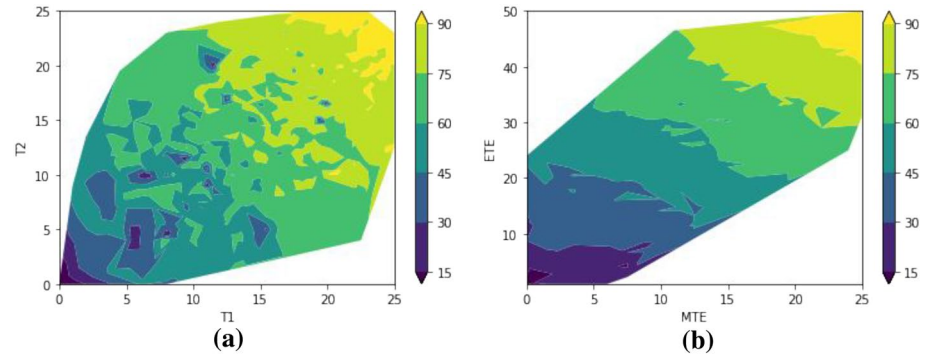


Table 2 Results for dataset D_1 using features— X_{T1} , X_{T2} , and X_{CW} ; evaluation performed using— R^2 -score, MAE, MSE, RMSE

	R^2 score	MAE	MSE	RMSE
VAE + MLP	0.561	7.601	124.679	11.129
VAE + LR	0.585	7.191	116.077	10.744
VAE + ET	0.720	5.943	77.709	8.781
VAE + RF	0.720	6.264	78.595	8.815
VAE + XGB	0.714	6.211	80.053	8.922
VAE + KNN	0.584	7.342	115.858	10.755
LSTM	0.587	138.230	11.757	7.356
GRU	0.672	77.214	8.787	6.431

Table 4 Results for dataset D_2 using features— X_{ETE} and X_{CW} ; evaluation performed using— R^2 -score, MAE, MSE, and RMSE

	R^2 score	MAE	MSE	RMSE
VAE + MLP	0.943	3.495	17.171	4.141
VAE + LR	0.947	3.385	17.279	4.154
VAE + ET	0.918	4.104	26.646	5.144
VAE + RF	0.928	3.901	23.430	4.829
VAE + XGB	0.929	3.881	22.976	4.788
VAE + KNN	0.933	3.798	21.706	4.649
LSTM	0.926	4.263	19.078	4.367
GRU	0.927	3.949	18.885	4.345

Table 3 Results for dataset D_2 using features— X_{MTE} and X_{CW} ; evaluation performed using— R^2 -score, MAE, MSE, and RMSE

	R^2 Score	MAE	MSE	RMSE
VAE + MLP	0.867	5.293	43.595	6.590
VAE + LR	0.866	5.325	44.142	6.633
VAE + ET	0.796	6.352	67.329	8.173
VAE + RF	0.823	5.975	58.386	7.621
VAE + XGB	0.808	6.139	63.157	7.918
VAE + KNN	0.842	5.727	52.204	7.203
LSTM	0.845	5.180	43.748	6.614
GRU	0.850	4.954	42.362	6.508

sufficient utility of X_{T1} and X_{T2} for students' performance prediction. Also, almost similar R^2 -score is obtained for VAE in conjunction with Random Forest Regressor with R^2 -score, MAE, MSE, and RMSE of 0.720, 6.264, 78.595, and 8.815, respectively.

For dataset D_2 , the results using two different experiments are shown. In Table 3, using X_{MTE} and X_{CW} , it is evident that minimum error was acquired by VAE with Multi-layer Perceptron Regressor with R^2 -score, MAE, MSE, and RMSE values of 0.867, 5.293 43.595, and 6.590, respectively. Also, almost similar R^2 -score is obtained for VAE in conjunction with Linear Regressor with R^2 -score, MAE, MSE, and RMSE of 0.866, 5.3254, 44.142, and 6.633, respectively. The results establish the utility of X_{MTE} and X_{CW}

Table 5 Comparison of the proposed approach with other related works

Method	Metric	Score
Chen et al. (2014) [4]	R^2	0.72
Al-Shehri et al. (2017) [1]	R^2	0.82
Olive et al. (2019) [11]	Acc.	0.77
Proposed approach	R^2	0.94

R^2 and accuracy metrics are used. It can be noted that the proposed method has a significant improvement in R^2 score

for predicting students' performance in case of a deferred evaluation of an ongoing academic session.

In Table 4, for X_{ETE} and X_{CW} , it is evident that minimum error was acquired using VAE in conjunction with Linear Regressor with with a R^2 -score, MAE, MSE, and RMSE of 0.947, 3.385, 17.279, and 4.154, respectively. Also, almost similar R^2 -score is obtained for VAE in conjunction with multi-layer perceptron with R^2 -score, MAE, MSE, and RMSE of 0.947, 3.385, 17.279, and 4.154, respectively. The results show that due to substantial weightage and maximum efforts given by the students, X_{ETE} has the highest impact on the evaluation of a student's collective performance.

Analysis and Discussion

The above results show that the final performance of the student is impacted most by the X_{ETE} , followed by X_{MTE} , and X_{T1} and X_{T2} . This is evident from the maximum weightage of X_{ETE} in the final evaluation. This is also due to maximum concern of students on end-term evaluation due to maximum weightage. Similarly, in case of a deferred evaluation of an academic performance, we can suggest from the results that using X_{MTE} along with X_{CW} is a better option for evaluation than X_{T1} , X_{T2} and X_{CW} .

Also, of all the models tested by us, the best results were obtained by VAE-based models methods, as shown in Table 5. This shows superiority of latent space models above sequential models for performance estimation. Our models attained fairly large R^2 -score, in comparison to other previous works, which shows how good deep learning techniques are for evaluation and prediction purposes. It should be noted that there is significant scope of increment in the size of our dataset, and it should only add to further improvement of the proposed deep learning approaches.

Conclusion

This study features the role of CI in alleviation of challenges and impact of COVID pandemic on education. Application of deep learning methods for academic performance

estimation is shown. State of the current arts is explained with conclusive-related work. For the purpose of evaluation and benchmarking, an anonymized students' academic performance dataset, called IITR-APE, was created and will be released in the public domain. The promising performance of the proposed approach explains the suitability of modern-day CI methods for modeling students' academic patterns. However, we feel that availability of larger datasets would further allow the system to be more accurate. For this, we are building a larger public version of the current dataset. It was observed through the performance stats and gradient maps that better prediction happens when all components of final grade have equal weightage. It is thus suggested to have a continual evaluation strategy, i.e., there should be many equally weighted tests or assignments, conducted regularly with short frequency, rather than conducting two or three high weightage exams.

This work is an attempt in the direction of enabling CI-based methods for handling adverse effects of COVID like pandemics on education. It is expected that this study may pave the path for future research in the direction of CI enabled predictive assessment of students' marks.

Acknowledgements This work was supported by the Ministry of Electronics and Information Technology, Gov. of India, under Grant number MIT1100CSE. The dataset was contributed by Indian Institute of Technology, Roorkee.

Author Contributions VB and HB have contributed equally to the experiments and manuscript preparation. BR reviewed and provided supervision to the research.

Funding Not applicable.

Availability of data and materials The dataset generated and analyzed during this study is available in the public domain for research purpose at: <https://www.hbachchas.github.io/data.html>.

Declarations

Conflict of interest On behalf of all authors, the corresponding author states that there is no conflict of interest.

References

1. Al-Shehri H, Al-Qarni A, Al-Saati L, Batoaq A, Badukhen H, Alrashed S, Alhiyafi J, Olatunji SO. Student performance prediction using support vector machine and k-nearest neighbor. In: 2017 IEEE 30th Canadian conference on electrical and computer engineering (CCECE). IEEE; 2017, p. 1–4.
2. Buckchash H, Raman B. Variational conditioning of deep recurrent networks for modeling complex motion dynamics. IEEE Access. 2020;8:67822–34.
3. Cao W, Fang Z, Hou G, Han M, Xu X, Dong J, Zheng J. The psychological impact of the Covid-19 epidemic on college students in China. Psychiatry Res. 2020;5:112934.

4. Chen JF, Do QH. Training neural networks to predict student academic performance: a comparison of cuckoo search and gravitational search algorithms. *Int J Comput Intell Appl.* 2014;13(01):1450005.
5. Delnoij LE, Dirkx KJ, Janssen JP, Martens RL. Predicting and resolving non-completion in higher (online) education—a literature review. *Educ Res Rev.* 2020;29:100313.
6. Duckworth F, Lewis A. A successful operational research intervention in one-day cricket. *J Oper Res Soc.* 2004;55(7):749–59.
7. Harvey JL, Kumar SA. A practical model for educators to predict student performance in k-12 education using machine learning. In: 2019 IEEE symposium series on computational intelligence (SSCI). IEEE; 2019. p. 3004–11.
8. Hellas A, Ihantola P, Petersen A, Ajanovski VV, Gutica M, Hyninen T, Knutas A, Leinonen J, Messom C, Liao SN. Predicting academic performance: a systematic literature review. In: Proceedings companion of the 23rd annual ACM conference on innovation and technology in computer science education. 2018. p. 175–99.
9. Li Z, Shang C, Shen Q. Fuzzy-clustering embedded regression for predicting student academic performance. In: 2016 IEEE international conference on fuzzy systems (FUZZ-IEEE). IEEE; 2016. p. 344–51.
10. Livieris I, Mikropoulos T, Pintelas P. A decision support system for predicting students' performance. *Themes Sci Technol Educ.* 2016;9(1):43–57.
11. Olive DM, Huynh DQ, Reynolds M, Dougiamas M, Wiese D. A quest for a one-size-fits-all neural network: early prediction of students at risk in online courses. *IEEE Trans Learn Technol.* 2019;12(2):171–83.
12. Patil AP, Ganesan K, Kanavalli A. Effective deep learning model to predict student grade point averages. In: 2017 IEEE international conference on computational intelligence and computing research (ICCCIC). IEEE; 2017. p. 1–6.
13. Sahu P. Closure of universities due to coronavirus disease 2019 (Covid-19): impact on education and mental health of students and academic staff. *Cureus.* 2020;12(4). <https://dx.doi.org/10.7759%2Fcureus.7541>.
14. Spinelli A, Pellino G. Covid-19 pandemic: perspectives on an unfolding crisis. *The British journal of surgery.* 2020; 107(7):785–787.
15. Zawacki-Richter O, Marín VI, Bond M, Gouverneur F. Systematic review of research on artificial intelligence applications in higher education—where are the educators? *Int J Educ Technol Higher Educ.* 2019;16(1):39.

Publisher's Note Springer Nature remains neutral with regard to jurisdictional claims in published maps and institutional affiliations.