

Article

Frequency Response of Graphene Electrolyte-Gated Field-Effect Transistors

Charles Mackin , Elaine McVay and Tomás Palacios *

Massachusetts Institute of Technology, Department of Electrical Engineering and Computer Science, 77 Massachusetts Avenue, Cambridge, MA 02139, USA; cmackin@mit.edu (C.M.); emcvay@mit.edu (E.M.)

* Correspondence: tpalacios@mit.edu; Tel.: +1-(617)-324-2395

Received: 16 January 2018; Accepted: 1 February 2018; Published: 7 February 2018

Abstract: This work develops the first frequency-dependent small-signal model for graphene electrolyte-gated field-effect transistors (EGFETs). Graphene EGFETs are microfabricated to measure intrinsic voltage gain, frequency response, and to develop a frequency-dependent small-signal model. The transfer function of the graphene EGFET small-signal model is found to contain a unique pole due to a resistive element, which stems from electrolyte gating. Intrinsic voltage gain, cutoff frequency, and transition frequency for the microfabricated graphene EGFETs are approximately 3.1 V/V, 1.9 kHz, and 6.9 kHz, respectively. This work marks a critical step in the development of high-speed chemical and biological sensors using graphene EGFETs.

Keywords: ambipolar transistor; chemical and biological sensors; device modeling; frequency response; small-signal model; electrophysiology; graphene field-effect transistor (GFET); graphene electrolyte-gated field-effect transistor (EGFET)

1. Introduction

Graphene consists of an atomically thin layer of sp^2 -bonded carbon atom arranged in a hexagonal lattice [1–4]. Although graphene lacks a bandgap and is ill suited for traditional digital logic circuits, graphene exhibits a number of promising electrical, optical, mechanical, and chemical properties making it well suited for a variety of chemical and biological sensing applications. Key properties include high carrier mobilities [5], low optical absorption [6,7], mechanical strength and flexibility [6–10], as well as chemical stability [11–14]. Because graphene exhibits excellent chemical stability and does not form a native oxide like its silicon metal-oxide-semiconductor field-effect transistor (Si-MOSFET) counterparts, graphene electrolyte-gated field-effect transistors (EGFETs) can take full advantage of the ultrahigh gate capacitance resulting from the electric double layer phenomenon [15]. Excellent chemical stability also enables a direct interface with many chemical and biological environments [11,13,14,16]. This ultra-high gate capacitance, which is in the order of $\mu\text{F}/\text{cm}^2$, provides graphene EGFETs with excellent transconductance performance [17,18]. It also raises the concern of impaired frequency response due to high parasitic gate-source and gate-drain capacitances. This is especially concerning in the case of graphene EGFETs because transconductance performance is greatly enhanced by recessing device passivation such that portions of the source and drain contacts are exposed [19].

A number of models have been developed describing the DC behavior of graphene FETs, including two models which accurately describe DC characteristics of graphene EGFETs [20–25]. Little work, however, has been reported regarding the AC capabilities of graphene EGFETs. Accurate frequency response models are critical in the development of graphene EGFETs for applications such as electrophysiology sensors. Previous studies have shown graphene EGFETs capable of providing low-noise signal transduction for neuronal action potentials [16,26]. These studies, however, employ

graphene EGFETs merely for source-drain current modulation (i.e., as tunable resistors) and therefore result in greatly attenuated action potential signals.

The aim of this paper is two-fold: to advance graphene EGFET sensing technology for applications such as electrophysiology by demonstrating the ability of graphene EGFETs to operate as functional amplifiers, and to develop the corresponding small-signal frequency-dependent model necessary to understand the amplification characteristics. Development of high-speed graphene EGFETs may find use as chemical sensors in applications such as high-throughput microfluidics [27]. Characterization of frequency response for the first time also enables entirely new sensing technologies, such as electronic tongues, where changes in the frequency response (i.e., spectral content) may be analyzed to sense changes in solution composition. This is closely related to spectroscopic and time constant techniques employed in electronic nose technologies [28–30]. Lastly, frequency response characterization is critical in avoiding signal aliasing when interfacing graphene EGFET sensors with analog-to-digital (ADC) converters in the development of practical sensor readout systems [31].

2. Graphene EGFET Background

2.1. Graphene-Electrolyte Interface Capacitance

Immersion of an electrode in an electrolyte results in the accumulation of ions at the electrode/electrolyte interface due to differences in electrochemical potential. This phenomenon is termed the electric double layer. The amount of charge stored in the electric double layer may be controlled—much like a capacitor—by changing the electric potential of the electrode with respect to the electrolyte potential [32]. In the case of graphene, the capacitance of the electric double layer is large enough that accurately modeling the graphene-electrolyte interface capacitance requires inclusion of the graphene quantum capacitance [15]. Quantum capacitance is proportional to the density of states and places an upper bound on the capacitance achievable in two-dimensional materials such as graphene. The graphene quantum capacitance is critical to understanding the effects of parasitic capacitances on graphene EGFET frequency response. Equations (1) and (2) describe the graphene quantum capacitance [18].

$$C_Q = \frac{2q^2}{\hbar v_F \sqrt{\pi}} (|n_G| + |n^*|)^{1/2} \quad (1)$$

$$n_G = \left(\frac{qV_{ch}}{\hbar v_F \sqrt{\pi}} \right)^2 \quad (2)$$

Here \hbar is the reduced Planck constant, v_F is the Fermi velocity, n_G is the carrier concentration induced by the gate voltage, n^* is the effective charged impurity concentration, and V_{ch} is the electric potential of the graphene channel.

Graphene-electrolyte interface capacitances have been experimentally examined in numerous works [17,19,33,34]. The graphene/electrolyte interface capacitance may be modeled using a parallel plate capacitor in series with the graphene quantum capacitance. As a hydrophobic material, graphene repels aqueous electrolytes resulting in an angstrom-scale gap between the electrolyte and graphene surface. This forms a parallel plate capacitor, which reduces the complex voltage-dependence capacitance typical of electric double layers. Ultimately, graphene-electrolyte interface capacitances typically range from approximately 1–5 $\mu\text{F}/\text{cm}^2$ as measured by electrochemical impedance spectroscopy (EIS), and shown in Figure 1. The mean value of the graphene-electrolyte interface capacitance is 3 $\mu\text{F}/\text{cm}^2$, which is useful for approximations.

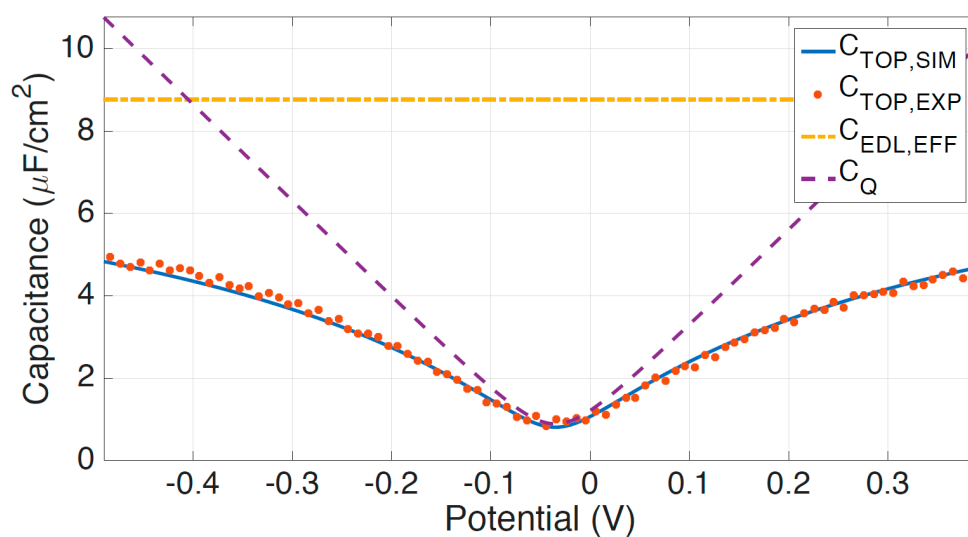


Figure 1. Measured top-gate capacitance as a function of potential using electrochemical impedance spectroscopy. $C_{TOP,EXP}$ (dotted red) is the measured top-gate capacitance, $C_{EDL,EFF}$ (dash-dot yellow) is the effective electric double layer capacitance, C_Q (dashed purple) is the quantum capacitance, and $C_{TOP,SIM}$ (blue) is the simulated top-gate capacitance. $C_{TOP,SIM}$ consists of the effective double layer capacitance in series with the graphene quantum capacitance.

2.2. Graphene EGFET DC Current-Voltage Model

Graphene EGFETs are comprised of two conductive contacts, typically metals, connected by a graphene channel region. The bulk of the metal leads are passivated to reduce leakage current through the electrolyte due to applied gate voltage. The graphene channel region is gated directly through the electrolyte using a reference or pseudo-reference electrode. Figure 2 depicts the typical layout for a graphene EGFET and experimental setup.

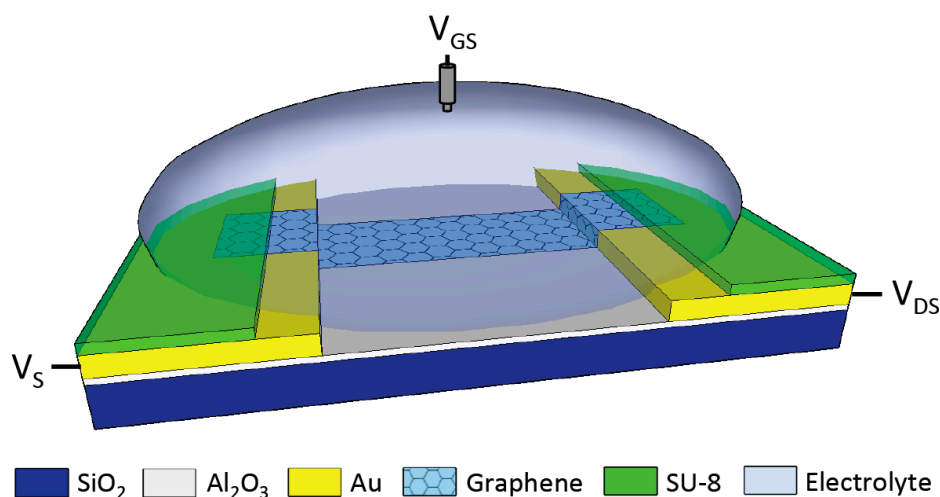


Figure 2. Graphene electrolyte-gated field-effect transistors (EGFET) with recessed top-gate capacitance due to non-self-aligned source/drain passivation. The gate voltage is applied using a reference electrode.

The current at any given position in the graphene channel is determined by the product of carrier concentration and the carrier drift velocity, which is scaled appropriately by the elementary charge and channel width. This principle, in conjunction with current continuity, enables calculation of the

graphene EGFET current and the corresponding channel potential profile. The channel current is given by the following equation [19,20,35]:

$$I_{DS} = \frac{q\mu \frac{W}{L} \int_{I_{DS}R_C}^{V_{DS}-I_{DS}R_C} \sqrt{n_0^2 + [C_{TOP}(V)[V_{GS, TOP} - V - V_0]/q]^2} dV}{1 + \left| \frac{\mu(V_{DS}-2I_{DS}R_C)}{Lv_{sat}} \right|} \quad (3)$$

where W is the channel width and L is the channel length, μ is the carrier mobility, and V is the channel potential which is a function of position, n_0 is the minimum carrier concentration [36,37], C_{TOP} is the top-gate capacitance, $V_{GS, TOP}$ is the applied top gate voltage, v_{sat} is the saturation velocity, R_C is the contact resistance, and V_0 represents the gate voltage at the Dirac point. This particular model assumes carrier mobilities are equal for holes and electrons and independent of the carrier concentration. Contact resistances are assumed to be symmetric. It is also important to note that chemical and biological sensors employing graphene EGFETs are typically biased at low voltages to avoid undesirable reduction-oxidation reactions of chemical species in the electrolyte. Because of this, carrier drift velocity is typically well below the saturation velocity. Saturation velocity is included nonetheless for completeness.

2.3. Graphene EGFET Small-Signal Model

The graphene EGFETs under study are three terminal devices possessing source, drain, and gate terminals. All voltages and currents are referenced with respect to the source terminal making V_{GS} , V_{DS} , I_{GS} and I_{DS} an exhaustive list of the voltages and currents of interest. Small signal intrinsic voltage gain is defined as $A_V = g_m r_o = \partial V_{DS} / \partial V_{GS}$, where g_m is the transconductance, which is defined as $\partial I_{DS} / \partial V_{GS}$, and r_o is the output impedance defined as $\partial V_{DS} / \partial I_{DS}$. Development of a frequency-dependent graphene EGFET small-signal model requires an accurate model for electrode-electrolyte interfaces. This is accomplished using a simplified Randles circuit as given by Figure 3 [38,39].

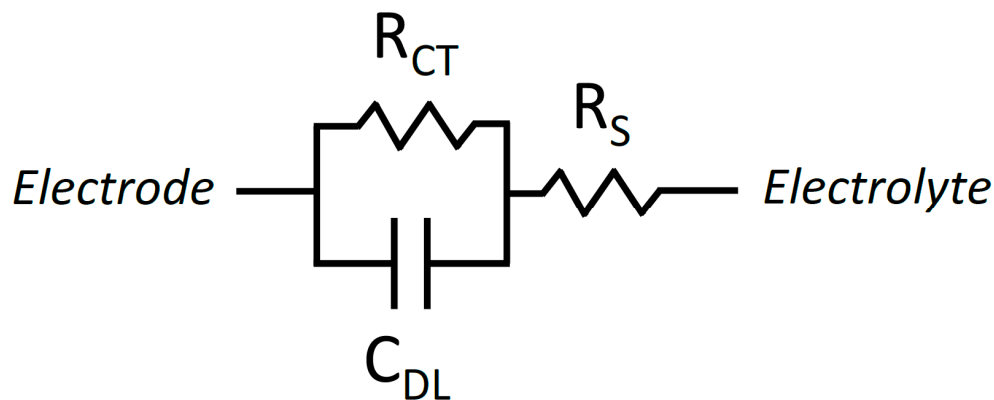


Figure 3. Schematic representation of the simplified Randles circuit commonly used to model electrode-electrolyte interfaces.

R_{CT} represents the charge transfer resistance, R_S is the solution resistance, and C_{DL} is the double layer capacitance. Electrode-electrolyte interfaces occur in three locations: the electrolyte-source interface, the electrolyte-drain interface, and at the reference electrode's interface with the electrolyte. The simplified Randles circuit is substituted into the small-signal model at each of these locations. Graphene is known to possess a wide electrochemical window in electrolytic environments [11]. This translates into a very high charge transfer resistance R_{CT} , roughly on the order of $G\Omega$. Because of this, R_{CT} can be safely neglected at the gate-source and gate-drain terminals. This leads to the small-signal graphene EGFET model depicted in Figure 4.

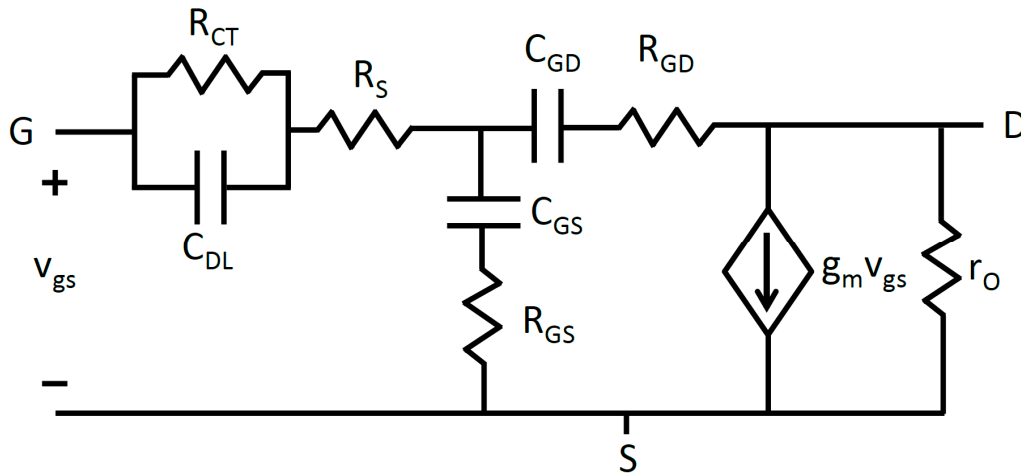


Figure 4. Graphene EGFET small-signal models depicting gate-source and drain-source capacitances and resistances using the simplified Randles circuit model.

Electrochemistry experiments possess two interfaces, only one of which is the focus of study. In this case, the first interface exists between the reference electrode and electrolyte and the second interface occurs between the electrolyte and graphene EGFET. Reference electrodes are specifically designed to provide a stable reference potential and effectively translate changes in applied voltage entirely to the interface under study. This means that the reference electrode effectively translates the entirety of the small signal voltage v_{gs} to the graphene EGFET and electrolyte interface. Because no series voltage drop occurs at the reference electrode, the simplified Randles circuit for the reference electrode may be neglected. Applying this fact in conjunction with the Miller theorem leads to the final small-signal model depicted in Figure 5.

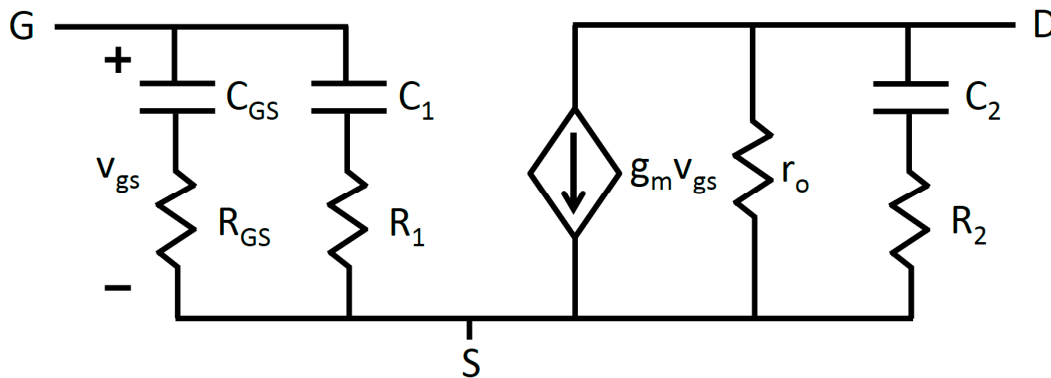


Figure 5. Final graphene EGFET small-signal model after application of the Miller theorem.

This small-signal model for graphene EGFETs leads to the transfer function given by Equation (4).

$$A_v(s) = -g_m r_o \frac{1 + sR_2C_2}{1 + s(R_2 + r_o)C_2} \tag{4}$$

It becomes evident that the graphene EGFET small-signal model, unlike a Si-MOSFETs possesses a resistive component R_2 in series with the output parasitic capacitance. This unique component stems from the fact that graphene EGFETs are electrolyte-gated. Looking at the transfer function in the limits of low and high frequency operation produces the Equations (5) and (6), respectively.

$$\lim_{s \rightarrow 0} A_v(s) = -g_m r_o \tag{5}$$

$$\lim_{s \rightarrow \infty} A_v(s) = -g_m r_o \frac{R_2}{R_2 + r_o} \quad (6)$$

R_1 and C_1 are given by Equations (7) and (8). Because gain A_v is a negative value, the absolute value of the gain $|A_v|$ is used for clarity in showing how the magnitude of parasitic impedances are amplified at the input.

$$R_1 = R_{GD}(1 + |A_v|) \quad (7)$$

$$C_1 = C_{GD}(1 + |A_v|) \quad (8)$$

Similarly, equivalent impedances at the output are slightly reduced and given by Equations (9) and (10). This wholly details the development of the graphene EGFET small-signal model from first principles and provides the necessary reference equations describing individual model components.

$$R_2 = \frac{|A_v|}{1 + |A_v|} R_{GD} \quad (9)$$

$$C_2 = \frac{(1 + |A_v|)}{|A_v|} C_{GD} \quad (10)$$

3. Materials and Methods

3.1. Graphene EGFET Fabrication

Graphene EGFETs were fabricated on a piranha cleaned 4" thermally oxidized silicon wafer. Source and drain Ti/Au (10 nm/150 nm) contacts were patterned using lift-off photolithography. Monolayer graphene was then grown on copper foils using chemical vapor deposition (CVD) and transferred over the entire substrate [40]. The graphene channel regions were defined using MMA/SPR700 bilayer resist stacks and helium and oxygen plasma at 16 sccm and 8 sccm, respectively. Bilayer photoresist stacks were removed using acetone and isopropanol. The entire wafer was passivated with approximately 0.6 μm of SU-8 2000.5 and windows were photo defined to provide electrolyte access to the graphene EGFET channel regions. The SU-8 was hard-baked at 150 °C for five minutes to help remove cracks and pinholes. Figure 6 depicts a graphene EGFET at various stages in the fabrication process. An aqueous electrolyte droplet of 100 mM NaCl was pipetted over the graphene EGFET channel regions and a reference electrode was inserted into the droplet to gate the devices. Aqueous 100 mM NaCl was chosen because of its charge symmetry and similarity to physiological osmolarity.

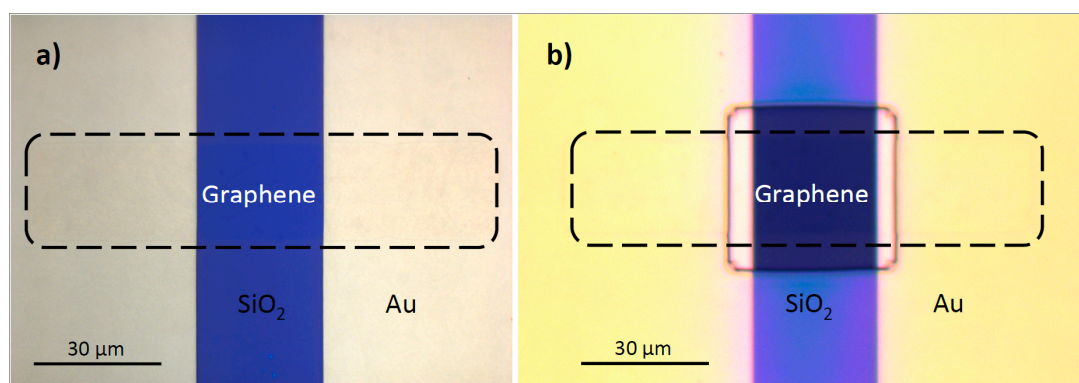


Figure 6. (a) Mesa etched graphene after removal of the bilayer MMA/SPR700 resist stack and (b) completely fabricated graphene EGFET with lead passivation using a recessed SU-8 layer.

3.2. Experimental Setup

Two experimental setups were employed for graphene EGFET characterization: one for DC characterization and one for AC characterization. DC characterization was performed to measure the graphene EGFET drain-source current I_{DS} as a function of V_{DS} and V_{GS} . This enables the calculation of transconductance, output impedance as well as intrinsic voltage gain. DC characterization also provides an independent means for measuring intrinsic voltage gain. In that way, DC and AC voltage gains can be compared and verified as consistent. AC characterization was performed by applying a small-signal voltage V_{GS} to a common-source graphene EGFET amplifier and measuring the resulting output voltage V_{DS} as a function of frequency.

The graphene EGFET experimental data is obtained from a device with dimensions $W/L = 30 \mu\text{m}/30 \mu\text{m}$ and recessed passivation such that approximately $10 \mu\text{m}$ of the drain and source contacts were exposed to electrolyte. The device was measured in 100 mM aqueous NaCl electrolyte. DC measurements employed a platinum wire pseudo reference electrode for convenience. AC measurements require the use of a Ag/AgCl reference electrode. All measurements are taken at room temperature under ambient conditions with normal ventilation. The volume of the electrolyte droplet was monitored throughout the experiment and did not decrease appreciably indicating constant electrolyte concentration over the course of measurements.

4. Results

4.1. DC Characterization

DC data was acquired by sweeping V_{GS} from -0.2 to 0.8 V and V_{DS} from 10 mV to 150 mV. The step size was 10 mV for both V_{GS} and V_{DS} . The V_{GS} step rate was 500 ms per 10 mV. A ten second hold time was allotted when resetting V_{GS} from 0.8 V to -0.2 V and incrementing V_{DS} by 10 mV. Further increasing the hold time and decreasing the sweep rate had little effect on the DC curves meaning sufficient time was given for the ions to redistribute at the graphene-electrolyte interface and for the electric double layer to reach steady state. Full DC characterization consists of over 1500 data points. A conventional representation of the graphene EGFET DC characteristic is presented in Figure 7.

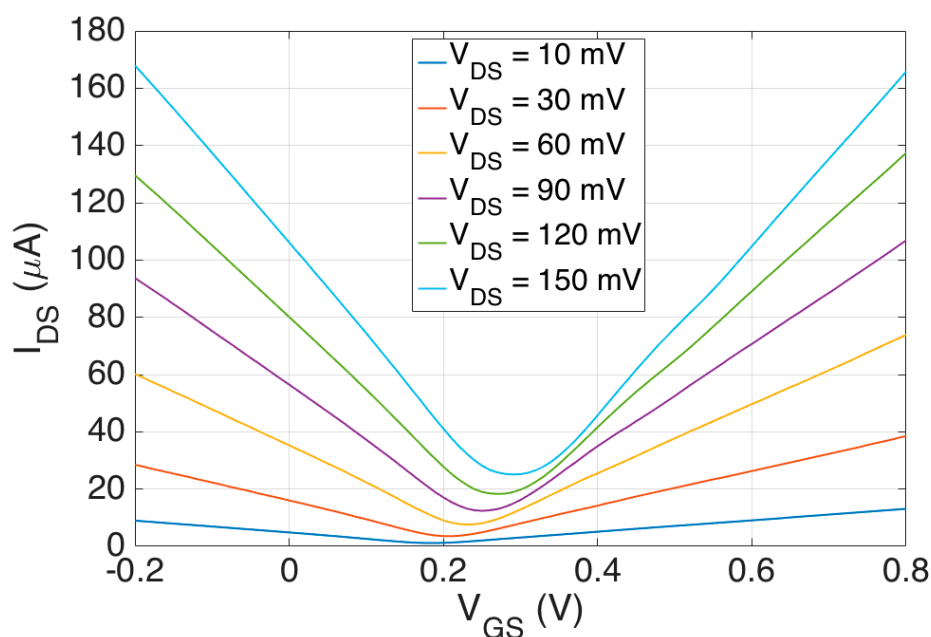


Figure 7. Graphene EGFET I_{DS} vs. V_{GS} for different applied V_{DS} values.

Intrinsic gain for the graphene EGFET was calculated by taking partial derivatives with respect to V_{GS} and V_{GS} . Recall that intrinsic gain $A_V = g_m r_o = \partial V_{DS} / \partial V_{GS}$, where g_m is $\partial I_{DS} / \partial V_{GS}$ and r_o is $\partial V_{DS} / \partial I_{DS}$. Partial derivatives of the graphene DC characteristic are calculated numerically using finite differences to produce Figure 8.

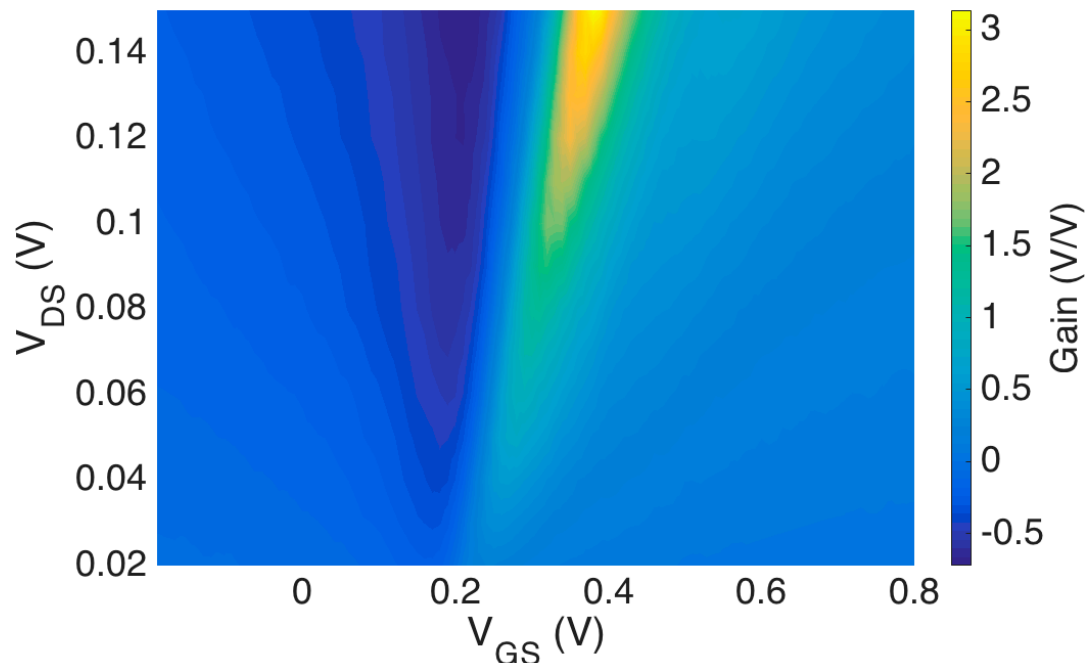


Figure 8. Intrinsic voltage gain as a function of V_{DS} and V_{GS} as calculated from DC characterization.

4.2. Graphene EGFET Frequency Response

The frequency response of graphene EGFETs was investigated using the common-source (CS) amplifier configuration. In this way graphene EGFET frequency response is investigated while simultaneously demonstrating a graphene EGFET as functional amplifiers for the first time. A 98.99 k Ω resistor was employed as the drain resistor R_D . The operating voltage V_{CC} was approximately 3.3 V and the drain of the graphene EGFET was biased at approximately 150 mV. Graphene EGFETs are not biased at high V_{DS} voltages to avoid undesirable redox reactions at the graphene-electrolyte interface and potential damage to the graphene channel. A small-signal 20 mV p-p sinusoid v_{in} was superimposed on a DC V_{GS} bias. The DC bias was then manually adjusted to maximize the output v_o and small-signal gain of the amplifier. The optimal V_{GS} bias was found to be to the right of the Dirac point on the graphene I–V curve, which is consistent with Figure 8. This indicates that the graphene EGFET channel is n-type and that the transconductance is positive with respect to the orientation depicted in Figure 5. The frequency of the small-signal input voltage v_{in} was then swept from 10 Hz to 50 kHz in order to characterize the CS amplifier's frequency-dependent magnitude response. The CS amplifier transfer function closely resembles the transfer function of the intrinsic graphene EGFET derived in Equation (4). The key exception is that the CS amplifier contains an additional drain resistor R_D at the output, which leads to the CS amplifier transfer function given by Equation (11).

$$G_v(s) = -g_m(r_o // R_D) \frac{1 + sR_2C_2}{1 + s[R_2 + (r_o // R_D)]C_2} \quad (11)$$

The measured CS amplifier magnitude response was fit to the newly developed small-signal model for graphene EGFETs as shown by Figure 9. The CS amplifier reference schematic is provided as an inset in Figure 10 for convenience. Fitting was achieved using bounded simulating annealing in

conjunction with a least squares error function. Transconductance was estimated at 250 μS from the DC characterization data previously obtained for a V_{DS} operating bias of 150 mV. Small-signal model parameters, r_o , R_2 , and C_2 were extracted as 12.2 k Ω , 3.4 k Ω , and 5.7 nF, respectively. The experimental data verifies the presence of parasitic capacitance C_2 , which is responsible for the roll-off in gain. The experimental magnitude response also verifies the presence of resistance R_2 at the output, a unique feature in graphene EGFETs stemming from electrolyte solution resistance R_S . Maximum gain, cutoff frequency, and transition frequency were found to be approximately 2.8 V/V, 2.0 kHz, and 7.8 kHz, respectively.

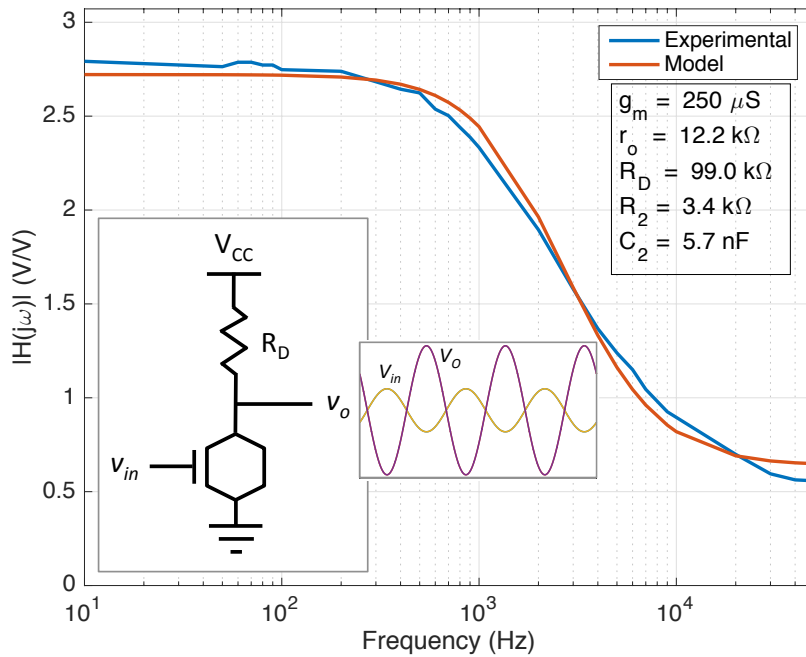


Figure 9. Fit of experimental graphene EGFET magnitude response with newly developed small-signal model for graphene EGFETs.

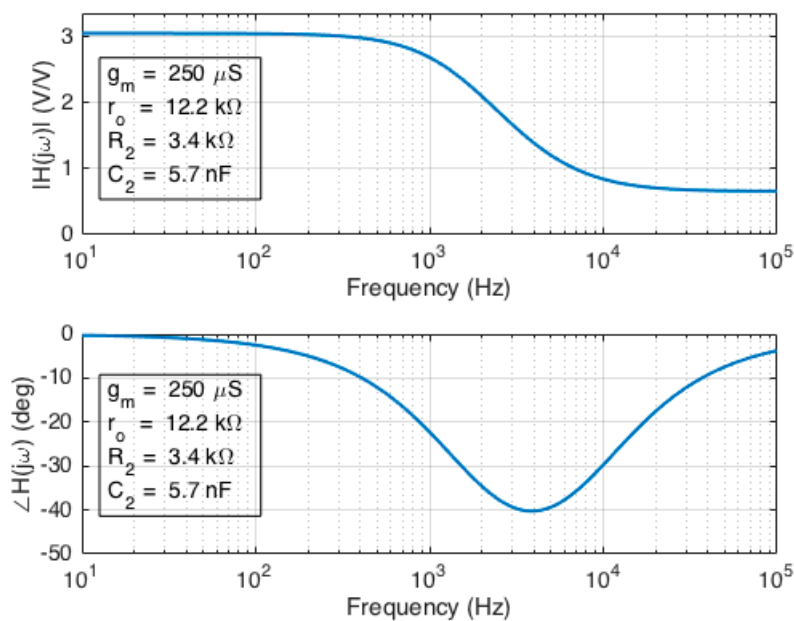


Figure 10. Bode plot depicting the intrinsic graphene EGFET magnitude and phase response.

The intrinsic magnitude response of the graphene EGFET is readily computed due to its similarity to the CS amplifier magnitude response (Equations (4) and (11)). Corresponding intrinsic phase response was computed using the extracted parameter values previously listed. A Bode plot for the intrinsic graphene EGFET magnitude and phase response is shown in Figure 10. The maximum intrinsic gain was found to be 3.1 V/V, the cutoff frequency was 1.9 kHz, and the transition frequency occurs at approximately 6.9 kHz. The corresponding equations for intrinsic graphene EGFET magnitude response and phase response are provided by Equations (12) and (13).

$$||A_v(j\omega)|| = g_m r_o \frac{\sqrt{1 + (\omega R_2 C_2)^2}}{\sqrt{1 + [\omega(R_2 + r_o)C_2]^2}} \quad (12)$$

$$\angle A_v(j\omega) = \frac{\tan^{-1}(\omega R_2 C_2)}{\tan^{-1}[\omega(R_2 + r_o)C_2]} \quad (13)$$

It is important to note that the CS amplifier small-signal equivalent circuit model neglects series resistance introduced by contact resistances. Previous work establishes the contact resistance at 6.3 k Ω μm for this graphene EGFET microfabrication process, which translates to a small additional series resistances of approximately 200 Ω per contact [35]. Gated contact resistances are accurately approximated as linear over a small voltage range, which is precisely the case for the small-signal V_{GS} modulation of 20 mVp-p. Including contact resistance in the CS amplifier small-signal equivalent circuit model results in the DC gain described by Equation (14).

$$\lim_{s \rightarrow 0} G_v(s) = - \frac{g_m R_D}{1 + g_m R_{C2} + \frac{R_{C1}}{r_o} + \frac{R_{C2}}{r_o} + \frac{R_D}{r_o}} \quad (14)$$

R_{C1} and R_{C2} represent the series resistances at the drain and source terminals, respectively. Because $g_m R_{C2} \ll 1$ and contact resistances R_{C1} and R_{C2} are much less than r_o , Equation (14) reduces to the DC gain previously described in Equation (11). Thus, contact resistances may be safely neglected in small-signal circuit models used to calculate amplifier gain and frequency response.

4.3. Performance Insights and Tradeoffs

Examination of parasitic capacitance C_2 provides further insight into the performance tradeoffs affecting graphene EGFET frequency response. Parasitic capacitance C_2 occurs between the drain and source. The extracted value of 5.7 nF for C_2 is too large to result from the graphene-electrolyte interface capacitance, which was previously approximated at 3 $\mu\text{F}/\text{cm}^2$ as detailed in Section 2.1. Given the channel dimensions, the graphene-electrolyte interface contributes approximately 13.5 pF of parasitic gate-drain capacitance.

Figure 11A shows that the drain contact lead accounts for the majority of the parasitic capacitance C_2 . Long contact leads are required to connect source and drain regions of the graphene EGFET, which are immersed in an electrolyte droplet, to dry contact pads that must be located further away (i.e., not submerged in electrolyte). A capacitance of 5.2 nF was extracted using EIS for the drain contact lead. This value is roughly equivalent (and consistent) with the 5.7 nF value of C_2 extracted using the newly developed small-signal model. Thus, contact lead capacitance greatly hampers graphene EGFET frequency response and motivates the development of smaller area leads.

Figure 11B shows the Au-electrolyte interface capacitance for the exposed metal of the drain region is approximately 7.6 $\mu\text{F}/\text{cm}^2$. This is roughly 150% larger than the graphene-electrolyte interface capacitance and contributes approximately 40 nF in parasitic capacitance given the dimensions of the exposed drain metal. This results in an important tradeoff. Recessed channel passivation is known to reduce series resistance and enhance graphene EGFET transconductance performance. Recessed passivation, however, also introduces a parasitic capacitance substantially greater than that of the graphene-electrolyte interface. This motivates tighter misalignment constraints to reduce

the metal exposure of the drain region. This finding also motivates development of self-aligned fabrication processes.

Lastly, attention should be drawn to the fact that R_2 introduces a pole in the graphene EGFET transfer function and ultimately controls the degree of gain degradation seen at high frequencies. R_2 stems from the solution resistance and therefore may be manipulated to a limited extent in many chemical and biological sensing applications. For instance, applications in which graphene EGFETs are employed as ion-selective chemical sensors (e.g., Na^+ , K^+ , Cl^- , Ca^{2+}) must necessarily vary ion concentrations and therefore solution resistance. Similarly, biological sensing applications provide little control over the cell medium composition and resulting solution resistance. This further motivates the reduction of parasitic capacitances, especially C_2 in order to enhance the frequency response of graphene EGFETs.

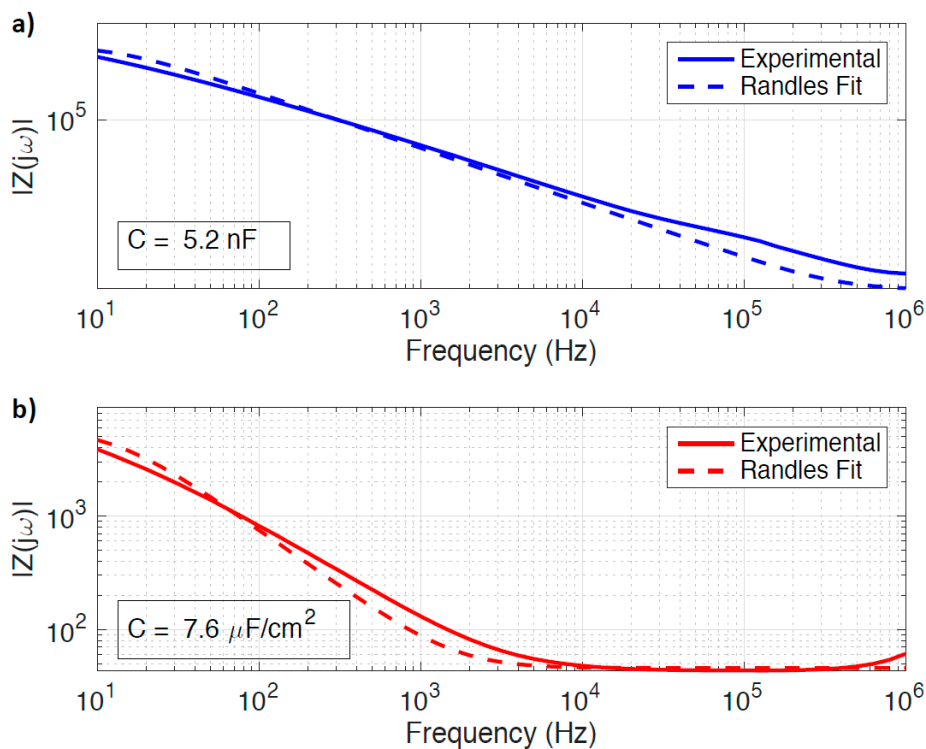


Figure 11. Electrochemical impedance spectroscopy (EIS) of (a) the drain contact lead with the graphene channel removed, and (b) the Au-electrolyte interface capacitance. Measurements were taken in aqueous 100 mM NaCl.

5. Conclusions

To the extent of our knowledge, this work develops the first small-signal frequency-dependent model for graphene electrolyte-gated field-effect transistors (EGFETs). This was accomplished by incorporating the Randles circuit into the small-signal field-effect transistor model. The newly developed small-signal model was shown to be capable of fitting the experimental data exceptionally well. Extracted parameters from the small-signal model were in good agreement with the parameters independently derived from DC characterization. Thus, two separate methods were employed to extract parameters, both of which yielded similar results. The small-signal model shows that graphene EGFETs contain a unique additional resistive element in series with the parasitic output capacitance. This added resistive element adds a zero to the transfer function causing the graphene EGFET magnitude response to level off at high frequencies. The presence of this additional pole was

experimentally verified. All of these reasons attest to the accuracy of the newly developed small-signal model for graphene EGFETs.

This work also employs graphene EGFETs as a common-source amplifier configuration. To the extent of our knowledge, this work demonstrates for the first time, the ability of graphene EGFETs to function effectively as amplifiers providing a gain of 3 V/V. This concretely demonstrates the utility of graphene EGFET sensors in chemical and biological applications.

The majority of the parasitic drain-source capacitance C_2 was found to stem from the access lead for the drain. Contributions of the graphene-electrolyte interface and exposed metal drain contact are measured and compared as well. This reveals an important tradeoff in graphene EGFET design. Recessed channel passivation reduces parasitic series resistance and enhances graphene EGFET transconductance. However, recessed channel passivation also necessarily exposes some portion of the source and drain contacts. This increases parasitic capacitances and diminishes the operating frequencies for graphene EGFETs. This motivates the development of self-aligned microfabrication processes for high-performance graphene EGFETs.

This work provides a number of insights into the frequency-dependent small-signal behavior of graphene electrolyte-gated field-effect transistors (EGFETs). As such, it marks a critical step in the development of high-speed chemical and biological sensors based using graphene EGFETs.

Acknowledgments: The authors would like to acknowledge grants from the Office of Naval Research (N00014-12-1-0959, N0014-16-1-2230), the NASA Langley Research Center (NNX14AH11A), and the Army Research Office's Institute for Soldier Nanotechnologies (W911NF-13-D-0001 T.O.9) for supporting this research.

Author Contributions: Charles Mackin conceived and designed the experiment for measuring the frequency response of graphene EGFETs. He also performed the graphene EGFET fabrication, data analysis, and wrote the paper. Charles Mackin and Elaine McVay jointly developed the frequency-dependent small signal model for graphene EGFETs and conducted experiments. Tomás Palacios advised and funded this work.

Conflicts of Interest: The authors declare no conflict of interest.

References

1. Geim, A.K.; Novoselov, K.S. The Rise of Graphene. *Nat. Mater.* **2007**, *6*, 183–191. [[CrossRef](#)] [[PubMed](#)]
2. Zhu, Y.; Murali, S.; Cai, W.; Li, X.; Suk, J.W.; Potts, J.R.; Ruoff, R.S. Graphene and Graphene Oxide: Synthesis, Properties, and Applications. *Adv. Mater.* **2010**, *22*, 3906–3924. [[CrossRef](#)] [[PubMed](#)]
3. Castro Neto, A.H.; Guinea, F.; Peres, N.M.R.; Novoselov, K.S.; Geim, A.K. The Electronic Properties of Graphene. *Rev. Mod. Phys.* **2009**, *81*, 109–162. [[CrossRef](#)]
4. Soldano, C.; Mahmood, A.; Dujardin, E. Production, Properties and Potential of Graphene. *Carbon N. Y.* **2010**, *48*, 2127–2150. [[CrossRef](#)]
5. Petrone, N.; Dean, C.R.; Meric, I.; van der Zande, A.M.; Huang, P.Y.; Wang, L.; Muller, D.; Shepard, K.L.; Hone, J. Chemical Vapor Deposition-Derived Graphene with Electrical Performance of Exfoliated Graphene. *Nano Lett.* **2012**, *12*, 2751–2756. [[CrossRef](#)] [[PubMed](#)]
6. Kim, K.S.; Zhao, Y.; Jang, H.; Lee, S.Y.; Kim, J.M.; Kim, K.S.; Ahn, J.-H.; Kim, P.; Choi, J.-Y.; Hong, B.H. Large-Scale Pattern Growth of Graphene Films for Stretchable Transparent Electrodes. *Nature* **2009**, *457*, 706–710. [[CrossRef](#)] [[PubMed](#)]
7. Bae, S.; Kim, H.; Lee, Y.; Xu, X.; Park, J.-S.; Zheng, Y.; Balakrishnan, J.; Lei, T.; Kim, H.R.; Song, Y.I.; et al. Roll-to-roll production of 30-inch graphene films for transparent electrodes. *Nat. Nanotechnol.* **2010**, *5*, 574–578. [[CrossRef](#)] [[PubMed](#)]
8. Stöberl, U.; Wurstbauer, U.; Wegscheider, W.; Weiss, D.; Eroms, J. Morphology and Flexibility of Graphene and Few-Layer Graphene on Various Substrates. *Appl. Phys. Lett.* **2008**, *93*, 51906. [[CrossRef](#)]
9. Xu, Y.; Wang, Y.; Liang, J.; Huang, Y.; Ma, Y.; Wan, X.; Chen, Y. A Hybrid Material of Graphene and Poly(3,4-ethyldioxythiophene) with High Conductivity, Flexibility, and Transparency. *Nano Res.* **2009**, *2*, 343–348. [[CrossRef](#)]
10. Lee, C.; Wei, X.; Kysar, J.W.; Hone, J. Measurement of the Elastic Properties and Intrinsic Strength of Monolayer Graphene. *Science* **2008**, *321*, 385–388. [[CrossRef](#)] [[PubMed](#)]

11. Zhou, M.; Zhai, Y.; Dong, S. Electrochemical Sensing and Biosensing Platform Based on Chemically Reduced Graphene Oxide. *Anal. Chem.* **2009**, *81*, 5603–5613. [[CrossRef](#)] [[PubMed](#)]
12. Elias, D.C.; Nair, R.R.; Mohiuddin, T.M.G.; Morozov, S.V.; Blake, P.; Halsall, M.P.; Ferrari, A.C.; Boukhvalov, D.W.; Katsnelson, M.I.; Geim, A.K.; et al. Control of Graphene's Properties by Reversible Hydrogenation: Evidence for Graphane. *Science* **2009**, *323*, 610–613. [[CrossRef](#)] [[PubMed](#)]
13. Shao, Y.; Wang, J.; Wu, H.; Liu, J.; Aksay, I.A.; Lin, Y. Graphene Based Electrochemical Sensors and Biosensors: A Review. *Electroanalysis* **2010**, *22*, 1027–1036. [[CrossRef](#)]
14. Brownson, D.A.C.; Kampouris, D.K.; Banks, C.E. Graphene Electrochemistry: Fundamental Concepts through to Prominent Applications. *Chem. Soc. Rev.* **2012**, *41*, 6944–6976. [[CrossRef](#)] [[PubMed](#)]
15. Ji, H.; Zhao, X.; Qiao, Z.; Jung, J.; Zhu, Y.; Lu, Y.; Zhang, L.L.; MacDonald, A.H.; Ruoff, R.S. Capacitance of Carbon-Based Electrical Double-Layer Capacitors. *Nat. Commun.* **2014**, *5*, 3317. [[CrossRef](#)] [[PubMed](#)]
16. Hess, L.H.; Seifert, M.; Garrido, J.A. Graphene Transistors for Bioelectronics. *Proc. IEEE* **2013**, *101*, 1780–1792. [[CrossRef](#)]
17. Hess, L.H.; Hauf, M.V.; Seifert, M.; Speck, F.; Seyller, T.; Stutzmann, M.; Sharp, I.D.; Garrido, J.A. High-Transconductance Graphene Solution-Gated Field Effect Transistors. *Appl. Phys. Lett.* **2011**, *99*, 33503. [[CrossRef](#)]
18. Xia, J.; Chen, F.; Li, J.; Tao, N. Measurement of the Quantum Capacitance of Graphene. *Nat. Nanotechnol.* **2009**, *4*, 505–509. [[CrossRef](#)] [[PubMed](#)]
19. Mackin, C.; Hess, L.H.; Hsu, A.; Song, Y.; Kong, J.; Garrido, J.A.; Palacios, T. A Current–Voltage Model for Graphene Electrolyte-Gated Field-Effect Transistors. *IEEE Trans. Electron Devices* **2014**, *61*, 3971–3977. [[CrossRef](#)]
20. Meric, I.; Han, M.Y.; Young, A.F.; Ozyilmaz, B.; Kim, P.; Shepard, K.L. Current Saturation in Zero-Bandgap, Top-Gated Graphene Field-Effect Transistors. *Nat. Nanotechnol.* **2008**, *3*, 654–659. [[CrossRef](#)] [[PubMed](#)]
21. Umoh, I.J.; Kazmierski, T.J.; Al-Hashimi, B.M. A Dual-Gate Graphene FET Model for Circuit Simulation—SPICE Implementation. *IEEE Tran. Nanotechnol.* **2013**, *12*, 427–435. [[CrossRef](#)]
22. Fregonese, S.; Magallo, M.; Maneux, C.; Happy, H.; Zimmer, T. Scalable Electrical Compact Modeling for Graphene FET Transistors. *IEEE Trans. Nanotechnol.* **2013**, *12*, 539–546. [[CrossRef](#)]
23. Ryzhii, V.; Ryzhii, M.; Satou, A.; Otsuji, T.; Kirova, N. Device Model for Graphene Bilayer Field-Effect Transistor. *J. Appl. Phys.* **2009**, *105*, 104510. [[CrossRef](#)]
24. Wang, H.; Member, S.; Hsu, A.; Kong, J.; Antoniadis, D.A.; Palacios, T. Compact Virtual-Source Current–Voltage Model for Top- and Back-Gated Graphene Field-Effect Transistors. *IEEE Trans. Electron Devices* **2011**, *58*, 1523–1533. [[CrossRef](#)]
25. Jiménez, D. Explicit Drain Current, Charge and Capacitance Model of Graphene Field-Effect Transistors. *IEEE Trans. Electron Devices* **2011**, *58*, 4377–4383. [[CrossRef](#)]
26. Hess, L.H.; Jansen, M.; Maybeck, V.; Hauf, M.V.; Seifert, M.; Stutzmann, M.; Sharp, I.D.; Offenhäusser, A.; Garrido, J.A. Graphene Transistor Arrays for Recording Action Potentials from Electrogenic Cells. *Adv. Mater.* **2011**, *23*, 5045–5049. [[CrossRef](#)] [[PubMed](#)]
27. Viswanathan, S.; Narayanan, T.N.; Aran, K.; Fink, K.D.; Paredes, J.; Ajayan, P.M.; Filipek, S.; Miszta, P.; Tekin, H.C.; Inci, F.; et al. Graphene-protein field effect biosensors: Glucose sensing. *Mater. Today* **2015**, *18*, 513–522. [[CrossRef](#)]
28. Distanto, C.; Leo, M.; Siciliano, P.; Persaud, K.C. On the study of feature extraction methods for an electronic nose. *Sens. Actuators B Chem.* **2002**, *87*, 274–288. [[CrossRef](#)]
29. Smyth, H.; Cozzolino, D. Instrumental methods (Spectroscopy, Electronic Nose, and Tongue) as tools to predict taste and aroma in beverages: Advantages and limitations. *Chem. Rev.* **2013**, *113*, 1429–1440. [[CrossRef](#)] [[PubMed](#)]
30. Manickam, A.; Johnson, C.A.; Kavusi, S.; Hassibi, A. Interface design for CMOS-integrated Electrochemical Impedance Spectroscopy (EIS) biosensors. *Sensors* **2012**, *12*, 14467–14488. [[CrossRef](#)] [[PubMed](#)]
31. Shannon, C.E. Communication in the Presence of Noise. *Proc. IRE* **1949**, *37*, 10–21. [[CrossRef](#)]
32. Kilic, M.; Bazant, M.; Ajdari, A. Steric Effects in the Dynamics of Electrolytes at Large Applied Voltages. I. Double-layer Charging. *Phys. Rev. E* **2007**, *75*, 21502. [[CrossRef](#)] [[PubMed](#)]
33. Schwierz, N.; Horinek, D.; Netz, R.R. Reversed Anionic Hofmeister Series: The Interplay of Surface Charge and Surface Polarity. *Langmuir ACS J. Surf. Colloids* **2010**, *26*, 7370–7379. [[CrossRef](#)] [[PubMed](#)]

34. Birner, S. Modeling of Semiconductor Nanostructures and Semiconductor—Electrolyte Interfaces. Ph.D. Thesis, Technical University Munich, Munich, Germany, 2011.
35. Mackin, C.; Palacios, T. Large-scale sensor systems based on graphene electrolyte-gated field-effect transistors. *Analyst* **2016**, *141*, 2704–2711. [[CrossRef](#)] [[PubMed](#)]
36. Martin, J.; Akerman, N.; Ulbricht, G.; Lohmann, T.; Smet, J.H.; von Klitzing, K.; Yacoby, A. Observation of Electron–Hole Puddles in Graphene using a Scanning Single-Electron Transistor. *Nat. Phys.* **2007**, *4*, 144–148. [[CrossRef](#)]
37. Adam, S.; Hwang, E.H.; Galitski, V.M.; Das Sarma, S. A Self-Consistent Theory for Graphene Transport. *Proc. Natl. Acad. Sci. USA* **2007**, *104*, 18392–18397. [[CrossRef](#)] [[PubMed](#)]
38. Franceschetti, D.R.; Macdonald, J.R. Small-Signal AC Response Theory for Electrochromic Thin Films. *J. Electrochem. Soc.* **1982**, *129*, 1754–1756. [[CrossRef](#)]
39. Janek, R.P.; Fawcett, W.R.; Ulman, A. Impedance Spectroscopy of Self-Assembled Monolayers on Au(111): Sodium Ferrocyanide Charge Transfer at Modified Electrodes. *Langmuir* **1998**, *14*, 3011–3018. [[CrossRef](#)]
40. Suk, J.W.; Kitt, A.; Magnuson, C.W.; Hao, Y.; Ahmed, S.; An, J.; Swan, A.K.; Goldberg, B.B.; Ruoff, R.S. Transfer of CVD-Grown Monolayer Graphene onto Arbitrary Substrates. *ACS Nano* **2011**, *5*, 6916–6924. [[CrossRef](#)] [[PubMed](#)]



© 2018 by the authors. Licensee MDPI, Basel, Switzerland. This article is an open access article distributed under the terms and conditions of the Creative Commons Attribution (CC BY) license (<http://creativecommons.org/licenses/by/4.0/>).