

Open

Original Article

Methylation and its role in the disposition of tanshinol, a cardiovascular carboxylic catechol from *Salvia miltiorrhiza* roots (Danshen)

Dan-dan TIAN^{1,2}, Wei-wei JIA¹, Xin-wei LIU¹, Dan-dan WANG³, Jun-hua LIU¹, Jia-jia DONG¹, Li LI¹, Fei-fei DU¹, Fang XU¹, Feng-qing WANG¹, Yan SUN¹, Yu-xing HUANG^{1,†}, Mei-juan LI¹, Li-hong HU¹, Yan ZHU³, Xiu-mei GAO³, Chuan LI^{1,2,4,*}, Jun-ling YANG^{1,2,*}

¹Shanghai Institute of Materia Medica, Chinese Academy of Sciences, Shanghai 201203, China; ²University of Chinese Academy of Sciences, Shanghai 201203, China; ³Tianjin University of Traditional Chinese Medicine, Tianjin 300193, China; ⁴Institute of Chinese Materia Medica, China Academy of Chinese Medical Sciences, Beijing 100700, China

Aim: Tanshinol is an important catechol in the antianginal herb *Salvia miltiorrhiza* roots (Danshen). This study aimed to characterize tanshinol methylation.

Methods: Metabolites of tanshinol were analyzed by liquid chromatography/mass spectrometry. Metabolism was assessed *in vitro* with rat and human enzymes. The major metabolites were synthesized for studying their interactions with drug metabolizing enzymes and transporters and their vasodilatory properties. Dose-related tanshinol methylation and its influences on tanshinol pharmacokinetics were also studied in rats.

Results: Methylation, preferentially in the 3-hydroxyl group, was the major metabolic pathway of tanshinol. In rats, tanshinol also underwent considerable 3-O-sulfation, which appeared to be poor in human liver. These metabolites were mainly eliminated *via* renal excretion, which involved tubular secretion mainly by organic anion transporter (OAT) 1. The methylated metabolites had no vasodilatory activity. Entacapone-impaired methylation did not considerably increase systemic exposure to tanshinol in rats. The saturation of tanshinol methylation in rat liver could be predicted from the Michaelis constant of tanshinol for catechol-O-methyltransferase (COMT). Tanshinol had low affinity for human COMT and OATs; its methylated metabolites also had low affinity for the transporters. Tanshinol and its major human metabolite (3-O-methyltanshinol) exhibited negligible inhibitory activities against human cytochrome P450 enzymes, organic anion transporting polypeptides 1B1/1B3, multidrug resistance protein 1, multidrug resistance-associated protein 2, and breast cancer resistance protein.

Conclusion: Tanshinol is mainly metabolized via methylation. Tanshinol and its major human metabolite have low potential for pharmacokinetic interactions with synthetic antianginal agents. This study will help define the risk of hyperhomocysteinemia related to tanshinol methylation.

Keywords: tanshinol; methylation; catechol-O-methyltransferase; herb-drug interaction; *Salvia miltiorrhiza* roots; Danshen

Acta Pharmacologica Sinica (2015) 36: 627–643; doi: 10.1038/aps.2015.20; published online 20 Apr 2015

Introduction

In China, *Salvia miltiorrhiza* roots (Danshen) are extensively used in the treatment of angina pectoris, because the emerging antianginal herbal therapy appears to have low incidence of side effects and may complement the conventional synthetic antianginal therapy to result in a more efficacious

strategy^[1–3]. Tanshinol (3,4-dihydroxyphenyl lactic acid) is a key compound in Danshen therapies and has been reported to have vasodilatory properties, to protect endothelial cells against homocysteine-induced injury, and to lower methionine-induced hyperhomocysteinemia in rats^[4–9]. The other salutary properties of tanshinol include a hypotensive effect, an antithrombotic effect, and myocardial protection against ischemia/reperfusion injury^[10–12]. An earlier pharmacokinetic (PK) study indicated that tanshinol, among pharmacologically active Danshen polyphenols, was the only compound to have considerable levels of systemic exposure in human subjects and in laboratory animals after oral administration of car-

[†] Visiting graduate student from Tianjin University of Traditional Chinese Medicine.

* To whom correspondence should be addressed.

E-mail chli@simm.ac.cn (Chuan LI);

yangjl@simm.ac.cn (Jun-ling YANG)

Received 2014-11-12 Accepted 2015-01-27

diotonic pills, a Danshen-containing herbal medicine^[13]. The other Danshen polyphenols were either poorly absorbed from the gastrointestinal tract or eliminated too rapidly; this led to their low plasma concentrations after dosing. In addition to its desirable antianginal and PK properties, tanshinol exhibited very little dose-related toxicity in rats, mice, and dogs^[14, 15].

Because of its catechol structure, tanshinol is expected to undergo catechol-*O*-methyltransferase (COMT)-mediated methylation. Although several methylated metabolites of tanshinol have been detected in rats after dosing tanshinol^[16], these metabolites are not fully defined in chemistry and pharmacokinetics. The methylation of xenobiotics with the catechol structure involves COMT-catalyzed transfer of a methyl group from *S*-adenosylmethionine (SAM) to the catechol hydroxyl group. This transfer produces *S*-adenosylhomocysteine (SAH), which can be converted to homocysteine by SAH hydrolase^[17]. An abnormally high blood concentration of homocysteine is recognized as a risk factor for cardiovascular diseases and neurodegenerative conditions^[18, 19]. This has raised concerns regarding untoward effects of the methylation of xenobiotics on the concentration of homocysteine in the blood^[20, 21]. Hyperhomocysteinemia caused by chronic levodopa therapy of Parkinson's disease is a typical example; it is primarily attributed to alteration in the extent of COMT-mediated levodopa methylation^[22–24].

The current study was designed to fully characterize the metabolism of tanshinol, particularly the COMT-mediated methylation, with respect to chemistry, enzyme kinetics, role in tanshinol disposition, and associated interspecies differences. The current study may facilitate a better definition of the safety of Danshen-based therapy and may improve the understanding of the endothelial protection properties of tanshinol. In addition, tanshinol-related herb-drug interaction potential was also assessed with tanshinol and its major human metabolite.

Materials and methods

Chemicals and materials

Tanshinol (sodiated form; purity, $\geq 98.0\%$) and norepinephrine bitartrate was obtained from the National Institutes for Food and Drug Control (Beijing, China). Ginsenoside Rg₁ and ginsenoside Rb₁ were obtained from Tauto Biotech (Shanghai, China). *Para*-aminohippuric acid, prostaglandin F_{2 α} , estrone-3-sulfate, sodium taurocholate, estradiol-17 β -*D*-glucuronide, probenecid, sulfasalazine, methotrexate, rifampin, verapamil hydrochloride, indomethacin, novobiocin, and acetylcholine chloride were obtained from Sigma-Aldrich (St Louis, MO, USA). Entacapone was obtained from Wuhan E-Ternity Technologies (Wuhan, China).

Rat liver cytosol (RLC), rat intestine cytosol (RIC), rat kidney cytosol (RKC), and rat liver microsomes (RLM) were prepared in-house by differential centrifugation. Pooled human liver cytosol (HLC), pooled human liver microsomes (HLM), and cytochrome P450 enzymes inhibitor screening kits for rapid identification of *in vitro* inhibitors of cDNA-expressed human CYP1A2, CYP2A6, CYP2B6, CYP2C8, CYP2C9, CYP2C19,

CYP2D6, and CYP3A4 were obtained from Corning Gentest (Woburn, MA, USA). cDNA-expressed human sulfotransferases SULT1A1, SULT1A3, SULT1B1, SULT1E1, and SULT2A1 were obtained from Sino Biological (Beijing, China). HEK-293 cells (American Type Culture Collection, Manassas, VA, USA) were transfected in-house for transient expression of human organic anion transporter (OAT) 1, OAT2, OAT3, OAT4, organic anion transporting polypeptide (OATP) 1B1, OATP1B3 and rat Oat1, Oat2, and Oat3. Inside-out membrane vesicles [5 mg protein/mL; prepared from insect cells expressing human multidrug resistance-associated protein (MRP) 1, MRP2, MRP3, MRP4, multidrug resistance protein (MDR) 1, and breast cancer resistance protein (BCRP) and rat Mrp1, Mrp2, Mrp4, and Bcrp] were purchased from Genomembrane (Kanazawa, Japan). *S*-adenosylmethionine (SAM), 3'-phosphoadenosine-5'-phosphosulfate (PAPS), uridine 5'-diphospho-glucuronic acid (UDPGA), and *tris*-hydroxymethyl-aminomethane (Tris-base) were purchased from Sigma-Aldrich. A reduced nicotinamide adenine dinucleotide phosphate (NADPH)-generating system was comprised of 1.3 mmol/L β -nicotinamide adenine dinucleotide phosphate, 3.3 mmol/L glucose-6-phosphate, 0.5 U/mL glucose-6-phosphate dehydrogenase and 3.3 mmol/L MgCl₂.

Experimental animals

All animal care and experimental procedures complied with the Guidance for Ethical Treatment of Laboratory Animals (the Ministry of Science and Technology of China, 2006). The experimental protocols were approved by the Institutional Animal Care and Use Committee at the Shanghai Institute of Materia Medica (Shanghai, China). Male Sprague-Dawley rats (230–270 g; Sino-British SIPPR/BK Laboratory Animal, Shanghai, China) were maintained in a unidirectional airflow room at 20–24°C and a relative humidity of 30%–70% with a 12-h light/dark cycle. The rats were given filtered tap water and commercial rat chow *ad libitum* and allowed to acclimate to the facilities and environment for three days before use. The rats received in-house femoral-artery-cannulation for blood sampling or bile-duct-cannulation for bile sampling^[25, 26]. After surgery, the rats were housed individually and allowed to regain their preoperative body weights before further use. During the bile collection period, a sodium taurocholate solution (pH 7.4) was infused into the duodena of bile-duct-cannulated rats at 1.5 mL/h. After use, the rats were euthanized with CO₂.

Rat PK studies

To detect *in vivo* metabolites of tanshinol, six femoral-artery-cannulated rats were individually placed in metabolic cages and randomly assigned to two groups of three rats each. The rats received either an intravenous (iv) bolus dose (through the tail veins) or an oral (*po*) dose (via gavage) of tanshinol at 5 mg/kg. Serial blood samples (~ 100 μ L; 0, 5, 15, and 30 min and 1, 2, 4, 6, 8, and 24 h after dosing) were collected and heparinized. The blood samples were centrifuged to prepare the plasma fractions. The urine and fecal samples were also col-

lected at -20°C before and 0–4, 4–8, and 8–24 h after dosing. In addition, six bile-duct-cannulated rats were randomly divided into two groups of three rats each and received either an iv bolus dose (through the tail veins) or a *po* dose (via gavage) of tanshinol at 5 mg/kg. The bile samples were collected before and 0–4, 4–8, and 8–24 h after dosing. The plasma samples of the same point in time from the same group were pooled and frozen at -70°C before analysis. The excretory samples were weighed, and the fecal samples were homogenized in 9 volumes of ice-cold saline to produce the fecal homogenate samples. All of the excretory samples of the same type from the same collection period and from the same group were combined and frozen at -70°C before analysis. The selected doses were those that were commonly used in metabolite detection for drug candidates at the corresponding authors' laboratory in Shanghai (China).

To characterize pharmacokinetics of 3-*O*-methyltanshinol (**M1**), 4-*O*-methyltanshinol (**M2**), and tanshinol-3-*O*-sulfate (**M7**) and to determine influence of methylation on the pharmacokinetics of unchanged tanshinol, femoral-artery-cannulated rats were randomly assigned to four groups of three rats each and received an iv bolus dose of tanshinol at 2 mg/kg (Groups 1 and 3) and a *po* dose of tanshinol at 10 mg/kg (Groups 2 and 4). The rats in Groups 3 and 4 were pretreated with entacapone (at a *po* dose of 30 mg/kg) 10 min before dosing tanshinol. Serial blood samples [150 µL; 0, 5, 15, and 30 min and 1, 2, 4, 6 (*po* tanshinol only), and 8 h (*po* tanshinol only) after dosing] were collected and heparinized. The blood samples were centrifuged to prepare the plasma fractions. The urine samples were also collected 0–4, 4–8, and 8–24 h after dosing. The plasma and urine samples were stored at -70°C until analysis. Dose selection was based on the following criteria: (1) the test dose for rats should be as similar to the human daily dose of tanshinol from clinically important Danshen preparations as possible and (2) concentrations of **M1** and **M7** in rat samples could be accurately measured to generate PK data. According to dose normalization by body surface area^[27], the iv dose of tanshinol at 2 mg/kg in the rat PK study was roughly equivalent to clinical daily dose of tanshinol from Danshen injection (Z33020177). The *po* dose of tanshinol at 10 mg/kg was approximately four times clinical daily dose of tanshinol from Danqi tablets (Z43020176).

Because the levodopa-induced hyperhomocysteinemia is mainly attributed to the alteration in extent of levodopa methylation, dosage adjustment was used to generate different methylation extents, which may permit identification of potential hazards for tanshinol in the follow-up study. Rat plasma, liver, and kidney samples were obtained from a recent single ascending dose study of tanshinol (iv; 2–200 mg/kg; equivalent to 1–100 times of the clinical daily dose of tanshinol from Danshen injection)^[28] and the tanshinol metabolites were measured. In brief, the rats were randomly divided into five groups (12 rats per group), and each group received an iv bolus dose of tanshinol at 2, 5, 15, 50, or 200 mg/kg through the tail veins. The rats were killed under isoflurane anesthesia by bleeding from the abdominal aorta at 5 and 30 min and 1

and 2 h after dosing (three rats per point in time). The blood samples were heparinized and centrifuged to prepare plasma fractions. The kidneys and livers were taken and homogenized.

Detection of tanshinol metabolites

A Waters Synapt G2 high definition time-of-flight mass spectrometer (TOF-MS) (Manchester, UK) was used to detect tanshinol metabolites. This spectrometer was interfaced via a LockSpray source with a Waters Acquity UPLC separation module (Milford, MA, USA). Liquid chromatographic (LC) separation was achieved on a 1.8-µm Waters Acquity UPLC HSS T3 column (100 mm×2.1 mm id; 40°C; Dublin, Ireland) with mobile phases, delivered at 0.5 mL/min, consisting of A) methanol/water (1:99, *v/v*; containing 20 mmol/L formic acid) and B) methanol/water (99:1, *v/v*; containing 20 mmol/L formic acid). A gradient program was used, which consisted of 0–11.0 min from 2% B to 15% B, 11.0–13.0 min at 80% B, and 13.0–18.0 min at 2% B. The mass spectrometer was operated in resolution mode, which gave a resolution power of approximately 20000. The LockSpray source worked in the negative ion mode. The mass spectrometer was externally calibrated over a range of *m/z* 50–1000 using a 5 mmol/L sodium formate solution at 20 µL/min, and mass shifts during acquisition were corrected using leucine enkephalin (*m/z* 236.1035 and 554.2615). MS^E data acquisition (in centroid mode, *m/z* 50–1000) was achieved using a trap collision energy of 3 V and a trap collision energy ramp of 15–35 V simultaneously and a scan time of 0.4 s. To support the metabolite detection, an Accelrys metabolite database (version 2012.1; Accelrys, Inc, San Diego, CA, USA) was used to collect prior knowledge of the likely biotransformation pathways of tanshinol. The metabolites of tanshinol were detected in a variety of rat samples and *in vitro* metabolism incubation samples. Sample preparation was conducted using a methanol-based protein precipitation at a precipitant-to-sample volume ratio of 3:1. After centrifugation, the supernatants were reduced to dryness by centrifugal evaporation under reduced pressure. The residues were reconstituted in 20% methanol for analysis.

Measurement of concentrations of tanshinol metabolites in biomatrices

A Thermo Scientific TSQ Vantage mass spectrometer (San Jose, CA, USA) was used to determine concentrations of 3-*O*-methyltanshinol (**M1**), 4-*O*-methyltanshinol (**M2**), tanshinol-3-*O*-sulfate (**M7**), and tanshinol in rat samples and in a variety of incubation samples. This spectrometer was interfaced via an HESI source with an Agilent Technologies 1290 infinity LC system (Waldbroen, Germany). LC separation for quantification assay was achieved on a Gemini 5-µm C18 column (50 mm×2.0 mm id; Torrance, CA, USA) with mobile phases, delivered at 0.3 mL/min, consisting of A) methanol/water (1:99, *v/v*; containing 20 mmol/L formic acid) and B) methanol/water (99:1, *v/v*; containing 20 mmol/L formic acid). A gradient program was used, which consisted of 0–7.0 min from 2% B to 50% B, 7.0–8.5 min from 50% B to 98% B,

8.5–8.6 min from 98% B to 2% B, 8.6–11.0 min at 2% B. The HESI source of the TSQ Vantage mass spectrometer worked in the negative ion mode. The precursor to product ion pairs for tandem mass spectrometry monitoring of **M1**, **M2**, **M7**, and tanshinol were m/z 211→134, 211→134, 277→197, and 197→135, respectively. Sample preparation was conducted using a methanol-based protein precipitation at a precipitant-to-sample volume ratio of 3:1. After centrifugation, the resulting supernatants were applied directly to analysis.

Syntheses of methylated and sulfated metabolites of tanshinol

To characterize the chemical structure of the detected major metabolites of tanshinol, methylated and sulfated products of tanshinol were synthesized and purified. The synthesis of 3-*O*-methyltanshinol is summarized in Figure 1A. In brief, a benzyl protective group was first introduced into vanillin using potassium carbonate and benzyl bromide. This caused **1** to form. Then, **1** reacted with chloroacetic acid methyl ester under catalysis of benzyltriethylammonium chloride to yield **2**. Epoxide cleavage of **2** was induced with boron trifluoride diethyl etherate to produce the ketone **3**, which was converted to the alcohol **4** by sodium borohydride. Sodium-hydroxide-based hydrolysis of **4** and the successive adjustment with hydrochloric acid gave the acid **5**. The benzyl protective group of **5** was removed using H₂ under catalysis of Pd/C to 3-*O*-methyltanshinol. The synthesis of 4-*O*-methyltanshinol was accomplished by a procedure that was similar to that for the synthesis of 3-*O*-methyltanshinol, except that isovanillin served as the starting material instead of vanillin. The synthesis of tanshinol-3-*O*-sulfate and tanshinol-4-*O*-sulfate is summarized in Figure 1B. In brief, tanshinol was dissolved in triethylamine/dichloromethane (2:5, *v/v*) followed by stepwise mixing with pyridine-sulfur trioxide. After stirring for 12 h,

the mixture was neutralized with 5% sodium bicarbonate solution and evaporated under reduced pressure. The resulting residue was dissolved in water and neutralized with sodium hydroxide.

The synthesized compounds were purified by HPLC, and their chemical structures were elucidated by ¹H-NMR. The purified synthetic compounds were used to characterize the tanshinol metabolites by LC/TOF-MS with respect to the accurate m/z and retention time.

In vitro metabolism studies of tanshinol

Pilot studies were performed to ensure that comparative capabilities of rat and human cytosolic COMTs were determined for tanshinol under linear metabolite formation conditions with respect to incubation time and protein concentration. Enzyme kinetics of tanshinol methylation was characterized in terms of Michaelis constant (K_m), maximum velocity (V_{max}), and intrinsic clearance (CL_{int}) by measuring formation of 3-*O*-methyltanshinol (**M1**) and 4-*O*-methyltanshinol (**M2**). The incubations contained 0.25 mg protein/mL RLC (RIC, RKC, or HLC), 4–1000 μmol/L tanshinol, 50 mmol/L Tris-HCl buffer (pH 7.4), 1 mmol/L dithiothreitol, 2 mmol/L MgCl₂, and 1 mmol/L SAM and were maintained for 10 min at 37°C in duplicate. Before the commencement of the reaction by adding tanshinol, the incubation mixture was preincubated for 3 min at 37°C. The COMT-mediated methylation of tanshinol (at 1 mmol/L) was further characterized with HLC, RLC, RIC, and RKC by inhibition with entacapone (0–400 nmol/L); half-maximal inhibitory concentrations (IC_{50}) were measured.

Sulfation, glucuronidation, and oxidation of tanshinol and sulfation, glucuronidation, and demethylation of 3-*O*-methyltanshinol (**M1**) and 4-*O*-methyltanshinol (**M2**) were characterized *in vitro* by incubation with the human and rat liver subcel-

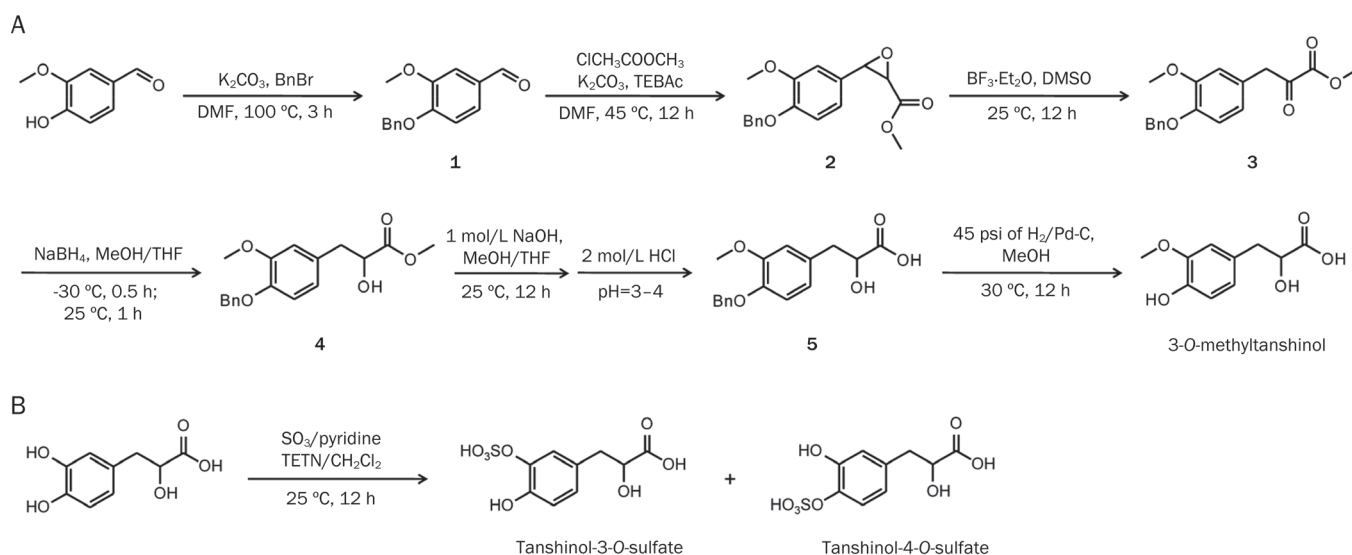


Figure 1. Chemical syntheses of 3-*O*-methyltanshinol (A) and tanshinol-3-*O*-sulfate/tanshinol-4-*O*-sulfate (B). Procedure for synthesis of 4-*O*-methyltanshinol was similar to that for the synthesis of 3-*O*-methyltanshinol, except that isovanillin served as the starting material instead of vanillin. BF₃·Et₂O, boron trifluoride diethyl etherate; BnBr, benzyl bromide; ClCH₂COOCH₃, chloroacetic acid methyl ester; DMF, dimethylformamide; DMSO, dimethyl sulfoxide; NaBH₄, sodium borohydride; TEBAC, benzyltriethylammonium chloride; TETN, triethylamine; THF, tetrahydrofuran.

lular preparations. The sulfation was mediated by SULTs in HLC and RLC fortified with PAPS. The glucuronidation was mediated by UDP-glucuronosyltransferases (UGTs) in HLM and RLM fortified with UDPGA. Cytochrome P450-mediated oxidation of tanshinol and demethylation of **M1** and **M2** were assessed using NADPH-fortified HLM and RLM. The details of the metabolic incubations have been described previously^[29, 30]. After the incubation, the metabolite formation was measured by liquid chromatography/time-of-flight mass spectrometry. The K_m , V_{max} , and CL_{int} values were determined for tanshinol sulfation under conditions of linear formation of tanshinol-3-*O*-sulfate (**M7**). The incubations contained 0.5 mg protein/mL RLC (RIC or HLC), 4–1000 $\mu\text{mol/L}$ tanshinol, 50 mmol/L Tris-HCl buffer (pH 7.4), 8 mmol/L dithiothreitol, 5 mmol/L MgCl_2 , and 1 mmol/L PAPS and were maintained for 60 min at 37°C in duplicate. cDNA-expressed human SULT1A1, SULT1A3, SULT1B1, SULT1E1, and SULT2A1 were assessed with respect to formation of **M7** by incubation for 120 min; the tanshinol concentration was 500 $\mu\text{mol/L}$. The K_m , V_{max} , and CL_{int} values were also determined for **M1** sulfation and **M2** sulfation under conditions of linear formation of 3-*O*-methyltanshinol sulfate (**M3**) and 4-*O*-methyltanshinol sulfate (**M4**), respectively. The incubations contained 0.5 mg protein/mL RLC (RIC or HLC), 4–5000 $\mu\text{mol/L}$ **M1** (or **M2**), 50 mmol/L Tris-HCl buffer (pH 7.4), 8 mmol/L dithiothreitol, 5 mmol/L MgCl_2 , and 1 mmol/L PAPS and were maintained for 60 min at 37°C in duplicate experiments.

Cellular and vesicular transport assessment of tanshinol metabolites

Cellular uptake methods for assessment of 3-*O*-methyltanshinol (**M1**), 4-*O*-methyltanshinol (**M2**), and tanshinol-3-*O*-sulfate (**M7**) are similar to those for assessment of tanshinol^[28]. In brief, sequence-verified rat Oat1, Oat2, and Oat3 and human OAT1, OAT2, OAT3, and OAT4/pcDNA3.1(+) constructs and empty vector were transiently transfected into HEK-293 cells with the lipofectamine 2000 transfection reagent according to the manufacturer's protocol. Uptake and inhibition studies were carried out in 24-well poly-*D*-lysine-coated plates with the cells 48 h after transfection. Before use, the transfected cells were functionally characterized with para-aminohippuric acid (a substrate for Oat1 and OAT1), prostaglandin $F_{2\alpha}$ (a substrate for Oat2 and OAT2), estrone-3-sulfate (a substrate for Oat3, OAT3, and OAT4), and probenecid (an inhibitor for the Oat and OAT transporters). Differential cellular uptake between the transfected cells (TC) and the mock cells (MC) was defined as net transport ratio ($\text{Transport}_{TC}/\text{Transport}_{MC}$ ratio), and a net transport ratio greater than three suggested a positive result. Kinetics of transporter-mediated cellular uptake of **M1**, **M2**, and **M7** were assessed with respect to K_m , V_{max} , and CL_{int} . Initially, the incubation time was optimized to ensure that the assessment was performed under linear cellular uptake conditions. The uptakes of **M1**, **M2**, and **M7** (39–5000 $\mu\text{mol/L}$) were determined in transfected cells or mock cells over an optimal 5-min period. The difference in amount of compound transported into the transfected cells

and the mock cells served as the transporter-dependent uptake for determination of transport kinetics. Membrane vesicles expressing one of the rat Mrp1, Mrp2, Mrp4, and Bcrp and human MRP1, MRP2, MRP3, MRP4, and BCRP were used for assessment of **M1**, **M2**, and **M7** by a rapid filtration method that was similar to the method used for tanshinol^[28]. A net transport ratio ($\text{Transport}_{ATP}/\text{Transport}_{AMP}$ ratio) of greater than two was considered positive for ATP-dependent transport.

Assessment of potential of tanshinol and its major human metabolite to inhibit human cytochrome P450 enzymes and human OATP1B1/3, MDR1, MRP2, and BCRP transporters

Inhibitory effects of tanshinol and 3-*O*-methyltanshinol (**M1**) on 3-cyano-7-ethoxycoumarin *O*-deethylation (CYP1A2 and CYP2C19), coumarin 7-hydroxylation (CYP2A6), 7-ethoxy-4-trifluoromethylcoumarin *O*-deethylation (CYP2B6), dibenzylfluorescein *O*-debenzylation (CYP2C8), 7-methoxy-4-trifluoromethylcoumarin *O*-demethylation (CYP2C9), 3-[2-(*N,N*-diethyl-*N*-methylamino)ethyl]-7-methoxy-4-methylcoumarin *O*-demethylation (CYP2D6), and 7-benzyloxy-trifluoromethylcoumarin *O*-debenzylation (CYP3A4) activities were evaluated using cDNA-expressed human P450 enzymes. As positive controls, the IC_{50} values of furafylline against CYP1A2; tranylcypramine against CYP2A6, CYP2B6, and CYP2C19; quercetin against CYP2C8; sulfaphenazole against CYP2C9; quinidine against CYP2D6; and ketoconazole against CYP3A4 were 2.9, 0.07, 5.9, 7.8, 9.5, 0.2, 0.005, and 0.007 $\mu\text{mol/L}$, respectively. The initial concentrations of the test compounds were 100 $\mu\text{mol/L}$. The IC_{50} value was not further determined when demonstrating <50% inhibition.

The inhibitory effects of tanshinol and 3-*O*-methyltanshinol (**M1**) on the activities of human OATP1B1 and OATP1B3 (mediating transport of estradiol-17 β -*D*-glucuronide) were also assessed with transiently transfected HEK-293 cells. The inhibitory effects on the activities of human MDR1 (mediating transport of ginsenoside R_g), human MRP2 (mediating transport of sulfasalazine), and human BCRP (mediating transport of methotrexate) were also assessed with corresponding membrane vesicles. The detailed methods have been described previously^[31]. The inhibitors of positive control included rifampin (OATP1B1), ginsenoside Rb_1 (OATP1B3), verapamil (MDR1), indomethacin (MRP2), and novobiocin (BCRP). The initial concentrations of the test compounds were 100 $\mu\text{mol/L}$. The IC_{50} value was not further determined when the compound demonstrated <50% inhibition.

Assessments of vasodilatory activities of tanshinol metabolites

After intraperitoneal pentobarbital (50 mg/kg) anesthesia, proximal descending thoracic aortae were isolated from rats (260–300 g), cleaned of adherent tissue, and cut into rings (3–4 mm). The aortic rings were endothelium-intact and suspended in ice-cold Krebs-Henseleit buffer (118 mmol/L NaCl, 4.7 mmol/L KCl, 1.2 mmol/L MgSO_4 , 1.2 mmol/L KH_2PO_4 , 1.5 mmol/L CaCl_2 , 25 mmol/L NaHCO_3 , 10 mmol/L *D*-glucose, and 0.05 mmol/L EDTA; pre-gassed with 95%

O₂/5% CO₂). Variations in isometric tension of the aortic rings were recorded under 2-g optimal resting tension using a Radnoti 159901A isometric force transducer (Radnoti LLC, Monrovia, CA, USA) and a PowerLab 8/30 (AD Instruments, Sydney, Australia). The aortic rings were placed between two stainless-steel stirrups that were immersed in Krebs-Henseleit buffer (37°C; contained in 20-mL organ chambers). The buffer was gassed continuously with 95% O₂/5% CO₂. After equilibrium for 60 min, the aortic rings were checked three times for a reproducible contractile response to 60 mmol/L KCl (each followed by wash in Krebs-Henseleit buffer). The integrity of the endothelium in each aortic ring was determined by an adequate relaxation response (>70%) to 10 μmol/L acetylcholine on the 1-μmol/L norepinephrine-precontracted tone. The qualified aortic rings were retreated with norepinephrine (1 μmol/L) to establish a stable contractile tone. Relaxation responses of 3-*O*-methyltanshinol (**M1**), 4-*O*-methyltanshinol (**M2**), and tanshinol-3-*O*-sulfate (**M7**) were measured by cumulative addition of these compounds individually into the organ chambers at 10-min intervals and compared with those of tanshinol.

Data processing

PK parameters were determined using non-compartmental analysis with a Thermo Kinetic software package (version 5.0; Philadelphia, PA, USA). The details have been described previously^[25]. The metabolic clearance via methylation (CL_{m-M}) was calculated by dividing the sum of *Cum.A_{e-U}* values of 3-*O*-methyltanshinol (**M1**) and 4-*O*-methyltanshinol (**M2**) by the AUC_{0-∞} of unchanged tanshinol. The metabolic clearance via sulfation (CL_{m-S}) was calculated by dividing the *Cum.A_{e-U}* of tanshinol-3-*O*-sulfate (**M7**) by the AUC_{0-∞} of unchanged tanshinol. GraFit software (version 5; Surrey, UK) was used to determine *K_m*, *V_{max}*, and IC₅₀ values^[30]. All data are expressed as the mean±standard deviation (SD). Statistical analysis was performed with IBM SPSS Statistics Software (version 19.0; Chicago, IL, USA). A value of *P*<0.05 was considered to be the

minimum level of statistical significance.

Results

Metabolism of tanshinol in rats and chemical structures of the major metabolites

Guided by the computational prediction of tanshinol metabolism, a total of eight possible metabolites of tanshinol, **M1**–**M8**, were detected in rat plasma, urine, and bile samples after a single iv or *po* dose of tanshinol at 5 mg/kg, but only **M1**–**M3**, and **M7** were detected in the fecal samples (Table 1). Neither these metabolite candidates nor unchanged tanshinol was detected in rat samples before dosing. LC/TOF-MS^E-based detection abundances of the metabolite candidates and unchanged tanshinol in plasma decreased rapidly after iv dosing. These metabolite candidates of tanshinol were detected during the first 4 h after dosing. After *po* dosing, the detection abundances of the metabolite candidates and unchanged tanshinol in plasma increased and then decreased, peaking at 0.5–1 h; these compounds remained detectable for 8 h. These PK behaviors suggested that the detected metabolite candidates were the metabolites of tanshinol in rats. The accurate molecular masses of **M1** and **M2** were consistent with those of the predicted methylated metabolites of tanshinol, **M3** and **M4** with the methylated sulfates of tanshinol, **M5** and **M6** with the methylated glucuronides of tanshinol, **M7** with the sulfate of tanshinol, and **M8** with the glucuronide of tanshinol. Neither an oxidized metabolite nor a decarboxylated metabolite of tanshinol was detected in any rat sample after dosing. The detected metabolites of tanshinol were predominantly recovered in the rat urine samples 0–8 h after dosing but were poorly detected in the bile samples. This suggested that renal excretion was their major route of elimination. Among the detected metabolites, **M1** and **M7** were two major circulating metabolites of tanshinol; they were also major urinary metabolites of tanshinol. These results suggested that methylation and sulfation were the major metabolic pathways of tanshinol in rats. The iv and *po* dosed tanshinols exhibited similar

Table 1. Detection of tanshinol metabolites in plasma, urine, bile, and fecal samples of rats given an iv or a *po* dose of tanshinol at 5 mg/kg.

Metabolite ID	iv				<i>po</i>			
	Plasma	Urine	Bile	Feces	Plasma	Urine	Bile	Feces
Unchanged tanshinol	+++	+++	±	±	+++	+	±	+
M1 (3- <i>O</i> -methyltanshinol)	++	+++	±	±	++	+	±	±
M2 (4- <i>O</i> -methyltanshinol)	±	+	±	±	±	±	±	±
M3 (3- <i>O</i> -methyltanshinol sulfate)	+	+	±	±	+	+	±	ND
M4 (4- <i>O</i> -methyltanshinol sulfate)	+	±	±	ND	±	±	±	ND
M5 (3- <i>O</i> -methyltanshinol glucuronide)	±	±	±	ND	±	±	±	ND
M6 (4- <i>O</i> -methyltanshinol glucuronide)	±	±	±	ND	±	±	±	ND
M7 (tanshinol-3- <i>O</i> -sulfate)	++	++	±	±	++	+	±	±
M8 (tanshinol glucuronide)	±	±	±	ND	+	+	±	ND

The relative abundance of plasma tanshinol metabolite was calculated by comparing its peak area-based AUC with that of unchanged plasma tanshinol from iv dosed tanshinol. The relative abundance of excretory tanshinol metabolite was calculated by comparing its peak area-based *Cum.Ae* with that of unchanged urinary tanshinol from iv dosed tanshinol. The symbols +++, ++, +, and ± denote 20%–200%, 5%–20%, 1%–5%, and <1%, respectively. ND, not detected.

metabolite profiles, except for **M7** showing an AUC_{iv} (**M7**)/ AUC_{iv} (tanshinol) ratio that was smaller than the AUC_{po} (**M7**)/ AUC_{po} (tanshinol) ratio.

As shown in Table 2, incubation of tanshinol with SAM-fortified RLC resulted in formation of **M1** and **M2**; incubation with PAPS-fortified RLC resulted in formation of **M7**. These *in vitro* metabolism data further confirmed the metabolic nature of these tanshinol metabolites detected in the rats. To elucidate the chemical structures of these tanshinol metabolites, 3-*O*-methyltanshinol, 4-*O*-methyltanshinol, tanshinol-3-*O*-sulfate, and tanshinol-4-*O*-sulfate were synthesized (Figure 1); the purified synthetic products were characterized by 1H -NMR and LC/TOF-MS^E (Table 3). By comparing the LC/TOF-

MS^E data of the synthetic products with those of the tanshinol metabolites that were detected in the rats, **M1**, **M2**, and **M7** were characterized as 3-*O*-methyltanshinol, 4-*O*-methyltanshinol, and tanshinol-3-*O*-sulfate, respectively. The other tanshinol metabolites **M3**–**M6** and **M8** were also characterized using *in vitro* metabolic reactions that were mediated by rat cytosolic or microsomal enzymes, and the results are shown in Table 2. Incubation of **M1** and **M2** with PAPS-fortified RLC resulted in formation of **M3** and **M4**, respectively; this indicated that **M3** and **M4** were 3-*O*-methyltanshinol sulfate and 4-*O*-methyltanshinol sulfate, respectively. Incubation of **M1**, **M2**, and tanshinol with UDPGA-fortified RLM resulted in formation of **M5**, **M6**, and **M8**, respectively, indicating that **M5**, **M6**, and

Table 2. *In vitro* formation of tanshinol metabolites by incubation with different cofactor-fortified subcellular fractions.

Substrate	Subcellular preparation	Cofactor	Met ID	LC/TOF-MS ^E data of <i>in vitro</i> generated metabolites				M_w (Da)	Molecular formula
				t_R (min)	$[M-H]^-$ (m/z)	Fragmentation profile (m/z)			
Tanshinol	-	-	Parent	3.96	197.0450	179.0341, 135.0447, 123.0449, 72.9931		198.0528	C ₉ H ₁₀ O ₅
Tanshinol	RLC/RKC/ RIC/HLC	SAM	M1	9.20	211.0609	193.0500, 165.0557, 150.0319, 134.0370		212.0685	C ₁₀ H ₁₂ O ₅
			M2	10.49	211.0609	193.0508, 165.0561, 150.0329, 134.0376		212.0685	C ₁₀ H ₁₂ O ₅
3- <i>O</i> -Methyltanshinol	RLC/HLC	PAPS	M3	6.02	291.0172	211.0607, 193.0493, 150.0311, 134.0364		292.0253	C ₁₀ H ₁₂ SO ₈
4- <i>O</i> -Methyltanshinol	RLC/HLC	PAPS	M4	6.63	291.0173	211.0614, 193.0508, 150.0318, 134.0374		292.0253	C ₁₀ H ₁₂ SO ₈
3- <i>O</i> -Methyltanshinol	RLM/HLM	UDPGA	M5	6.67	387.0911	211.0608, 193.0506, 165.0553, 134.0363		388.1006	C ₁₆ H ₂₀ O ₁₁
4- <i>O</i> -Methyltanshinol	RLM/HLM	UDPGA	M6	8.00	387.0912	211.0610, 193.0508, 150.0326, 134.0377		388.1006	C ₁₆ H ₂₀ O ₁₁
Tanshinol	RLC/RIC/HLC	PAPS	M7	3.74	277.0029	197.0453, 179.0346, 135.0446, 123.0444		278.0096	C ₉ H ₁₀ SO ₈
Tanshinol	RLM/HLM	UDPGA	M8	4.66	373.0775	197.0450, 179.0335, 135.0456		374.0849	C ₁₅ H ₁₈ O ₁₁

RLC; rat liver cytosol; RKC, rat kidney cytosol; RIC, rat intestine cytosol; HLC, human liver cytosol; RLM, rat liver microsomes; HLM, human liver microsomes; SAM, S-adenosylmethionine; PAPS, 3'-phosphoadenosine-5'-phosphosulfate; UDPGA, uridine 5'-diphospho-glucuronic acid; Met ID, metabolite identity; t_R , chromatographic retention time; M_w , molecular mass.

Table 3. 1H -NMR and LC/TOF-MS^E data of synthetic 3-*O*-methyltanshinol, 4-*O*-methyltanshinol, tanshinol-3-*O*-sulfate, and tanshinol-4-*O*-sulfate.

	3- <i>O</i> -Methyltanshinol	4- <i>O</i> -Methyltanshinol	Tanshinol-3- <i>O</i> -sulfate	Tanshinol-4- <i>O</i> -sulfate
1H NMR data [δ in ppm, multiplicity (J in Hz)]				
H-2	6.78 d (1.8)	6.74 d (1.8)	6.86 d (2.0)	7.12 s
H-5	6.63 d (8.1)	6.82 d (8.0)	7.16 d (8.2)	6.88 d (8.1)
H-6	6.59 dd (8.1, 1.8)	6.68 dd (8.0, 1.8)	6.74 d (8.2, 2.0)	6.72 d (8.1)
H-7a	2.41 dd (13.9, 8.8)	2.77 dd (13.8, 8.0)	2.75 dd (13.7, 8.0)	2.67 dd (14.1, 8.0)
H-7b	2.91 dd (13.9, 3.0)	2.96 dd (13.8, 4.4)	3.02 dd (13.7, 3.6)	2.91 dd (14.1, 4.0)
H-8	3.62 dd (8.8, 3.0)	4.26 dd (8.0, 4.4)	4.14 dd (8.0, 3.6)	4.06 dd (8.0, 4.0)
O-CH ₃	3.72 s	3.81 s	-	-
LC/TOF-MS ^E data				
t_R (min)	9.13	10.35	3.74 (3.87)	3.74 (3.47)
$[M-H]^-$ (m/z)	211.0608	211.0606	277.0017	277.0017
Fragmentation profile (m/z)	193.0488	193.0488	197.0411	197.0411
	150.0321	150.0324	179.0355	179.0355
	134.0361	134.0363	135.0436	135.0436

For 1H -NMR analysis, synthetic 3-*O*-methyltanshinol, 4-*O*-methyltanshinol, tanshinol-3-*O*-sulfate, and tanshinol-4-*O*-sulfate were dissolved in CD₃OD, CH₃OD, or DMSO-*d*₆. -, not applicable. t_R , chromatographic retention time. Chromatographic separation of tanshinol-3-*O*-sulfate and tanshinol-4-*O*-sulfate was achieved on a Shiseido Capcell C18 AQ S3 column (150 mm×2.0 mm id, Tokyo, Japan) with a mobile phase of acetonitrile/water (10:90, v/v; containing 3 mmol/L ammonium formate and 20 mmol/L formic acid) delivered isocratically at 0.3 mL/min.

Table 4. K_m , V_{max} , and CL_{int} data for methylation of tanshinol, for sulfation of tanshinol, 3-*O*-methyltanshinol, and 4-*O*-methyltanshinol, and those for cellular uptake of the tanshinol, 3-*O*-methyltanshinol, 4-*O*-methyltanshinol, and tanshinol-3-*O*-sulfate.

Enzyme or transporter		K_m ($\mu\text{mol/L}$)		V_{max} ($\text{pmol}\cdot\text{min}^{-1}\cdot\text{mg}^{-1}$ protein)			CL_{int} ($\mu\text{L}\cdot\text{min}^{-1}\cdot\text{mg}^{-1}$ protein)		
Methylation of tanshinol									
Substrate	Tanshinol		Tanshinol		Tanshinol		Tanshinol		
Metabolite	M1	M2	M1	M2	M1	M2	M1	M2	
RLC	520±40	577±83	3598±101	378±20	6.9	0.7			
RKC	428±65	488±59	1123±64	113±5	2.6	0.2			
RIC	423±31	428±64	281±8	26±2	0.7	0.06			
HLC	51±9	50±16	138±2	26±2	2.7	0.5			
Sulfation of tanshinol, M1 , and M2									
Substrate	Tanshinol	M1	M2	Tanshinol	M1	M2	Tanshinol	M1	M2
Metabolite	M7	M3	M4	M7	M3	M4	M7	M3	M4
RLC	315±19	816±246	612±23	532±11	37±4	2397±29	1.7	0.05	3.9
RIC	404±47	-	-	107±5	-	-	0.3	-	-
HLC	946±218	2714±775	15283±3805	36±4	111±16	785±156	0.04	0.04	0.05
OAT-mediated transport of M1 , M2 , and M7									
Substrate	M1	M2	M7	M1	M2	M7	M1	M2	M7
Rat Oat1	70±7	176±12	535±49	483±12	1509±29	1837±57	6.9	8.6	3.4
Rat Oat2	2698±380	4422±594	-	3479±242	393±28	-	1.3	0.09	-
Rat Oat3	318±34	1204±356	282±44	654±19	729±103	378±22	2.1	0.6	1.3
Human OAT1	219±20	193±25	268±19	1554±46	1263±46	899±19	7.1	6.5	3.4
Human OAT2	2854±365	5349±1048	2454±858	5031±324	1219±147	551±86	1.8	0.2	0.2
Human OAT3	871±20	429±22	-	162±2	46±11	-	0.2	0.1	-
Human OAT4	612±172	3173±577	1271±354	543±91	719±68	922±100	0.9	0.2	0.7

M1, 3-*O*-methyltanshinol; **M2**, 4-*O*-methyltanshinol; **M3**, 3-*O*-methyltanshinol sulfate; **M4**, 4-*O*-methyltanshinol sulfate; **M7**, tanshinol-3-*O*-sulfate. RKC did not have any catalytic activity towards the tanshinol sulfation. The K_m , V_{max} , and CL_{int} data of tanshinol were 117 ± 24 $\mu\text{mol/L}$, 599 ± 35 $\text{pmol}\cdot\text{min}^{-1}\cdot\text{mg}^{-1}$ protein, and 5.1 $\mu\text{L}\cdot\text{min}^{-1}\cdot\text{mg}^{-1}$ protein, respectively, for rat Oat1, 1207 ± 470 $\mu\text{mol/L}$, 1751 ± 297 $\text{pmol}\cdot\text{min}^{-1}\cdot\text{mg}^{-1}$ protein, and 1.5 $\mu\text{L}\cdot\text{min}^{-1}\cdot\text{mg}^{-1}$ protein, respectively, for rat Oat2, 1498 ± 225 $\mu\text{mol/L}$, 1030 ± 63 $\text{pmol}\cdot\text{min}^{-1}\cdot\text{mg}^{-1}$ protein, and 0.7 $\mu\text{L}\cdot\text{min}^{-1}\cdot\text{mg}^{-1}$ protein, respectively, for rat Oat3, 77 ± 9 $\mu\text{mol/L}$, 1079 ± 30 $\text{pmol}\cdot\text{min}^{-1}\cdot\text{mg}^{-1}$ protein, and 14 $\mu\text{L}\cdot\text{min}^{-1}\cdot\text{mg}^{-1}$ protein, respectively, for human OAT1, 859 ± 70 $\mu\text{mol/L}$, 4555 ± 146 $\text{pmol}\cdot\text{min}^{-1}\cdot\text{mg}^{-1}$ protein, and 5.3 $\mu\text{L}\cdot\text{min}^{-1}\cdot\text{mg}^{-1}$ protein, respectively, for human OAT2, 1888 ± 395 $\mu\text{mol/L}$, 182 ± 17 $\text{pmol}\cdot\text{min}^{-1}\cdot\text{mg}^{-1}$ protein, and 0.1 $\mu\text{L}\cdot\text{min}^{-1}\cdot\text{mg}^{-1}$ protein, respectively, for human OAT3, and 1880 ± 555 $\mu\text{mol/L}$, 169 ± 22 $\text{pmol}\cdot\text{min}^{-1}\cdot\text{mg}^{-1}$ protein, and 0.1 $\mu\text{L}\cdot\text{min}^{-1}\cdot\text{mg}^{-1}$ protein, respectively, for human OAT4^[28]. -, does not apply.

M8 were 3-*O*-methyltanshinol glucuronide, 4-*O*-methyltanshinol glucuronide, and tanshinol glucuronide, respectively. P450-mediated oxidation of tanshinol and demethylation of **M1** and **M2** were not detected after incubation with NADPH-fortified RLM. Figure 2 depicts the proposed metabolic pathways of tanshinol in rats. Supplementary Information Figure S1 shows the typical LC-MS chromatograms and MS^E spectra of the tanshinol metabolites.

Enzyme kinetics of methylation and other metabolisms of tanshinol

Methylation of tanshinol by incubation with SAM-fortified RLC was saturable with the K_m , V_{max} , and CL_{int} values for the formation of 3-*O*-methyltanshinol (**M1**) and 4-*O*-methyltanshinol (**M2**) are shown in Table 4. The rat hepatic COMT-mediated methylation resulted in a predominant formation of **M1** over **M2** with an **M1**-to-**M2** CL_{int} ratio of 9.9. Rat renal and intestinal COMTs also exhibited catalytic activities towards tanshinol methylation, but their activities were lower than that of their hepatic counterpart. **M1**-to-**M2** CL_{int} ratios were 13.0 for RKC and 11.6 for RIC. The CL_{int} values were ranked as

follows: RLC (100% for **M1** and 100% for **M2**)>RKC (38% and 29%)>RIC (10% and 9%). The differences in CL_{int} were primarily associated with V_{max} rather than K_m . Rat hepatic, renal, and intestinal COMT-mediated methylation of tanshinol could be inhibited by entacapone with IC_{50} values of 23.7, 25.7, and 24.6 nmol/L, respectively. Both RLC and RIC exhibited significant catalytic activity towards tanshinol sulfation, but RKC did not have any such catalytic activity; the K_m , V_{max} , and CL_{int} values are shown in Table 4. The CL_{int} of tanshinol sulfation by RIC was 18% of that of RLC. COMT and SULT have been reported to have concerted actions in metabolism of catechol drugs^[32,33]. Sulfation of 4-*O*-methyltanshinol and that of 3-*O*-methyltanshinol exhibited significantly different metabolic capabilities (CL_{int}), which were mainly attributed to the difference in V_{max} rather than K_m (Table 4). The CL_{int} values for 4-*O*-methyltanshinol sulfation and 3-*O*-methyltanshinol sulfation were 2.3 times and 3% of tanshinol sulfation, respectively. Because **M2** was a minor metabolite of tanshinol in rats and because the sulfation of **M1** was quite slow, neither 3-*O*-methyltanshinol sulfate (**M3**) nor 4-*O*-methyltanshinol sulfate (**M4**) was considerably detected in rats after dosing tanshinol (Table 1).

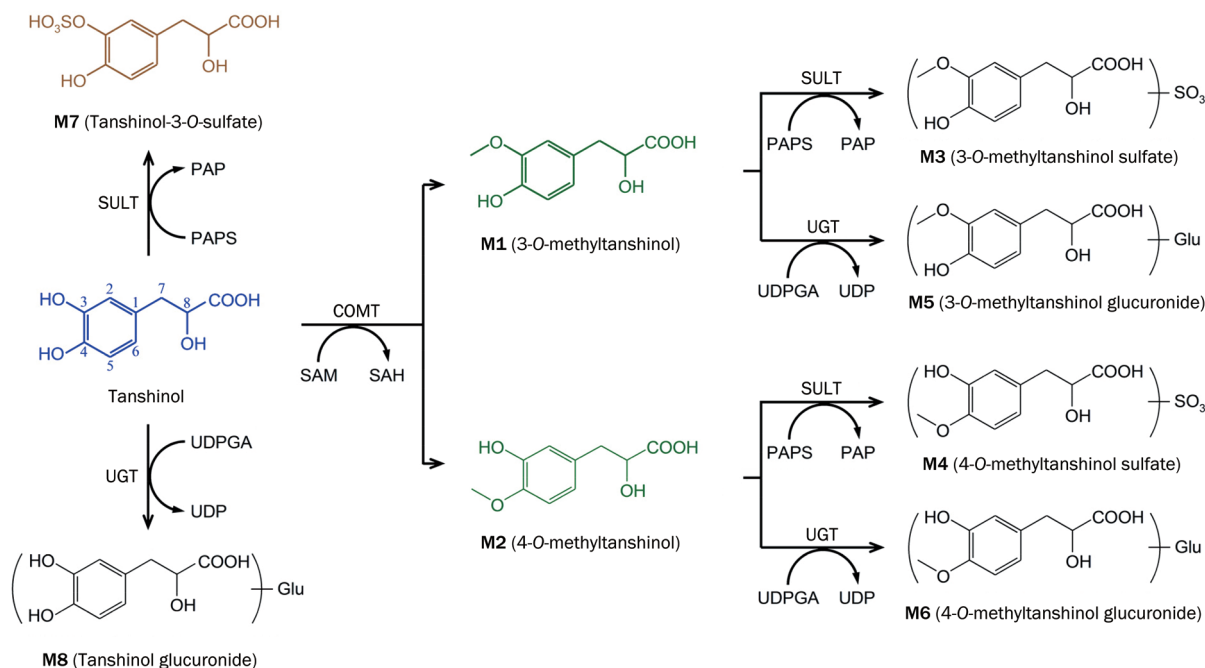


Figure 2. Proposed metabolic pathways of tanshinol in rats.

To facilitate extrapolation of the rat metabolic data of tanshinol into human situation, the metabolism of tanshinol was also assessed *in vitro* with human enzymes. Methylation of tanshinol by incubation with SAM-fortified HLC also resulted in a predominant formation of **M1** over **M2**; the K_m , V_{max} , and CL_{int} values are shown in Table 4. This process could be inhibited by entacapone with an IC_{50} of 8.5 nmol/L. Unlike RLC, HLC (fortified with PAPS) exhibited low sulfation activity towards tanshinol to form **M7**. The observed interspecies difference in CL_{int} was associated with lower affinity (K_m) and a lower V_{max} for HLC compared with those for RLC (Table 4). Because there is considerable variation in expression patterns of SULTs in different human tissues^[34], a variety of cDNA-expressed human SULT enzymes were tested. Three human SULTs exhibited catalytic activity towards tanshinol sulfation into **M7**; these SULTs were ranked as follows: SULT1A3 (100%; highly expressed in the human intestine but not in the liver) > SULT1A1 (30%) > SULT1B1 (18%). Sulfation of **M1** into **M3** and that of **M2** into **M4** were poorly mediated by human hepatic SULTs (Table 4).

Renal excretion, herb-drug interaction potential and vasodilatory activities of tanshinol metabolites

Overall mean recovery of iv dosed tanshinol in rats was 88.0% in urine [including 59.6% as unchanged tanshinol, 17.8% as 3-*O*-methyltanshinol (**M1**), 0.9% as 4-*O*-methyltanshinol (**M2**), and 9.7% as tanshinol-3-*O*-sulfate (**M7**)] and 0.2% in bile (including 0.01% as unchanged tanshinol, 0.14% as **M1**, and negligible **M2** and **M7**) (Table 5). The CL_R values of **M1**, **M2**, and **M7** (3.6–4.1 L·h⁻¹·kg⁻¹) were slightly greater than that of unchanged tanshinol (2.0 L·h⁻¹·kg⁻¹). The fractions of plasma

protein-unbound **M1**, **M2**, **M7**, and tanshinol (f_u) were 83%, 72%, 32%, and 98%, respectively, which were measured by a rapid ultrafiltration method^[35]. Like tanshinol, the renal excretion of **M1**, **M2**, and **M7** in rats mainly involved tubular secretion, rather than glomerular filtration. This was indicated by their $CL_R/(GFR \times f_u)$ ratios, which were 19, 22, and 42, respectively. Because of the involvement of active tubular secretion, the cellular and vesicular uptakes of **M1**, **M2**, and **M7** by renal transporters were evaluated. Similar to tanshinol, **M1** and **M2** were transported by rat Oat1, and the K_m values are shown in Table 4. Rat Oat3 also exhibited transport activities towards **M1** and **M2**, but with lower affinity than that of Oat 1; the K_m values of **M1** and **M2** for rat Oat2 were even greater. Both Oat1 and Oat3 mediated cellular uptake of **M7**; Oat1 exhibited greater K_m and V_{max} than Oat3 (Table 4). Oat2 did not exhibit any considerable transport activity towards **M7**. Similar to tanshinol, rat Mrp2, Mrp4, and Bcrp did not mediate any significant vesicular uptake of **M1**, **M2**, and **M7**. In addition to the rat renal transporters, human renal transporters were also evaluated with respect to their cellular and vesicular uptake of **M1**, **M2**, and **M7**; the transporter kinetics data are shown in Table 4. These tanshinol metabolites were considerably transported by human OAT1; human OAT2 and OAT4 also exhibited cellular uptake activities but with lower affinity; human OAT3 exhibited cellular uptake activities only towards **M1** and **M2**. Human MRP1, MRP2, MRP3, MRP4, and BCRP did not mediate any significant transport of **M1**, **M2**, and **M7**.

Recently, efforts have been directed at evaluating the potential inhibitory effects of both parent drugs and their metabolites on the common drug metabolizing enzymes and transporters and the contribution of metabolites to *in vivo* drug-

Table 5. Comparative plasma pharmacokinetics, renal excretion, and biliary excretion of 3-O-methyltanshinol (**M1**), 4-O-methyltanshinol (**M2**), tanshinol-3-O-sulfate (**M7**), and unchanged tanshinol after an iv bolus or a *po* dose of tanshinol in rats not treated with entacapone and in rats treated with entacapone (*po*, 30 mg/kg).

PK parameter	Rats not treated with entacapone			Tanshinol	Rats treated with entacapone			Tanshinol
	M1	M2	M7		M1	M2	M7	
An iv dose of tanshinol at 2 mg/kg								
Plasma $C_{5\text{min}}$ ($\mu\text{mol/L}$)	1.14±0.12	0.06±0.003	0.80±0.03	11.0±0.29	-	-	2.15±0.33 ^b	13.1±0.21 ^b
Plasma $AUC_{0-\infty}$ ($\text{h}\mu\text{mol/L}$)	0.40±0.04	0.02±0.003	0.25±0.04	2.72±0.28	-	-	1.01±0.19 ^b	3.65±0.21 ^b
Plasma MRT (h)	0.32±0.01	0.24±0.02	0.29±0.03	0.15±0.004	-	-	0.38±0.01 ^b	0.19±0.02 ^b
Plasma $t_{1/2}$ (h)	0.18±0.02	0.17±0.01	0.17±0.02	0.14±0.02	-	-	0.21±0.02 ^b	0.17±0.01
$CL_{\text{tot},p}$ ($\text{L}\cdot\text{h}^{-1}\cdot\text{kg}^{-1}$)	-	-	-	3.35±0.36	-	-	-	2.49±0.15 ^b
V_{SS} (L/kg)	-	-	-	0.52±0.04	-	-	-	0.47±0.02
CL_{R} ($\text{L}\cdot\text{h}^{-1}\cdot\text{kg}^{-1}$)	4.13±0.64	4.12±0.93	3.55±0.74	2.03±0.37	-	-	2.62±0.09	1.71±0.23
$CL_{\text{m-M}}$ ($\text{L}\cdot\text{h}^{-1}\cdot\text{kg}^{-1}$)	-	-	-	0.63±0.10	-	-	-	0.01±0.00 ^b
$CL_{\text{m-S}}$ ($\text{L}\cdot\text{h}^{-1}\cdot\text{kg}^{-1}$)	-	-	-	0.33±0.06	-	-	-	0.73±0.11 ^b
$f_{\text{e-U}}$ (%)	17.8±1.1	0.9±0.1	9.7±2.0	59.6±5.6	0.4±0.1 ^b	0.02±0.00 ^b	29.0±5.7 ^b	67.7±6.2
$f_{\text{e-B}}$ (%)	0.14±0.06	BLQ	BLQ	0.01±0.00	-	-	-	-
A <i>po</i> dose of tanshinol at 10 mg/kg								
Plasma $AUC_{0-\infty}$ ($\text{h}\mu\text{mol/L}$)	1.11±0.44	0.04±0.02	1.44±0.22	3.83±1.39	BLQ	BLQ	3.09±0.34 ^b	5.48±0.19
Plasma MRT (h)	2.20±0.32	2.28±0.72	2.07±0.75	2.01±0.73	-	-	1.31±0.26	1.88±0.28
Plasma $t_{1/2}$ (h)	1.19±0.54	1.18±0.69	1.18±0.40	1.15±0.38	-	-	1.10±0.17	1.06±0.24
$f_{\text{e-U}}$ (%)	7.9±2.2	0.3±0.1	8.7±0.2	12.8±1.8	0.7±0.1 ^b	BLQ	15.6±2.7 ^b	17.7±1.5 ^b
Plasma F (%)	-	-	-	28	-	-	-	30

$C_{5\text{min}}$, concentration at 5 min after dosing; $AUC_{0-\infty}$, area under the plasma concentration-time curve from zero to infinity; $CL_{\text{m-M}}$, methylation-based metabolic clearance; $CL_{\text{m-S}}$, sulfation-based metabolic clearance; CL_{R} , renal clearance; $CL_{\text{tot},p}$, total plasma clearance; F, oral bioavailability; $f_{\text{e-B}}$, fraction of dose excreted into bile; $f_{\text{e-U}}$, fraction of dose excreted into urine; MRT, mean residence time; $t_{1/2}$, elimination half-life; V_{SS} , apparent volume of distribution at steady state. No obvious effect of tanshinol on plasma pharmacokinetics or disposition of entacapone was observed. The data represent mean±SD ($n=3$). ^b $P<0.05$ when compared with the rat group not treated with entacapone. The bile samples were obtained from the rats receiving an iv bolus dose of tanshinol at 5 mg/kg. -, not applicable. BLQ, below the lower limit of quantification.

drug interactions^[36-40]. The use of Danshen therapy is prevalent among patients with angina pectoris who are also taking synthetic antianginal agents, the disposition of which often involves cytochrome P450 enzymes and many hepatic transporters^[41-43]. Accordingly, tanshinol and its major circulating metabolite 3-O-methyltanshinol (**M1**) were assessed with respect to their inhibitory potential against human cytochrome P450 enzymes (including CYP1A2, CYP2A6, CYP2B6, CYP2C8, CYP2C9, CYP2C19, CYP2D6, and CYP3A4) and human transporters (OATP1B1, OATP1B3, BCRP, MRP2, and MDR1). As a result, tanshinol and **M1** (100 $\mu\text{mol/L}$ for each) did not exhibit any significant *in vitro* inhibitory activity towards these drug-metabolizing enzymes and transporters, except for CYP2C8, CYP2C9, and CYP2C19. Tanshinol was found to have weak *in vitro* inhibitory activities against CYP2C8, CYP2C9, and CYP2C19 with IC_{50} values of 34, 99, and 67 $\mu\text{mol/L}$, respectively.

Methylation and sulfation are often pathways for inactivation of xenobiotics^[44, 45]. Unlike tanshinol, 3-O-methyltanshinol (**M1**) and 4-O-methyltanshinol (**M2**) were found to have no vasodilatory property on rat thoracic arteries that were precontracted by norepinephrine (Figure 3). Tanshinol-3-O-sulfate (**M7**) exhibited only a weak vasodilatory activity. Although more pharmacological assessments are warranted

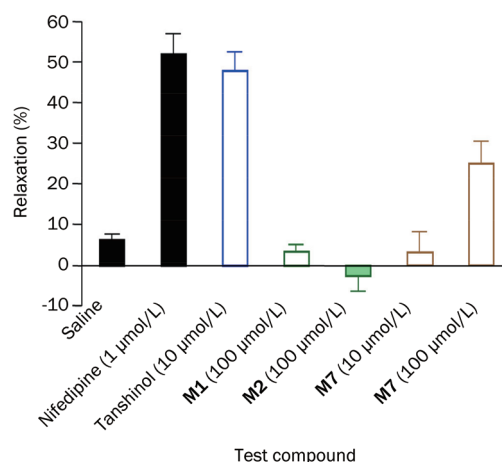


Figure 3. Vasodilatory effects of 3-O-methyltanshinol (**M1**), 4-O-methyltanshinol (**M2**), tanshinol-3-O-sulfate (**M7**), and unchanged tanshinol on norepinephrine-induced contraction of rat thoracic arteries. Each measure represents the mean value of four or five technical replicates.

for these tanshinol metabolites, the overall antianginal effect of tanshinol might be attributed primarily to unchanged tanshinol.

Influence of methylation on systemic exposure to tanshinol and dose-related saturation of tanshinol methylation in rats

Figure 4 shows the mean plasma concentrations of 3-*O*-methyltanshinol (**M1**), 4-*O*-methyltanshinol (**M2**), tanshinol-3-*O*-sulfate (**M7**), and unchanged tanshinol over time after an iv bolus dose (2 mg/kg) or a *po* dose (10 mg/kg) of tanshinol in rats. Plasma PK parameters and associated urinary and biliary excretion data of the tanshinol metabolites are summarized in Table 5. The plasma concentrations of **M1**, **M2**, and **M7** changed concurrently with those of tanshinol after dosing. These metabolites were eliminated rapidly with mean $t_{1/2}$ values of 0.17–0.18 h after iv dosing. Mean plasma $AUC_{0-\infty}$ values of **M1**, **M2**, and **M7** were 14.7%, 0.7%, and 9.2% of that of unchanged tanshinol, respectively, after iv dosing and 29.0%, 1.0%, and 37.6%, respectively, after *po* dosing, suggesting that the intestine was probably a considerable site of tanshinol metabolism, particularly for sulfation. After iv dosing, mean apparent metabolic clearance of tanshinol via methylation (CL_{m-m}) and that via sulfation (CL_{m-s}) accounted for 18.8% and 9.9% of the plasma total clearance ($CL_{tot,p}$) of tanshinol, respectively.

Drug methylation can be substantially impaired *in vivo* by COMT inhibitors^[46]. To determine the influence of COMT-mediated methylation on systemic exposure to unchanged tanshinol, rats were treated with oral entacapone (30 mg/kg), a potent COMT-inhibitor, to impair the methylation of tanshinol. As shown in Figure 4 and Table 5, entacapone treatment caused plasma 3-*O*-methyltanshinol (**M1**) and 4-*O*-methyltanshinol (**M2**) to be very little or not to be detected after an iv bolus dose (2 mg/kg) or a *po* dose (10 mg/kg) of tanshinol. Consistent with these systemic exposure data, the mean fraction of dose excreted into urine (f_{e-U}) as **M1** was significantly lower in the rats treated with entacapone than in the same rats not treated with entacapone, demonstrating 0.4% versus 17.8% for iv dosing ($P=0.001$) and 0.7% versus 7.9% for *po* dosing ($P=0.03$). Urinary **M2** was not detected after entacapone treatment, except for the first urine sample of 0–4 h after iv dosing. The metabolic clearance of tanshinol via methylation (CL_{m-m}) decreased from 0.63 to 0.01 $L \cdot h^{-1} \cdot kg^{-1}$ after entacapone treatment ($P=0.00004$). Although entacapone impaired the methylation of tanshinol in rats, it did not significantly enhance rat systemic exposure to tanshinol. This was indicated by mean $AUC_{0-\infty}$ values of tanshinol in rats treated with entacapone, which were only 1.34-fold (for iv dosing; $P=0.01$) and 1.43-fold (for *po* dosing; $P=0.1$) of the respective values of tanshinol in the same rats not treated with entacapone. The limited influence of entacapone treatment on the systemic exposure to unchanged tanshinol appeared to result from considerable compensation by the SULT-mediated sulfation to form tanshinol-3-*O*-sulfate (**M7**) and the renal excretion of unchanged tanshinol. This was indicated by mean plasma $AUC_{0-\infty}$ values of **M7**, which were increased 4.0-fold (for iv dosing; $P=0.01$) and 2.1-fold (for *po* dosing; $P=0.001$) by entacapone treatment. Consistently, the urinary f_{e-U} values of **M7** in rats treated with entacapone were 3.0-fold (for iv dosing; $P=0.005$) and 1.8-fold (for *po* dosing; $P=0.01$) greater than those of the same rats not

treated with entacapone. Entacapone treatment also resulted in increases of f_{e-U} of tanshinol from 59.6% to 67.7% (for iv dosing; $P=0.1$) and from 12.8% to 17.7% (for *po* dosing; $P=0.02$).

Figure 5 shows dose-dependent levels of systemic, liver, and kidney exposure to 3-*O*-methyltanshinol (**M1**), 4-*O*-methyltanshinol (**M2**), tanshinol-3-*O*-sulfate (**M7**), and unchanged tanshinol in rats. Over the iv dose range 2–200 mg/kg, metabolite-to-tanshinol ratios in plasma $C_{5 \min}$ were 0.05–0.1 for **M1** and **M7**, and such ratios in plasma $AUC_{0-\infty}$ were 0.1–0.2. Unlike unchanged tanshinol, **M1** and **M7** exhibited higher levels of liver exposure than the respective levels of systemic exposure. Over the iv dose range 2–50 mg/kg, metabolite-to-tanshinol ratios in liver $C_{5 \min}$ were 5.6–10.5 and 3.3–6.6 for **M1** and **M7**, respectively; such ratios in liver $AUC_{0-\infty}$ were 4.3–7.8 and 2.3–4.4, respectively. However, at the iv dose 200 mg/kg, the liver concentration of unchanged tanshinol increased steeply to levels that were significantly higher than the liver concentrations of **M1** and **M7**, and the metabolite-to-tanshinol ratios in $C_{5 \min}$ and in $AUC_{0-\infty}$ were <1.0 for **M1** and **M7**. This result indicated that tanshinol methylation and sulfation in the rat liver became saturated as the dose increased to 200 mg/kg. Like unchanged tanshinol, **M1** and **M7** exhibited higher levels of kidney exposure than the respective levels of systemic exposure. Metabolite-to-tanshinol ratios in kidney $C_{5 \min}$ and $AUC_{0-\infty}$ for **M1** decreased from 0.60 to 0.08 and from 0.98 to 0.17, respectively, as the dose increased from 2 to 200 mg/kg. Such ratios in kidney $C_{5 \min}$ and $AUC_{0-\infty}$ for **M7** decreased from 0.21 to 0.05 and from 0.30 to 0.08, respectively, indicating that the levels of kidney exposure to **M7** were lower than the respective levels of kidney exposure to **M1**. The plasma, liver, kidney $C_{5 \min}$ and $AUC_{0-\infty}$ of **M2** were 1%–7% of those of **M1**. The dose-dependent levels of systemic, liver, and kidney exposure to **M1**, **M2**, **M7**, and unchanged tanshinol are summarized in Table 6.

Discussion

Tanshinol is a key compound in antianginal Danshen therapy because it had desirable antianginal and PK properties^[4–13]. The current study and a recent study by Jia *et al*^[28] revealed how tanshinol was eliminated at the molecular level; the major elimination processes were renal excretion and methylation. The renal excretion of tanshinol involved active tubular secretion and glomerular filtration with $CL_R/(GFR \times f_u)$ values of 5.0 for human subjects and 5.6 for rats. The tubular secretion of tanshinol consisted of the basolateral uptake from blood, primarily by human OAT1 and rat Oat1, and the subsequent luminal efflux into urine, mainly by passive diffusion. Human basolateral OAT2/OAT3 and rat basolateral Oat3 also played considerable roles in the tubular secretion when tanshinol concentration in blood was high. Because of its catechol structure, tanshinol was also eliminated by COMT-mediated methylation. Zhang *et al* reported four methylated metabolites that were detected in rat plasma and urine after dosing tanshinol^[16]. However, in the current study, only 3-*O*-methyltanshinol (**M1**) and 4-*O*-methyltanshinol (**M2**) were detected. To confirm whether any other methylated metabolites of tanshinol were

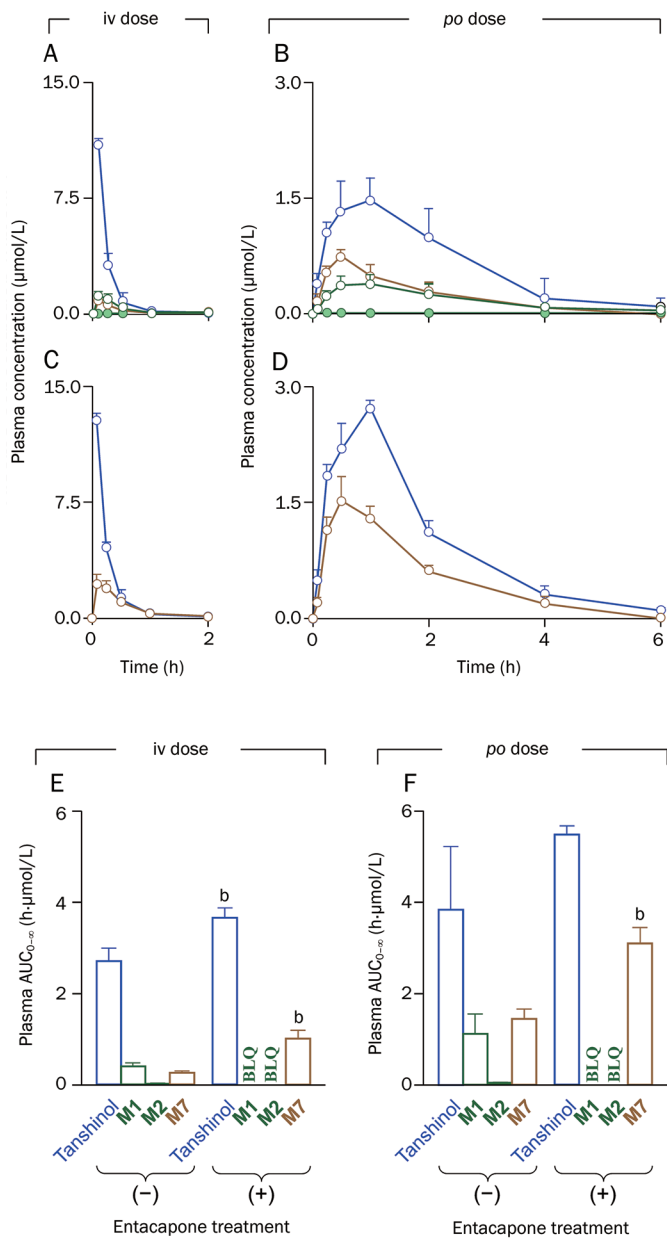


Figure 4. Plasma concentrations of 3-*O*-methyltanshinol (**M1**; green curves/open circles), 4-*O*-methyltanshinol (**M2**; green curves/solid circles), tanshinol-3-*O*-sulfate (**M7**; brown curves), and unchanged tanshinol (blue curves) over time after an iv (2 mg/kg) and a *po* dose of tanshinol (10 mg/kg) in rats not treated with (A and B) or treated with oral entacapone at 30 mg/kg (C and D). Panels E and F show comparative plasma AUC_{0-∞} of **M1** (green open bars), **M2** (green solid bars), **M7** (brown bars), and unchanged tanshinol (blue bars) in rats not treated with entacapone and rats treated with entacapone. BLQ, below the lower limit of quantification. The data represent means and standard deviations ($n=3$). ^b $P<0.05$ compared with the rat group that was not treated with entacapone.

formed in the rats, 8-*O*-methyltanshinol and tanshinol methyl ester were synthesized. However, these two synthesized compounds were not detected in any rat sample after the *iv* or *po* administration of tanshinol (data not shown). Also in human

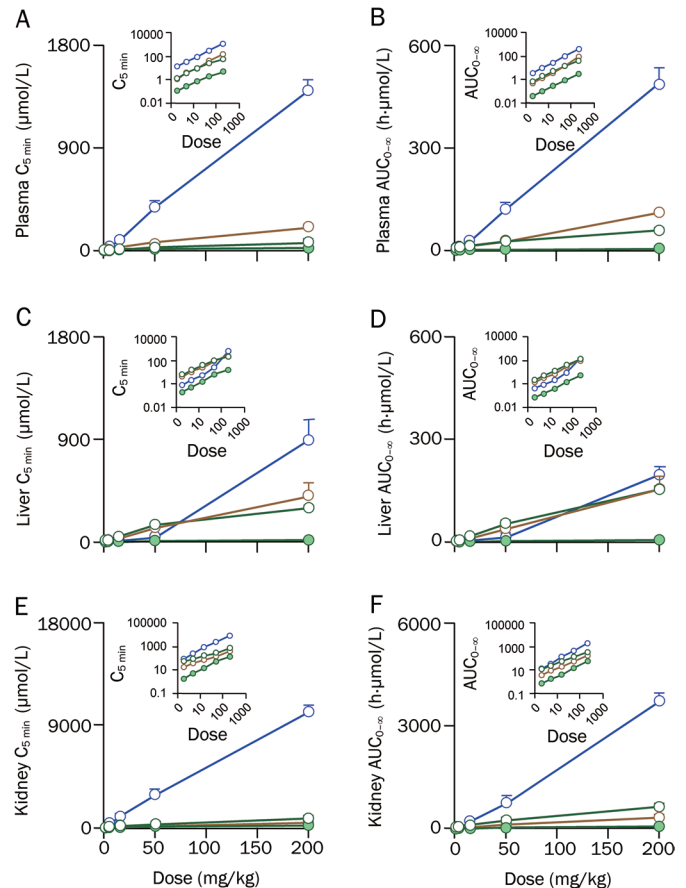


Figure 5. Levels of rat systemic (A and B), liver (C and D), and kidney exposure (E and F) to 3-*O*-methyltanshinol (**M1**; green curves/open circles), 4-*O*-methyltanshinol (**M2**; green curves/solid circles), tanshinol-3-*O*-sulfate (**M7**; brown curves), and tanshinol (blue curves) over iv bolus dose of tanshinol (2–200 mg/kg). The data represent means and standard deviations from an experiment, in which each rat dose group had four sampling times (each in triplicate).

subjects, only two methylated metabolites of tanshinol were detected in plasma and urine after *iv* dosing DanHong injection, a Danshen-containing herbal injection^[47]. Both rat and human COMT favored the 3-*O*-methylation of tanshinol over the 4-*O*-methylation. The methylated metabolites of tanshinol were eliminated via renal excretion, mainly involving OAT- or Oat-mediated tubular secretion. The preceding renal excretion and methylation work in concert but compete with each other; their roles in the elimination of tanshinol depend on the sizes of CL_R and CL_{m-M}. Figure 6 depicts the mechanistic elimination of tanshinol.

Pharmacotherapy for angina pectoris normally involves alleviation of symptoms of myocardial ischemia plus treatment of cardiac risk factors^[48, 49]. In addition to having the desirable pharmacological properties, an ideal antianginal agent should have minimal toxicity and a low propensity to cause drug interactions. These properties are underscored in angina patients, of whom a significant number would have long-term and multiple medications, particularly for effec-

Table 6. Comparative systemic, liver, and kidney exposure to 3-O-methyltanshinol (M1), 4-O-methyltanshinol (M2), tanshinol-3-O-sulfate (M7), and unchanged tanshinol after an iv bolus dose of tanshinol (2–200 mg/kg) in rats.

PK parameter	M1	M2	M7	Tanshinol
An iv dose of tanshinol at 2 mg/kg				
Plasma $C_{5\text{ min}}$ ($\mu\text{mol/L}$)	1.48±0.13	0.10±0.01	1.17±0.28	15.47±1.47
Plasma $AUC_{0-\infty}$ ($\text{h}\cdot\mu\text{mol/L}$)	0.74±0.08	0.04±0.01	0.55±0.01	4.33±0.45
Plasma $t_{1/2}$ (h)	0.37±0.04	0.29±0.05	0.35±0.08	0.21±0.04
Liver $C_{5\text{ min}}$ ($\mu\text{mol/kg}$ wet weight)	7.50±2.08	0.18±0.06	5.14±1.55	0.90±0.10
Liver $AUC_{0-\infty}$ ($\text{h}\cdot\mu\text{mol/kg}$)	2.41±0.41	0.07±0.06	1.45±0.11	0.49±0.14
Liver $t_{1/2}$ (h)	0.14±0.04	0.32±0.04	0.34±0.25	0.36±0.16
Kidney $C_{5\text{ min}}$ ($\mu\text{mol/kg}$ wet weight)	55.65±11.04	3.64±1.13	19.67±4.97	93.17±31.76
Kidney $AUC_{0-\infty}$ ($\text{h}\cdot\mu\text{mol/kg}$)	20.45±4.29	1.13±0.38	6.24±1.86	20.87±6.53
Kidney $t_{1/2}$ (h)	0.31±0.09	0.17±0.02	0.17±0.01	0.13±0.00
An iv dose of tanshinol at 5 mg/kg				
Plasma $C_{5\text{ min}}$ ($\mu\text{mol/L}$)	4.09±0.67	0.25±0.05	4.64±0.65	36.7±2.90
Plasma $AUC_{0-\infty}$ ($\text{h}\cdot\mu\text{mol/L}$)	1.87±0.03	0.11±0.01	1.42±0.19	11.00±0.96
Plasma $t_{1/2}$ (h)	0.31±0.04	0.28±0.00	0.22±0.02	0.33±0.04
Liver $C_{5\text{ min}}$ ($\mu\text{mol/kg}$ wet weight)	19.98±1.80	0.49±0.03	15.45±5.03	2.69±0.44
Liver $AUC_{0-\infty}$ ($\text{h}\cdot\mu\text{mol/kg}$)	6.21±0.93	0.17±0.04	4.03±0.89	0.99±0.16
Liver $t_{1/2}$ (h)	0.15±0.03	0.20±0.03	0.16±0.07	0.20±0.09
Kidney $C_{5\text{ min}}$ ($\mu\text{mol/kg}$ wet weight)	87.17±5.01	5.13±0.81	9.50±6.07	257.18±79.76
Kidney $AUC_{0-\infty}$ ($\text{h}\cdot\mu\text{mol/kg}$)	39.27±1.40	1.85±0.24	14.13±0.89	56.08±11.52
Kidney $t_{1/2}$ (h)	0.32±0.05	0.27±0.08	0.19±0.03	0.17±0.04
An iv dose of tanshinol at 15 mg/kg				
Plasma $C_{5\text{ min}}$ ($\mu\text{mol/L}$)	10.79±1.19	0.70±0.05	10.23±1.51	98.70±17.90
Plasma $AUC_{0-\infty}$ ($\text{h}\cdot\mu\text{mol/L}$)	5.40±0.68	0.30±0.03	3.85±0.27	31.24±5.45
Plasma $t_{1/2}$ (h)	0.30±0.01	0.26±0.04	0.28±0.01	0.30±0.02
Liver $C_{5\text{ min}}$ ($\mu\text{mol/kg}$ wet weight)	50.38±8.52	1.41±0.33	29.23±4.91	6.38±0.73
Liver $AUC_{0-\infty}$ ($\text{h}\cdot\mu\text{mol/kg}$)	15.47±1.75	0.41±0.05	8.15±0.89	2.21±0.21
Liver $t_{1/2}$ (h)	0.15±0.01	0.19±0.01	0.21±0.09	0.16±0.01
Kidney $C_{5\text{ min}}$ ($\mu\text{mol/kg}$ wet weight)	176.33±24.01	10.70±0.95	76.40±1.15	987.67±326.80
Kidney $AUC_{0-\infty}$ ($\text{h}\cdot\mu\text{mol/kg}$)	98.89±2.53	5.22±0.28	33.17±1.07	233.47±81.29
Kidney $t_{1/2}$ (h)	0.30±0.03	0.25±0.04	0.23±0.02	0.25±0.02
An iv dose of tanshinol at 50 mg/kg				
Plasma $C_{5\text{ min}}$ ($\mu\text{mol/L}$)	28.80±3.75	1.93±0.34	49.30±8.13	388.20±48.07
Plasma $AUC_{0-\infty}$ ($\text{h}\cdot\mu\text{mol/L}$)	16.53±1.52	0.96±0.11	16.67±1.70	125.62±22.65
Plasma $t_{1/2}$ (h)	0.32±0.01	0.28±0.01	0.28±0.02	0.28±0.01
Liver $C_{5\text{ min}}$ ($\mu\text{mol/kg}$ wet weight)	146.17±11.47	5.56±0.72	117.00±33.72	34.00±3.23
Liver $AUC_{0-\infty}$ ($\text{h}\cdot\mu\text{mol/kg}$)	50.58±6.08	1.67±0.27	36.30±5.37	11.04±2.21
Liver $t_{1/2}$ (h)	0.30±0.08	0.34±0.17	0.35±0.17	0.49±0.48
Kidney $C_{5\text{ min}}$ ($\mu\text{mol/kg}$ wet weight)	290.33±66.37	18.47±3.56	149.67±38.72	2816.67±636.71
Kidney $AUC_{0-\infty}$ ($\text{h}\cdot\mu\text{mol/kg}$)	219.83±18.62	11.32±1.07	88.75±1.42	739.30±174.64
Kidney $t_{1/2}$ (h)	0.37±0.02	0.32±0.04	0.28±0.02	0.28±0.03
An iv dose of tanshinol at 200 mg/kg				
Plasma $C_{5\text{ min}}$ ($\mu\text{mol/L}$)	64.50±13.92	4.40±1.06	178.00±39.99	1403.47±97.50
Plasma $AUC_{0-\infty}$ ($\text{h}\cdot\mu\text{mol/L}$)	50.00±6.14	3.47±0.50	102.57±17.46	504.09±60.69
Plasma $t_{1/2}$ (h)	0.34±0.05	0.41±0.04	0.24±0.01	0.24±0.01
Liver $C_{5\text{ min}}$ ($\mu\text{mol/kg}$ wet weight)	298.50±23.75	14.68±1.73	399.33±121.92	895.00±173.49
Liver $AUC_{0-\infty}$ ($\text{h}\cdot\mu\text{mol/kg}$)	152.32±13.25	6.12±0.90	153.18±38.80	194.41±24.57
Liver $t_{1/2}$ (h)	0.28±0.04	0.28±0.04	0.36±0.08	0.42±0.08
Kidney $C_{5\text{ min}}$ ($\mu\text{mol/kg}$ wet weight)	808.67±110.64	40.65±4.21	462.33±97.21	10143.33±3109.35
Kidney $AUC_{0-\infty}$ ($\text{h}\cdot\mu\text{mol/kg}$)	614.92±94.98	31.86±2.86	307.91±47.59	3694.33±669.59
Kidney $t_{1/2}$ (h)	0.45±0.20	0.38±0.14	0.38±0.14	0.32±0.14

$C_{5\text{ min}}$, concentration at 5 min after dosing; $AUC_{0-\infty}$, area under the plasma concentration-time curve from zero to infinity; $t_{1/2}$, elimination half-life. Plasma and kidney data of tanshinol were cited from data by Jia et al^[28]. The data represent means±standard deviations from an experiment where each rat group of dose had four points of time (each in triplicate) for sampling.

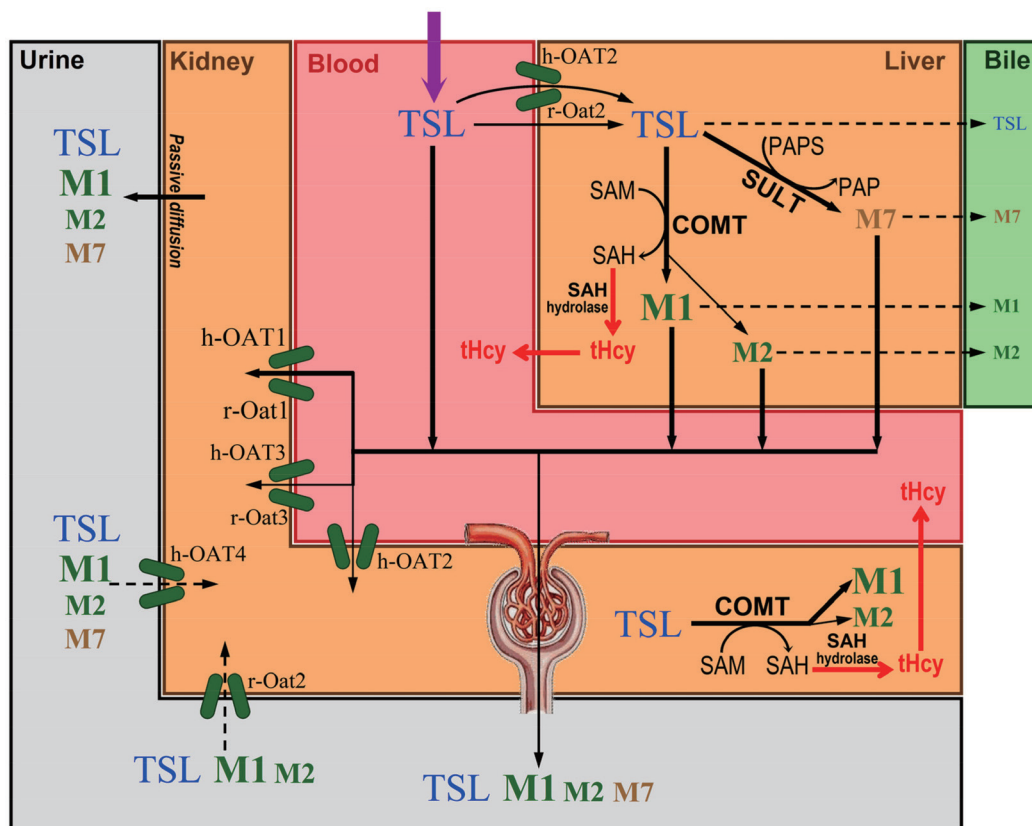


Figure 6. A metabolism/transport map of clearance of tanshinol (TSL). It shows the chemical fate, appearance and disappearance of tanshinol and its metabolites 3-O-methyltanshinol (**M1**), 4-O-methyltanshinol (**M2**), and tanshinol-3-O-sulfate (**M7**) from the principal compartments, and associated drug metabolizing enzymes and drug transporters. COMT, catechol-O-methyltransferase; SAM, S-adenosylmethionine; SAH, S-adenosylhomocysteine; SULT, sulfotransferase; PAPS, 3'-phosphoadenosine-5'-phosphosulphate; PAP, 3'-phosphoadenosine-5'-phosphate; OAT/Oat, organic anion transporter; tHcy, total homocysteine.

tive reduction of progression of the ischemic heart disease. Full hazard identification and risk assessment of tanshinol are essential to support long-term use of the Danshen-based antianginal therapy. Abnormal blood homocysteine concentration, due to an imbalance in the homocysteine generation-elimination relationship, is recognized as a risk factor for cardiovascular diseases and neurodegenerative conditions^[18, 19]. The only known mechanism of homocysteine production involves SAM-dependent compound methylation that produces SAH. The resulting SAH can be converted into homocysteine by SAH hydrolase. Drug methylation may affect the blood concentration of homocysteine^[50]; a typical example is hyperhomocysteinemia induced by chronic levodopa therapy of Parkinson's disease^[22-24]. The levodopa therapy normally involves coadministration of carbidopa, a peripheral dopa decarboxylase inhibitor, to increase brain dopamine levels. However, the inhibition of decarboxylation leads to a shift of levodopa metabolism towards methylation. This shift can enhance SAH generation and induce hyperhomocysteinemia. Like levodopa, tanshinol also has a catechol structure. The full characterization of tanshinol methylation will help to better define the safety of Danshen-based therapy.

The preceding levodopa story suggests that the hyperhomo-

cysteinemia is related to alteration in the extent of levodopa methylation. The extent or magnitude of tanshinol methylation in the body depended on factors such as metabolic capacity of COMT, competition of methylation with other concurrent elimination pathways, and tanshinol dose. Although rat and human soluble COMTs share 80% similarity in amino acid sequences with the active site highly conserved^[51], rat hepatic COMT exhibited lower affinity for tanshinol (K_{mV} 549 $\mu\text{mol/L}$) than human hepatic COMT (51 $\mu\text{mol/L}$). However, the intrinsic metabolic capacity (CL_{int}) for tanshinol methylation in rats was not very different from that in humans (Table 4). This was because the rat COMT had significantly greater V_{max} values (3598 and 378 pmol/mg protein/min for the formation of **M1** and **M2**, respectively) than human COMT (138 and 26 pmol/mg protein/min, respectively). In addition, competition with concurrent renal excretion could counterbalance the influence of interspecies difference in affinity of tanshinol for rat and human COMTs on the extent of tanshinol methylation. After iv administration of the tanshinol-containing DanHong injection, the CL_{m-M} of tanshinol accounted for only 18.1% and 13.7% of its $CL_{tot, p}$ in rats and human subjects, respectively; the CL_R of tanshinol accounted for 54.3% and 63.6%, respectively^[47]. Accordingly, rats could be used to investigate

hyperhomocysteinemia risk related to tanshinol methylation. Rats have been used to study the management of levodopa-induced hyperhomocysteinemia^[52, 53]. The results of the single ascending dose study of iv tanshinol in rats (Figure 5 and Table 6) suggested that the saturation of tanshinol methylation in the liver could be predicted from the K_m for COMT in RLC. Although both the liver concentrations of unchanged tanshinol and **M1** clearly reflected the saturation, only the plasma concentration of **M1**, rather than the plasma concentration of tanshinol, could reflect the saturation. This is because the influence of saturation of tanshinol methylation could be compensated by tanshinol's renal excretion. Tanshinol methylation, rather than sulfation, also took place in the rat kidney. Saturation of tanshinol methylation in the rat kidneys appeared to occur after iv dosing at a low level, because of the action of rat renal Oat1/3. The kidney $C_{5\text{ min}}$ of tanshinol after iv dosing tanshinol at 15 mg/kg exceeded the K_m for COMT in RLC. A similar scenario is expected to take place in humans. To define the risk of hyperhomocysteinemia related to tanshinol methylation, it would be helpful to identify PK markers to reflect the methylation extent or magnitude. Herein, the results of entacapone-impaired and high-dose-saturated methylation of tanshinol suggested that plasma **M1** could be a marker to reflect the change in methylation extent and size. The PK and mechanistic disposition data of tanshinol metabolites might be useful for identification of PK markers in the follow-up toxicological study.

In China, Danshen is extensively used for treatment of angina pectoris; patients receiving Danshen therapies may also receive synthetic antianginal agents. Because tanshinol is a key compound in the Danshen therapy, it is important to fully assess the potential for tanshinol-associated herb-drug interactions. In humans, tanshinol is eliminated primarily via renal excretion (mainly involving OAT-mediated tubular secretion) and COMT-mediated methylation. Because of their broad substrate specificity, these drug transporters and metabolizing enzymes are very likely to be targets for tanshinol-associated herb-drug interactions. The study by Jia *et al* indicated that tanshinol showed low propensity to cause human OAT1/OAT2/OAT3-mediated renal herb-drug interactions and interactions mediated by many other renal transporters^[28]. Like tanshinol, its major metabolite 3-*O*-methyltanshinol (**M1**) was also found to have low affinity for OAT1 (K_m 219 $\mu\text{mol/L}$), OAT2 (2854 $\mu\text{mol/L}$), and OAT3 (871 $\mu\text{mol/L}$), suggesting a low potential for **M1**-perpetrated drug interactions on these renal transporters. Unlike many COMT inhibitors (such as entacapone, tolcapone, and nitecapone; K_i 0.001–0.1 $\mu\text{mol/L}$) and dietary catechol-containing polyphenols (such as levo-epigallocatechin-3-gallate, caffeic acid, and chlorogenic acid; IC_{50} 0.07–3 $\mu\text{mol/L}$)^[54–56], tanshinol exhibited low affinity for human COMT (K_m 51 $\mu\text{mol/L}$). In rats, the entacapone-impaired methylation of tanshinol did not significantly influence the systemic exposure to unchanged tanshinol, due to compensation by the sulfation and renal excretion of tanshinol. A similar scenario is expected to take place in humans because the renal excretion of tanshinol is also very extensive, like the

renal excretion in rats. These data suggested that tanshinol probably had a low propensity as an inhibitory perpetrator or as a substrate victim to cause COMT-mediated herb-drug interactions at clinically relevant concentrations. In addition, it was also necessary to evaluate possible herb-drug interactions that were perpetrated by tanshinol and **M1** on other human drug-metabolizing enzymes and transporters, which are relevant to the elimination of synthetic antianginal agents. Tanshinol and **M1** had very little or no inhibitory activities against human P450 enzymes, OATP1B1, OATP1B3, MDR1, MRP2, and BCRP. Taken together, tanshinol and its major human metabolite had low propensity to cause interactions with synthetic antianginal agents.

In summary, methylation, preferentially in the 3-hydroxyl group, was the major metabolic pathway of tanshinol. Tanshinol also underwent considerable sulfation in rats, but this sulfation appeared to be poor in the human liver. The tanshinol metabolites were mainly eliminated via renal excretion, which appeared to mainly involve OAT1-mediated tubular secretion. Methylated tanshinol had no vasodilatory activity; the overall antianginal effect of tanshinol might be attributed primarily to unchanged tanshinol. Entacapone-impaired methylation did not considerably increase systemic exposure to tanshinol in rats. Saturation of tanshinol methylation in the liver could be predicted from the K_m value for COMT. Tanshinol and its major human metabolite had low potential for PK interaction with synthetic antianginal agents. Full hazard identification and risk assessment of tanshinol are essential to support long-term use of the Danshen-based antianginal therapy; the current study will help define the risk of hyperhomocysteinemia related to tanshinol methylation. Tanshinol was reported to exhibit endothelial protection against homocysteine-induced injury; the current study will also improve understanding of this pharmacological property of tanshinol.

Acknowledgements

This work was funded by grants from the National Natural Science Foundation of China for Distinguished Young Scholars (30925044), the National Science & Technology Major Project of China 'Key New Drug Creation and Manufacturing Program' (2009ZX09304-002) and the National Basic Research Program of China (2012CB518403). This work was presented in part as a poster presentation at the 10th International ISSX Meeting, Toronto, Canada, September 29 – October 3, 2013: Yang JL *et al*, Metabolism of and its impact on systemic exposure to tanshinol, a vasoactive compound from of *Salvia miltiorrhiza* roots (Danshen), in rats.

Author contribution

Chuan LI, Jun-ling YANG, and Dan-dan TIAN designed the research; Dan-dan TIAN, Jun-ling YANG, Wei-wei JIA, Xin-wei LIU, Dan-dan WANG, Jun-hua LIU, Jia-jia DONG, Li LI, Fei-fei DU, Fang XU, Feng-qing WANG, Yan SUN, Yu-xing HUANG, Mei-juan Li, Li-hong HU, Yan ZHU, and Xiu-mei GAO performed the research; Chuan LI, Jun-ling YANG, and Dan-dan TIAN analyzed data; and Chuan LI, Jun-ling YANG,

and Dan-dan TIAN wrote the paper.

Supplementary information

Supplementary information is available at website of Acta Pharmacologica Sinica. Figure S1 LC-MS chromatograms and MS^E spectra of tanshinol and its metabolites.

References

- Zhou LM, Zuo Z, Chow MSS. Danshen: an overview of its chemistry, pharmacology, pharmacokinetics, and clinical use. *J Clin Pharmacol* 2005; 45: 1345–59.
- Cheng TO. Cardiovascular effects of Danshen. *Int J Cardiol* 2007; 121: 9–22.
- Jia YL, Huang FY, Zhang SK, Leung SW. Is danshen (*Salvia miltiorrhiza*) dripping pill more effective than isosorbide dinitrate in treating angina pectoris? A systematic review of randomized controlled trials. *Int J Cardiol* 2012; 157: 330–40.
- Chan K, Chui SH, Wong DY, Ha WY, Chan CL, Wong RNS. Protective effects of Danshensu from the aqueous extract of *Salvia miltiorrhiza* (Danshen) against homocysteine-induced endothelial dysfunction. *Life Sci* 2004; 75: 3157–71.
- Lam FF, Yeung JH, Chan KM, Or PM. Relaxant effects of danshen aqueous extract and its constituent danshensu on rat coronary artery are mediated by inhibition of calcium channels. *Vascul Pharmacol* 2007; 46: 271–7.
- Cao YG, Chai JG, Chen YC, Zhao J, Zhou J, Shao JP, et al. Beneficial effects of danshensu, an active component of *Salvia miltiorrhiza*, on homocysteine metabolism via the trans-sulphuration pathway in rats. *Br J Pharmacol* 2009; 157: 482–90.
- Yang RX, Huang SY, Yan FF, Lu XT, Xing YF, Liu Y, et al. Danshensu protects vascular endothelia in a rat model of hyperhomocysteinemia. *Acta Pharmacol Sin* 2010; 31: 1395–400.
- Zhou X, Chan SW, Tseng HL, Deng Y, Hoi PM, Choi PS, et al. Danshensu is the major marker for the antioxidant and vasorelaxation effects of Danshen (*Salvia miltiorrhiza*) water-extracts produced by different heat water-extractions. *Phytomedicine* 2012; 19: 1263–9.
- Wang DD, Fan GW, Wang YF, Liu HT, Wang BY, Dong J, et al. Vascular reactivity screen of Chinese medicine danhong injection identifies Danshensu as a NO-independent but PGI2-mediated relaxation factor. *J Cardiovasc Pharmacol* 2013; 62: 457–65.
- Han JY, Fan JY, Horie Y, Miura S, Cui DH, Ishii H, et al. Ameliorating effects of compounds derived from *Salvia miltiorrhiza* root extract on microcirculatory disturbance and target organ injury by ischemia and reperfusion. *Pharmacol Ther* 2008; 117: 280–95.
- Wang F, Liu YY, Liu LY, Zeng QJ, Wang CS, Sun K, et al. The attenuation effect of 3,4-dihydroxy-phenyl lactic acid and salvianolic acid B on venular thrombosis induced in rat mesentery by photochemical reaction. *Clin Hemorheol Microcirc* 2009; 42: 7–18.
- Tang YQ, Wang MH, Chen CL, Le XY, Sun SJ, Yin YM. Cardiovascular protection with danshensu in spontaneously hypertensive rats. *Biol Pharm Bull* 2011; 34: 1596–601.
- Lu T, Yang JL, Gao XM, Chen P, Du FF, Sun Y, et al. Plasma and urinary tanshinol from *Salvia miltiorrhiza* (Danshen) can be used as pharmacokinetic markers for cardioprotective pills, a cardiovascular herbal medicine. *Drug Metab Dispos* 2008; 36: 1578–86.
- Gao YL, Liu ZF, Li GS, Li CM, Li M, Li BF. Acute and subchronic toxicity of danshensu in mice and rats. *Toxicol Mech Methods* 2009; 19: 363–8.
- Li GS, Gao YL, Li SJ, Li CM, Zhu XY, Li M, et al. Study on toxicity of danshensu in beagle dogs after 3-month continuous intravenous infusion. *Toxicol Mech Methods* 2009; 19: 441–6.
- Zhang ZC, Xu M, Sun SF, Qiao X, Wang BR, Han J, et al. Metabolic analysis of four phenolic acids in rat by liquid chromatography-tandem mass spectrometry. *J Chromatogr B* 2008; 871: 7–14.
- Brosnan JT, Brosnan ME. The sulfur-containing amino acids: an overview. *J Nutr* 2006; 136: 1636S–40S.
- McCully KS. Homocysteine, vitamins, and vascular disease prevention. *Am J Clin Nutr* 2007; 86: 1563S–8S.
- Smith AD, Smith SM, de Jager CA, Whitbread P, Johnston C, Agacinski G, et al. Homocysteine-lowering by B vitamins slows the rate of accelerated brain atrophy in mild cognitive impairment: a randomized controlled trial. *PLoS ONE* 2010; 5: e12244.
- Zhu BT. Catechol-O-methyltransferase (COMT)-mediated methylation metabolism of endogenous bioactive catechols and modulation by endobiotics and xenobiotics: importance in pathophysiology and pathogenesis. *Curr Drug Metab* 2002; 3: 321–49.
- Stead LM, Jacobs RL, Brosnan ME, Brosnan JT. Methylation demand and homocysteine metabolism. *Adv Enzyme Regul* 2004; 44: 321–33.
- Kuhn W, Roebroek R, Blom H, van Oppenraaij D, Müller T. Hyperhomocysteinemia in Parkinson's disease. *J Neurol* 1998; 245: 811–2.
- Müller T, Werne B, Fowler B, Kuhn W. Nigral endothelial dysfunction, homocysteine, and Parkinson's disease. *Lancet* 1999; 354: 126–7.
- Miller JW, Selhub J, Nadeau MR, Thomas CA, Feldman RG, Wolf PA. Effect of L-dopa on plasma homocysteine in PD patients, relationship to B-vitamin status. *Neurology* 2003; 60: 1125–9.
- Chen F, Li L, Xu F, Sun Y, Du FF, Ma XT, et al. Systemic and cerebral exposure to and pharmacokinetics of flavonols and terpene lactones after dosing standardized *Ginkgo biloba* leaf extracts to rats via different routes of administration. *Br J Pharmacol* 2013; 170: 440–57.
- Cheng C, Liu XW, Du FF, Li MJ, Xu F, Wang FQ, et al. Sensitive assay for measurement of volatile borneol, isoborneol, and the metabolite camphor in rat pharmacokinetic study of *Borneolum* (Bingpian) and *Borneolum syntheticum* (synthetic Bingpian). *Acta Pharmacol Sin* 2013; 34: 1337–48.
- Reagan-Shaw S, Nihal M, Ahmad N. Dose translation from animal to human studies revisited. *FASEB J* 2008; 22: 659–61.
- Jia WW, Du FF, Liu XW, Jiang RR, Xu F, Yang JL, et al. Renal tubular secretion of tanshinol: molecular mechanism, impact on its systemic exposure, and propensity for dose-related nephrotoxicity and renal herb-drug interactions. *Drug Metab Dispos* 2015; 43: 669–78.
- Li L, Zhao YS, Du FF, Yang JL, Xu F, Niu W, et al. Intestinal absorption and presystemic elimination of various chemical constituents present in GBE50 extract, a standardized extract of *Ginkgo biloba* leaves. *Curr Drug Metab* 2012; 13: 494–509.
- Yang JL, He MM, Niu W, Wrighton SA, Li L, Liu Y, et al. Metabolic capabilities of cytochrome P450 enzymes in Chinese liver microsomes compared with those in Caucasian liver microsomes. *Br J Clin Pharmacol* 2012; 73: 268–84.
- Jiang RR, Dong JJ, Li XX, Du FF, Jia WW, Xu F, et al. Molecular mechanisms governing differential pharmacokinetics of ginsenosides and potential for ginsenoside-perpetrated herb-drug interactions on human OATP1B3. *Br J Pharmacol* 2015; 172: 1059–73.
- Yasuda S, Yasuda T, Hui Y, Liu MY, Suiko M, Sakakibara Y, et al. Concerted action of the cytosolic sulfotransferase, SUL1A3, and catechol-O-methyltransferase in the metabolism of dopamine in SK-N-MC human neuroblastoma cells. *Neurosci Res* 2009; 64: 273–9.
- Kurogi K, Alazizi A, Liu MY, Sakakibara Y, Suiko M, Sugahara T, et al. Concerted actions of the catechol-O-methyltransferase and the

- cytosolic sulfotransferase *SULT1A3* in the metabolism of catecholic drugs. *Biochem Pharmacol* 2012; 84: 1186–95.
- 34 Riches Z, Stanley EL, Bloomer JC, Coughtrie MWH. Quantitative evaluation of the expression and activity of five major sulfotransferases (SULTs) in human tissues: the SULT “pie”. *Drug Metab Dispos* 2009; 37: 2255–61.
- 35 Guo B, Li C, Wang GJ, Chen LS. Rapid and direct measurement of free concentrations of highly protein-bound fluoxetine and its metabolite norfluoxetine in plasma. *Rapid Commun Mass Spectrom* 2006; 20: 39–47.
- 36 Isoherranen N, Hachad H, Yeung CK, Levy RH. Qualitative analysis of the role of metabolites in inhibitory drug-drug interactions: literature evaluation based on the metabolism and transport drug interaction database. *Chem Res Toxicol* 2009; 22: 294–8.
- 37 Yeung CK, Fujioka Y, Hachad H, Levy RH, Isoherranen N. Are circulating metabolites important in drug-drug interaction? Quantitative analysis of risk prediction and inhibitory potency. *Clin Pharmacol Ther* 2011; 89: 105–13.
- 38 Loi CM, Smith DA, Dalvie D. Which metabolites circulate? *Drug Metab Dispos* 2013; 41: 933–51.
- 39 Yu HB, Tweedie D. A perspective on the contribution of metabolites to drug-drug interaction potential: the need to consider both circulating levels and inhibition potency. *Drug Metab Dispos* 2013; 41: 536–40.
- 40 Zamek-Gliszczyński MJ, Chu XY, Polli JW, Paine MF, Galetin A. Understanding the transport properties of metabolites: case studies and considerations for drug development. *Drug Metab Dispos* 2014; 42: 650–64.
- 41 Michel T. Treatment of myocardial ischemia. In: Brunton LL, Lazo JS, Parker KL, editors *Goodman & Gilman's The Pharmacological Basis of Therapeutics*. McGraw-Hill, New York; 2006. p 823–44.
- 42 Tachjian A, Maria V, Jahangir A. Use of herbal products and potential interactions in patients with cardiovascular diseases. *J Am Coll Cardiol* 2010; 55: 515–25.
- 43 Scheen AJ. Cytochrome P450-mediated cardiovascular drug interactions. *Expert Opin Drug Metab Toxicol* 2011; 7: 1065–82.
- 44 Forester SC, Lambert JD. Synergistic inhibition of lung cancer cell lines by (–)-epigallocatechin-3-gallate in combination with clinically used nitrocatechol inhibitors of catechol-O-methyltransferase. *Carcinogenesis* 2014; 35: 365–72.
- 45 Singh R and Hu M. Drug metabolism in gastrointestinal tract. In: Hu M, Li XL, editors. *Oral bioavailability: basic principles, advanced concepts, and applications*. Hoboken (NJ, USA): John Wiley & Sons, Inc; 2011. p 129–39.
- 46 Bonifati V, Mecocci G. New, selective catechol-O-methyltransferase inhibitors as therapeutic agents in Parkinson's disease. *Pharmacol Ther* 1999; 81: 1–36.
- 47 Li MJ, Wang FQ, Huang YH, Du FF, Zhong CC, Olaleye OE, et al. Systemic exposure to and disposition of catechols, derived from *Salvia miltiorrhiza* roots (Danshen), after intravenous administration of DanHong injection in human subjects, rats, and dogs. *Drug Metab Dispos* 2015; 43: 679–90.
- 48 O'Flynn N, Timmis A, Henderson R, Rajesh S, Fenu E. Management of stable angina: summary of NICE guidance. *Br Med J* 2011; 343: d4147.
- 49 Siama K, Tousoulis D, Papageorgiou N, Siasos G, Tsiamis E, Bakogiannis C, et al. Stable angina pectoris: current medical treatment. *Curr Pharm Des* 2013; 19: 1569–80.
- 50 Dierkes J, Westphal S. Effect of drugs on homocysteine concentrations. *Semin Vasc Med* 2005; 5: 124–39.
- 51 Lundström K, Salminen M, Jalanko A, Savolainen R, Ulmanen I. Cloning and characterization of human placental catechol-O-methyltransferase cDNA. *DNA Cell Biol* 1991; 10: 181–9.
- 52 Daly D, Miller JW, Nadeau MR, Selhub J. The effect of L-dopa administration and folate deficiency on plasma homocysteine concentrations in rats. *J Nutr Biochem* 1997; 8: 634–40.
- 53 Nissinen E, Nissinen H, Larjona H, Väänänen A, Helkama T, Reenilä I, et al. The COMT inhibitor, entacapone, reduces levodopa-induced elevations in plasma homocysteine in healthy adult rats. *J Neural Transm* 2005; 112: 1213–21.
- 54 Männistö PT, KaaKKola S. Catechol-O-methyltransferase (COMT): biochemistry molecular biology, pharmacology, and clinical efficacy of the new selective COMT inhibitors. *Pharmacol Rev* 1999; 51: 593–628.
- 55 Chen DP, Wang CY, Lambert JD, Ai N, Welsh WJ, Yang CS. Inhibition of human liver catechol-O-methyltransferase by tea catechins and their metabolites: structure-activity relationship and molecular-modeling studies. *Biochem Pharmacol* 2005; 69: 1523–31.
- 56 Lee WJ, Zhu BT. Inhibition of DNA methylation by caffeic acid and chlorogenic acid, two common catechol-containing coffee polyphenols. *Carcinogenesis* 2006; 27: 269–77.



This work is licensed under the Creative Commons Attribution-NonCommercial-No Derivative Works 3.0 Unported License. To view a copy of this license, visit <http://creativecommons.org/licenses/by-nc-nd/3.0/>