

ADSBET2: Automated Determination of Salt-Bridge Energy-Terms version 2

Arnab Nayek#, Parth Sarthi Sen Gupta#, Shyamashree Banerjee#, Vishma Pratap Sur, Pratyay Seth, Sunit Das, Rifat Nawaz Ul Islam, & Amal Kumar Bandyopadhyay*

¹Department of Biotechnology, The University of Burdwan, Golapbag, Burdwan, 713104, West Bengal, India; Amal Kumar Bandyopadhyay – Email: akbanerjee@biotech.buruniv.ac.in; Phone - +91-342-2657231(O), 9474723882(M), Fax - +91-3422657231;

*Corresponding author

#Authors equally contributed

Received August 05, 2015; Accepted August 17, 2015; Published August 31, 2015

Abstract:

Component (bridge: $\Delta\Delta G_{brd}$, background: $\Delta\Delta G_{prot}$, desolvation: $\Delta\Delta G_{dsolv}$) and net ($\Delta\Delta G_{net}$) energy-terms of salt-bridge-structure (SBS) are auto-generated by the program ADSBET that makes use of general purpose Adaptive Poisson Boltzmann Solver (APBS) method. While the procedure reports gross energy terms ($Kcal Mol^{-1}$), report on bond-multiplicity corrected normalized energy-terms ($Kcal Mol^{-1} Bond^{-1}$) along with their accessibility (ASA) in monomer, isolated-SBS (ISBS) and networked-SBS (NSBS) format would be very useful for statistical comparison among SBSs and understanding their location in protein structure. In this end, ADSBET2 potentially incorporates these features along with additional model for side-chain. Gross and normalized energy-terms are redirected in monomer, ISBS and NSBS format along with their ASA informations. It works on any number of SBSs for any number of structure files present in a database. Taken together, ADSBET2 has been suitable for statistical analyses of SBSs energetics and finds applications in protein engineering and structural bioinformatics.

Availability: ADSBET2 is freely available at <http://sourceforge.net/projects/ADSBET2/> for all users.

Keywords: Energy terms, Networked, Isolated, Salt Bridge, ASA, $Kcal Mol^{-1}Bond^{-1}$

Background:

Salt-bridge, electrostatic interactions between partial charges of side-chain of acidic and basic residues, plays crucial role in stability and packing of protein. It is more so for proteins adapted in extreme environments [1]. Use of general purpose integrators of Poisson Boltzmann Equation such as open-source Adaptive Poisson Boltzmann Solver (APBS) [2] is the only means over experimental pKa or double-mutational cycle methods [3] to compute overall components (i.e. bridge-energy: $\Delta\Delta G_{brd}$, background-energy: $\Delta\Delta G_{prot}$, desolvation-energy: $\Delta\Delta G_{dsolv}$) and net-energy ($\Delta\Delta G_{net}$) terms of SBS [4, 5]. However, relative to other applications of the solver, computation of energy-terms of SBS is highly labor intensive that includes

determination of protein-specific a] and residue specific salt bridges or ion-pairs [6, 7], b] grid-points, c] grid center and d] hydrophobic-isosteres-mediated mutation-files (five per SBS) from original protein-charge-radius (PQR) file [8] prior computation. Further in post-computation scenario, great deals of manual involvement are also necessary to obtain i] energy-terms from reaction field energies and relevant choice of partial atomic charges [9] and ii] side-chains-specific accessibility of SBS. While ADSBET [10] performs all these pre and post-run computations, it has few short-comings. Firstly it does not report bond multiplicity corrected normalized energy-terms ($EnergyBond^{-1}SBS^{-1}$) in monomer, ISBS and NSBS format which would be necessary for comparison among SBSs

present in a database. While, for example, comparable net energy-terms for *ISBS* (in *S1* and *S2* of **Figure 1**: FII) are *E1* and *E2/2* and that for *NSBS* (in *N1* and *N2* of **Figure 1**: FII) are (*E3+E4*) and (*E5/2+E6/2*) respectively, ADSBET only reports *E1*, *E2*, *E3*, *E4*, *E5* and *E6* in monomer format. Secondly it does not inform side-chain model-specific accessibility [10] which would be crucial for understanding surface and core location of *SBS* [5, 6] (**Figure 1**: *p*). Finally as far as models for side-chains of

interacting partner of *SBS* are concerned, only a less popular model (i.e. *MDL-1*) is available in ADSBET [10] (**Figure 1**). In this context, ADSBET2 potentially includes all these features along with popular additional model of side chain (i.e. *MDL-2*). When opted, it reports side-chain *ASA* by the use of either of three alternative methods.

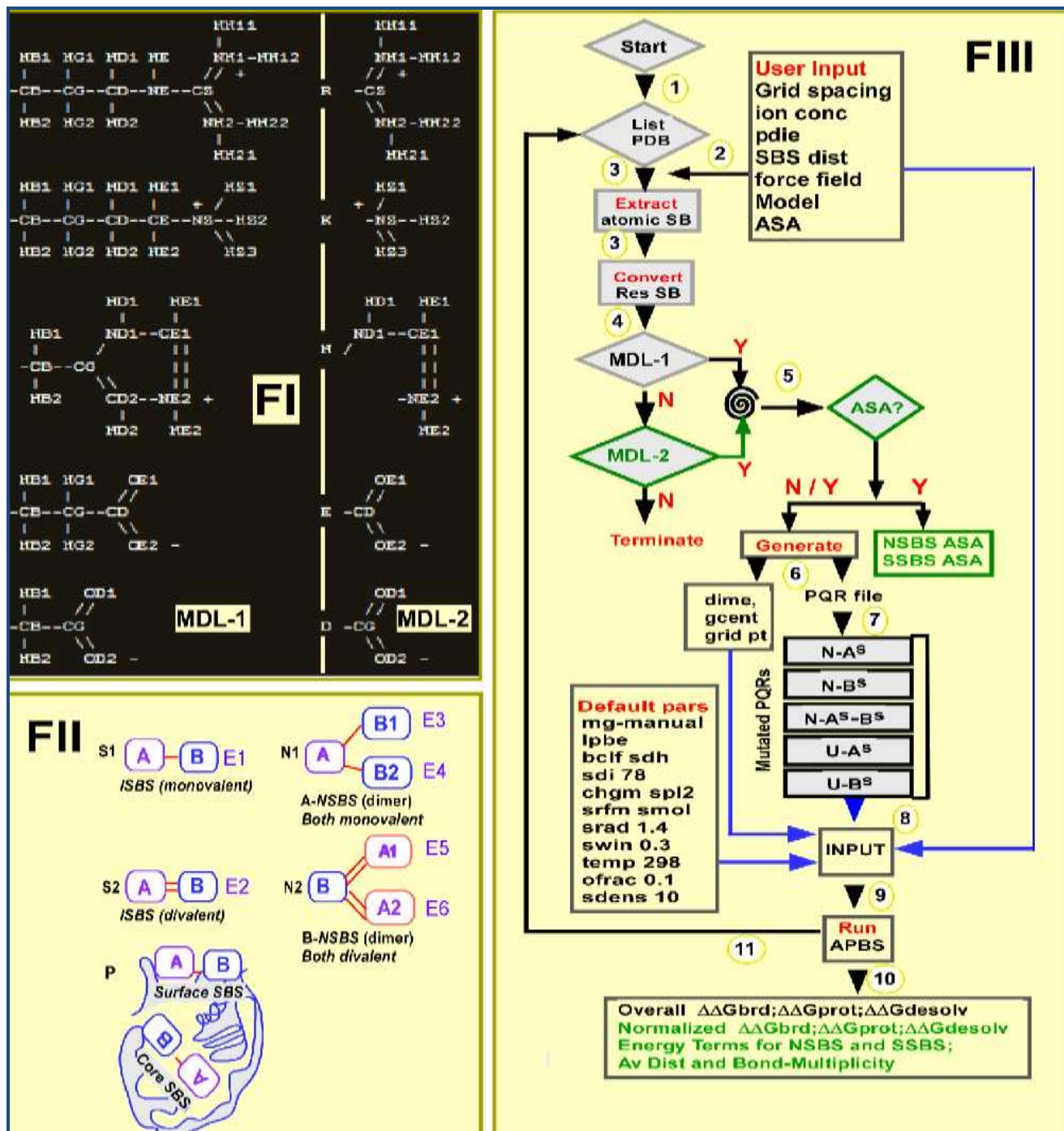


Figure 1: Model-based side-chains (FI), different SBS (FII) and flow-chart (FIII) for ADSBET2. *MDL-1* and *MDL-2* are used in model-1 and model-2 respectively. *S1* (energy *E1*) and *N1* (energy *E3* and *E4*) are single-bonded isolated and networked *SBS*. *S2* (energy *E2*) and *N2* (energy *E5* and *E6*) are multiple-bonded isolated and networked *SBS*. *P* shows core and surface location of *SBS*. In FIII, *N-A^S* and *U-A^S* are acidic side-chains in folded and unfolded state of protein respectively. Additional features in ADSBET2 over its earlier version are shown in green color.

Method of computation of $\Delta\Delta G_{brd}$, $\Delta\Delta G_{prot}$, $\Delta\Delta G_{dsolv}$ and $\Delta\Delta G_{net}$ remains similar as earlier [10]. Detailed methods also precede analytical result of each item of outputs. Normalized energy-terms of each monomeric SBS are obtained by dividing these terms by their bond-multiplicity (Figure 1: FII, S2, and N2). When opted, accessibility (hence surface and core location) of SBS is computed. Overall and normalized energy-terms for NSBS are obtained by summing energy-terms of all monomeric cases having either a common acidic (A-NSBS: FII N1) or basic (B-NSBS: FII N2) partner in a SBS (thus forming dimer, trimer etc). Apart from MDL-1 of ADSBET [10], ADSBET2 utilizes additional most-popular model for side chains i.e. MDL-2 (Figure 1: FI). Operational details of the program includes following sequence of events: a] make list of x-ray files in PDB format (Figure 1: FIII), b] uptake user's parameters from command line, c] extract atomic SBS and then convert them into residue-specific SBS, d] select model of side-chain, e] select accessibility mode and method, f] Generate force-field dependent PQR-file and protein-specific APBS-parameters (such as dime, gcent, grid-points, ionic-strength and pH), g] generate 5 relevant mutated-POR-files per SBS, h] prepare input-file for APBS using user, default, generated parameters and mutated PQRs, i] run APBS, j] redirect output and k] repeat the process for other SBSs and PDBs.

```

Salt-Bridge 4 of 4] APBS INPUT: apbs_IDOI_64_53.in
Bond-multiplicity = 4 Av DIST = 3.01

SB Energy:      TOTAL          NORMALIZED   ASA
ddGdesolv=  9.88 kcal/mol |  2.47 kcal/mol
ddGbrd=-13.14 kcal/mol | -3.28 kcal/mol
ddGprot-I= -0.46 kcal/mol | -0.12 kcal/mol
ddGprot-II=  0.99 kcal/mol |  0.25 kcal/mol
ddGnet-I= -3.72 kcal/mol | -0.93 kcal/mol
ddGnet-II= -2.26 kcal/mol | -0.57 kcal/mol  20.52
1913 atom processed using DEFAULT pars... done 4

Result file:
General output: all_sb_eng_table.xls
Formatted output: NSBS_ISBS_FORMAT.xls
    
```

Figure 2: Total and normalized energy terms along with named outputs. Bond-multiplicity, Av DIST and ASA are also reported. ddGprot-I [4] and ddGprot-II [5] (hence ddGnet-I and ddGnet-II respectively) are background energies of model based side chains of non-SBS residues.

Program input

Poisson Boltzmann Equation solvers (such as APBS) require multi-parameters input for generation of reaction field energy [2]. Thus, apart from PDB-files in the working directory users

need to input parameters (Figure 1: FIII: User Input) such as model for side-chain (F1), ASA method, grid-spacing, pH, mobile ion concentration (in Molar), dielectric constant of protein, salt-bridge or ion-pair distance and force-field. Protein specific parameters (such as dime, gcent and grid-points) are auto-generated by the program and other parameters are used as default (Figure 1: FIII: Default pars) if not mentioned otherwise.

Program output

Details of SBS-energetics and accessibility for any number of SBS in any number of PDBs are redirected into two different named-outputs. Unlike ADSBET [10], ADSBET2 redirects most relevant model-based additional output (Figure 1: FIII: Green color parts) on overall and normalized energetics in monomer, ISBS and NSBS format along with their core and surface location informations (Figure 2).

Caveats and future development:

The program which is interpreted by AWK programming language is tested to run in the OS: CYGWIN (32 bit). We further are working to develop GUI-based version of the program.

Conclusion:

ADSBET2, interpreted by AWK programming language, produces model-based overall and normalized SBS-energetics in monomer, ISBS and NSBS formats along with their accessibility information for any member of X-ray structure files with any number of SBSs in them. These results are useful for statistical comparison of SBS-energetics of candidate salt-bridges or ion-pairs present in a database.

References:

- [1] Bandyopadhyay AK *et al.* *Extremophiles* 2007 **11**: 615 [PMID: 17406782]
- [2] Baker NA *et al.* *Proc Natl Acad Sci USA*. 2001 **98**: 10037 [PMID: 11517324]
- [3] Bosshard HR *et al.* *J Mol Recog.* 2004 **17**: 1 [PMID: 14872533]
- [4] Nayek A *et al.* *Plos one* 2014 **9**: e93862 [PMID: 24743799]
- [5] Kumar S & Nussinov R, *J Mol Biol.* 1999 **293**: 1241 [PMID: 10547298]
- [6] Gupta PS *et al.* *Bioinformatics* 2014 **10**: 105 [PMID: 24616564]
- [7] Gupta PS *et al.* *Bioinformatics* 2015 **11**: 39 [PMID: 25780279]
- [8] Dolinsky TJ *et al.* *Nucleic Acids Res.* 2004 **32**: W665 [PMID: 15215472]
- [9] Hendsch ZS & Tidore B, *Protein Sci.* 1994 **3**: 211 [PMID: 8003958]
- [10] Nayek A *et al.* *IJIPLS* 2015 **5**: 28

Edited by P Kanguane

Citation: Nayek *et al.* *Bioinformatics* 11(8): 413-415 (2015)

License statement: This is an Open Access article which permits unrestricted use, distribution, and reproduction in any medium, provided the original work is properly credited. This is distributed under the terms of the Creative Commons Attribution License.